



EFM32 Happy Gecko STK

Board Function	Page
Title Page	1
User Interface	2
EFM32 Signal Assignments	3
EFM32 Power & USB	4
EFM32 I/O	5
STK Board Controller	6
AEM - Current Sense	7
AEM - Gain stages	8
Debug Interface	9
Power & Misc	10

Revision History

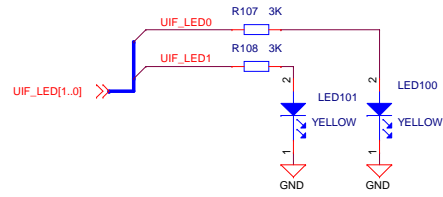
Rev.	Description
A00	First production release.
B00	Updated Board Controller pin-out.
B01	Minor update to secondary (target USB) AEM channel.



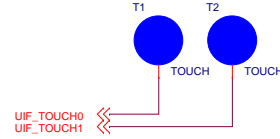
EFM32 HG STK

<p>SILICON LABS</p>		Schematic Title	
		EFM32 Happy Gecko Starter Kit	
Designed: DDB		Approved: JNO	
Page Title		Title Page	
Size: A3	BOM Doc No: <Cage Code>	Document number	Revision
		BRD2012A	B01
Design Created Date:	Sheet Created Date	Sheet Modified Date	Sheet
Wednesday, December 03, 2008	Saturday, March 21, 2009	Wednesday, April 08, 2015	1 of 10

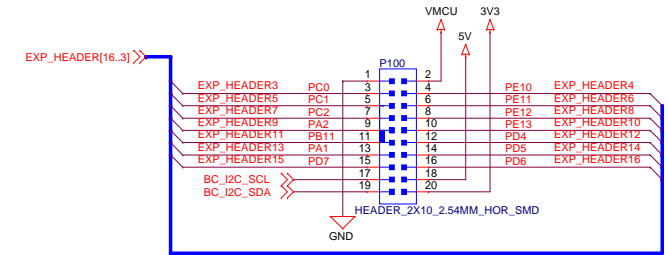
User LEDs



Touch Pads



EXP Header

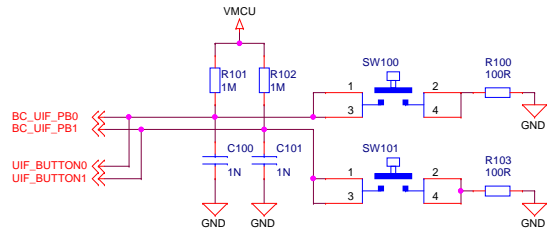


EXP-Header Functionality

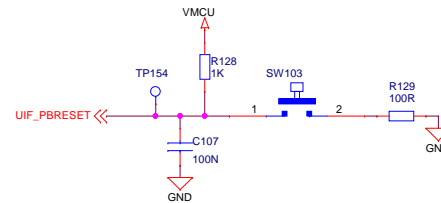
1	GND		
3	PC0		ACMP0_CH0
5	PC1		ACMP0_CH1
7	PC2		ACMP0_CH2
9	PA2		
11	PB11		IDAC0_OUT
13	PA1		
15	PD7	I2C0_SCL	ADC0_CH7
17			Reserved for EXP Board Identification
19			Reserved for EXP Board Identification

2	VMCU		
4	PE10	US0_TX	
6	PE11	US0_RX	
8	PE12	US0_CLK	ADC0_CH0
10	PE13	US0_CS	ADC0_CH1
12	PD4	LEU0_TX	ADC0_CH4
14	PD5	LEU0_RX	ADC0_CH5
16	PD6	I2C0_SDA	ADC0_CH6
18	5V		
20	3V3		

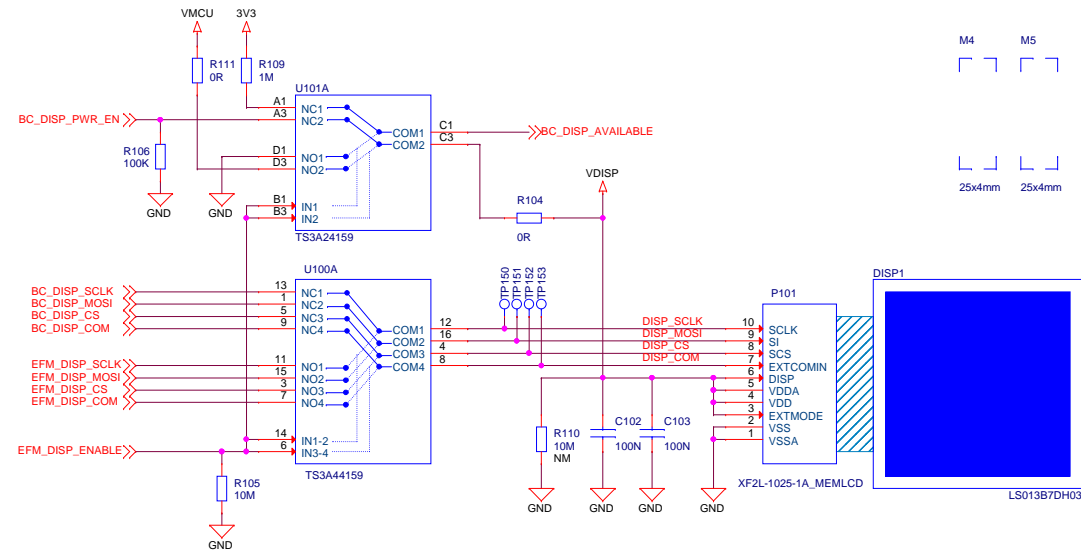
User Pushbuttons



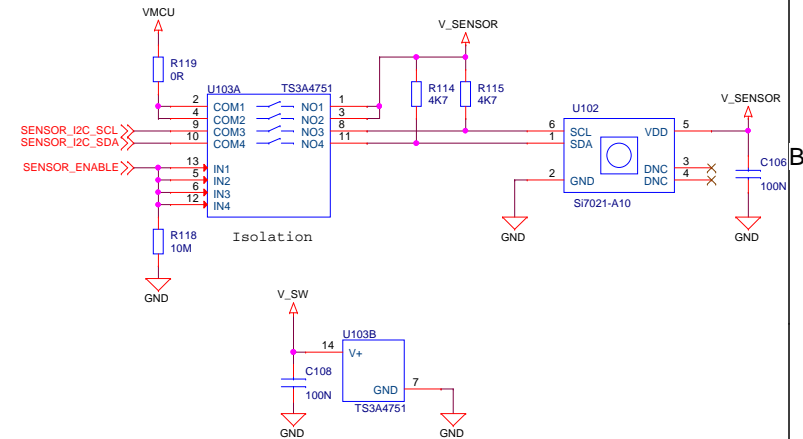
RESET Pushbutton



Memory LCD-TFT Display & Multiplexer



Relative Humidity & Temperature Sensor

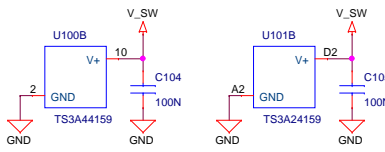


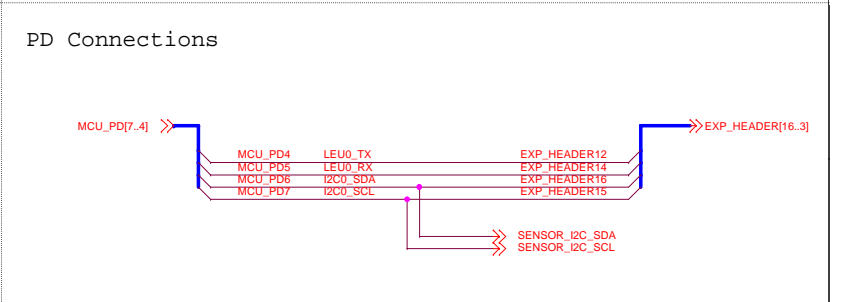
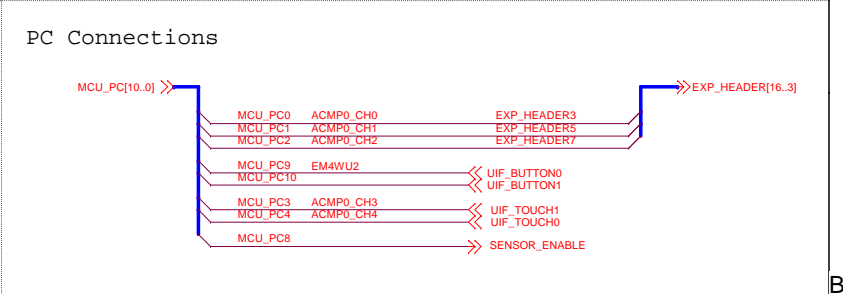
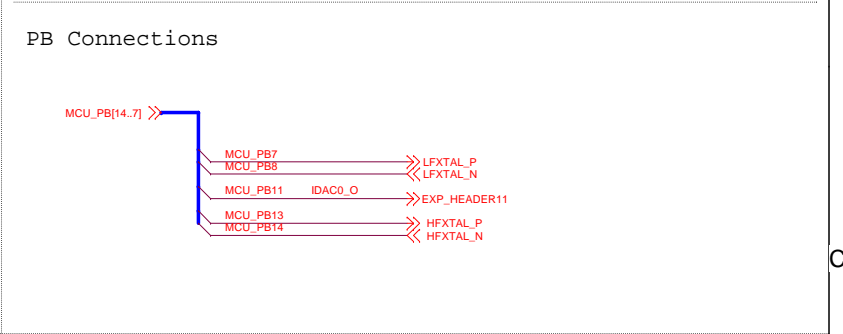
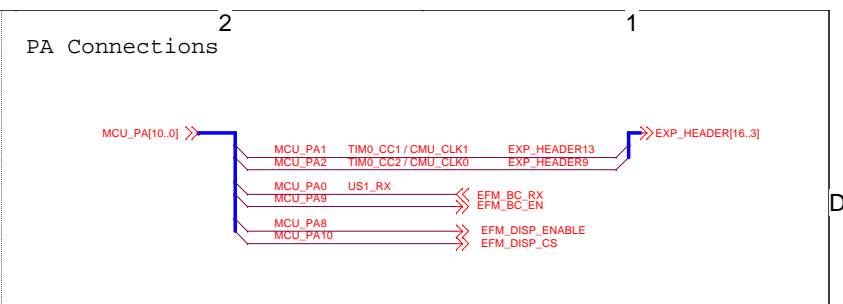
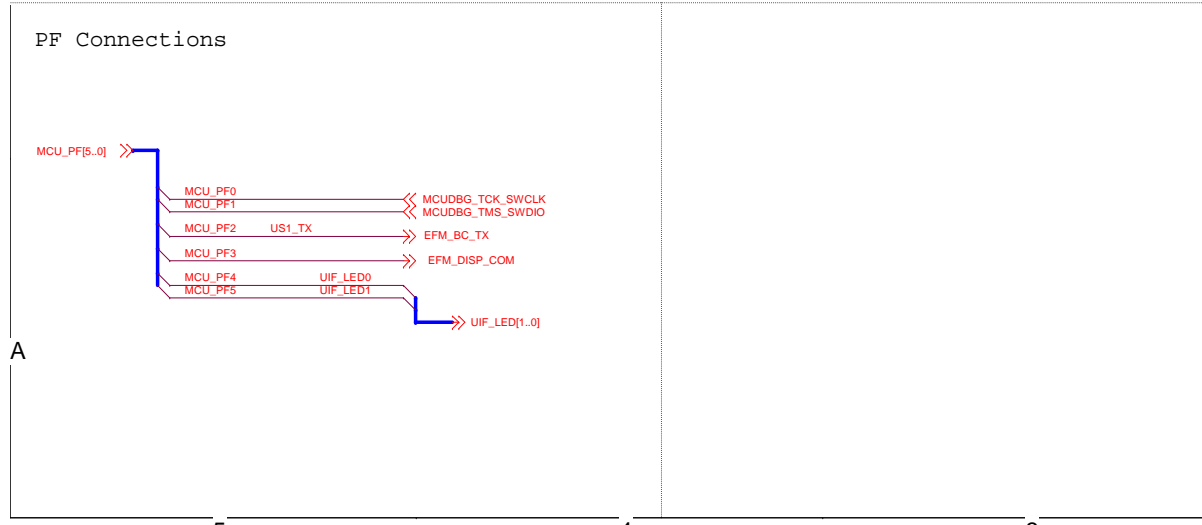
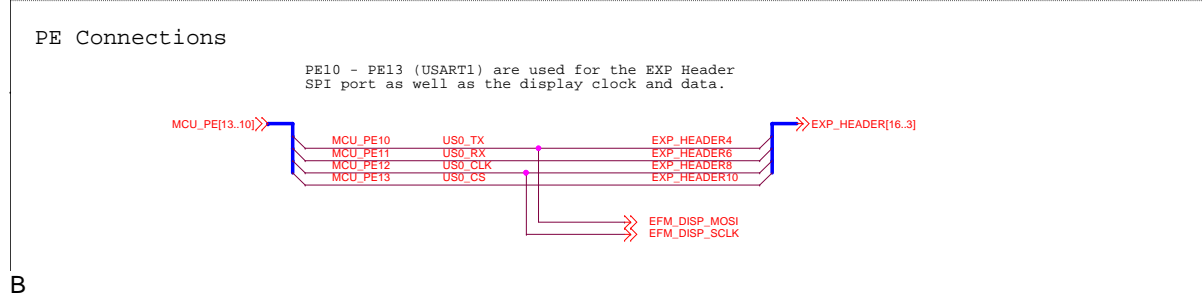
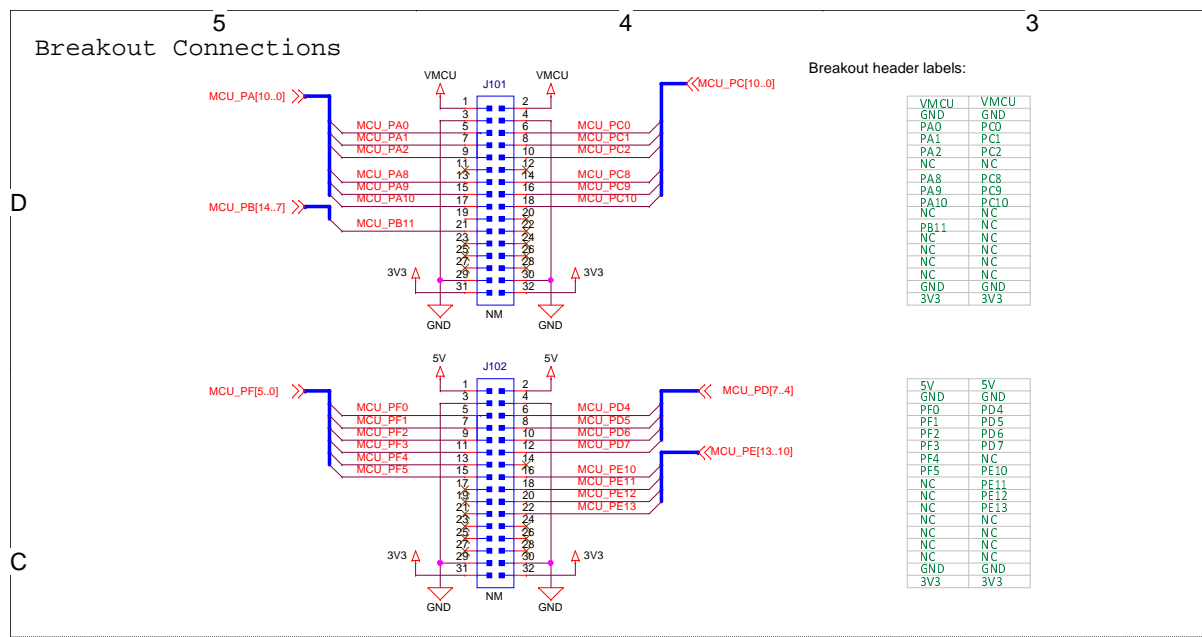
EFM32 HG STK

		Schematic Title	
		EFM32 Happy Gecko Starter Kit	
Designed: DDB Approved: JNO		Page Title	
		User Interfaces	
Size A3	BOM Doc No:	Document number	Revision
		BRD2012A	B01
Design Created Date:	Sheet Created Date:	Sheet Modified Date:	Sheet
Wednesday, December 03, 2008	Friday, October 31, 2014	Thursday, March 26, 2015	2 of 10

EFM_DISP_ENABLE	DISP_CTRL	VDISP	BC_DISP_AVAILABLE
1	EFM	VMCU	0
0	BC	BC_DISP_PWR_EN	1

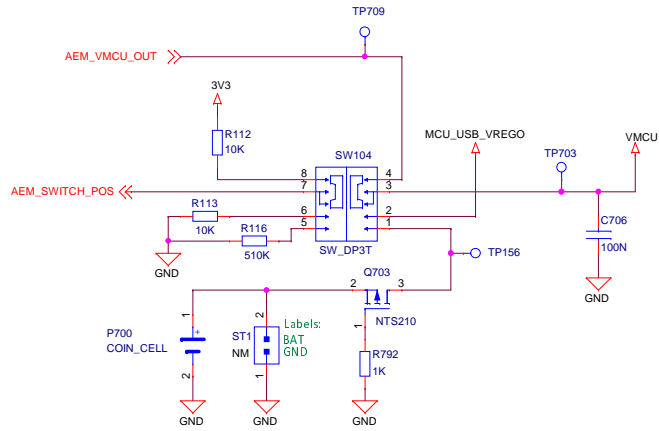
The EFM32 always controls ownership of the display using the EFM_DISP_ENABLE signal.





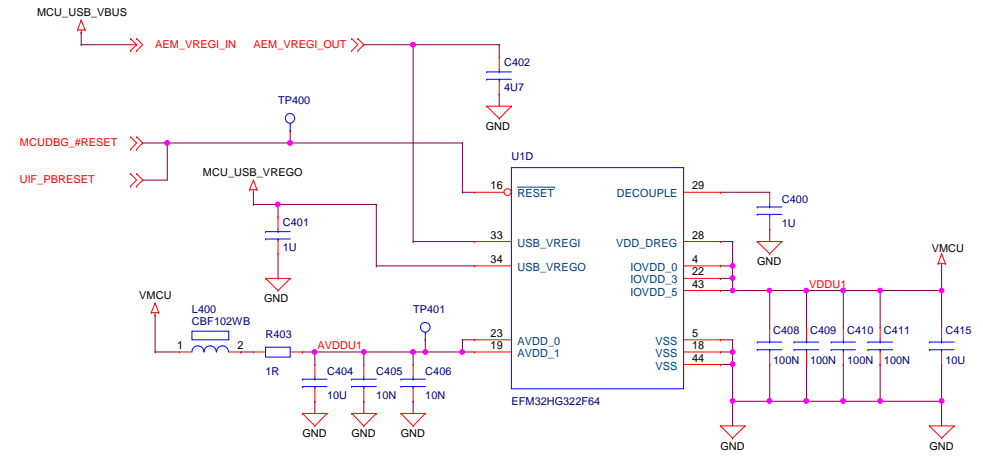
	Schematic Title		
	EFM32 Happy Gecko Starter Kit		
Page Title			Revision
Signal Assignments			
Designed: DDB	Approved: JNO		Document number
Size A3	BOM Doc No: <Cage Code>		BRD2012A
Design Created Date: Wednesday, December 03, 2008	Sheet Created Date Friday, October 31, 2014	Sheet Modified Date Thursday, March 26, 2015	Sheet 3 of 10

Power Select Switch: AEM/USB/BAT

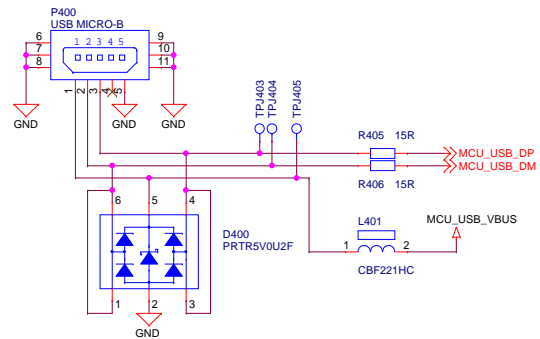



SWITCH POS	MODE DESCRIPTION
AEM	AEM Enabled, VMCU sourced from external 3.3V LDO powered by BC USB 5V supply
USB	AEM Enabled, VMCU sourced from internal 3.3V LDO powered by MCU USB 5V supply
BAT	AEM Disabled, VMCU sourced from coin-cell battery or external power supply

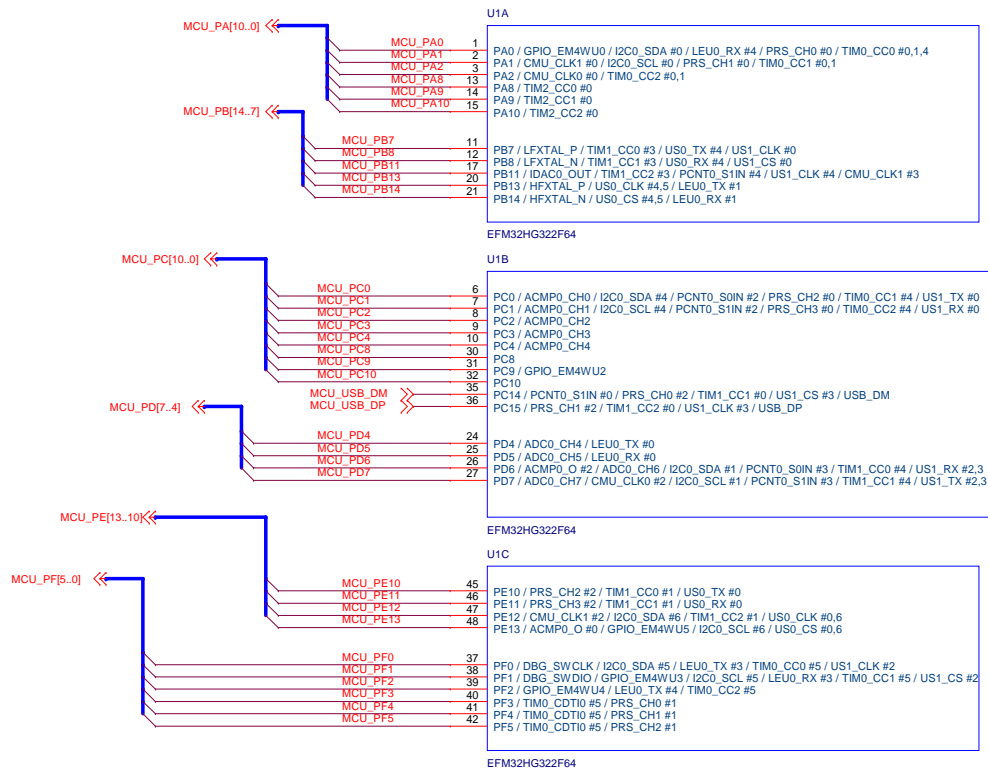
EFM32 Power and Decoupling



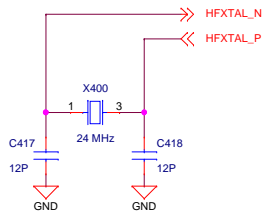
USB Connection and ESD Protection



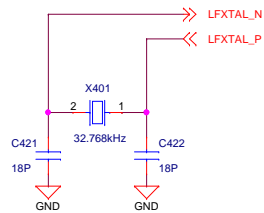
		Schematic Title	
		EFM32 Happy Gecko Starter Kit	
Designed: DDB Approved: JNO		Page Title	
		EFM32 Power & USB	
Size A3	BOM Doc No: <Cage Code>	Document number BRD2012A	Revision B01
Design Created Date: Wednesday, December 03, 2008	Sheet Created Date Friday, October 31, 2014	Sheet Modified Date Thursday, March 19, 2015	Sheet 4 of 10



High Frequency Clock



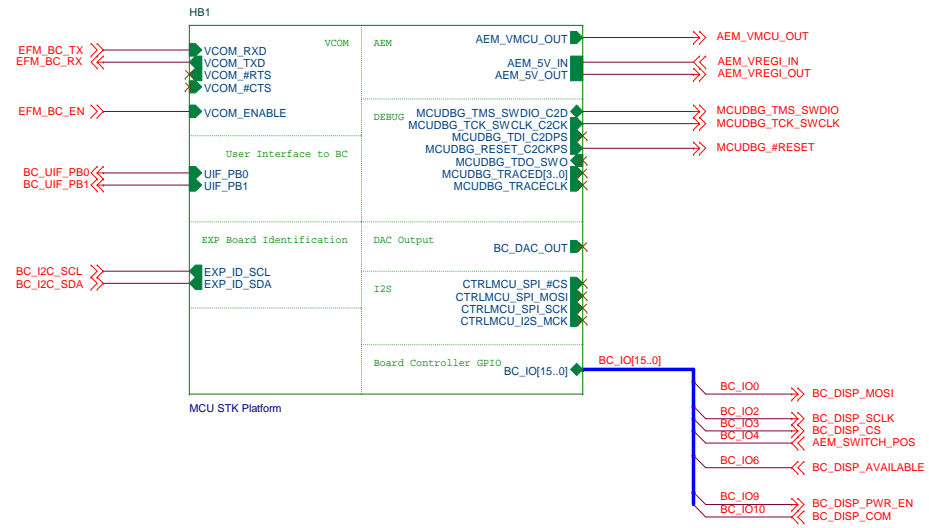
Low Frequency Clock




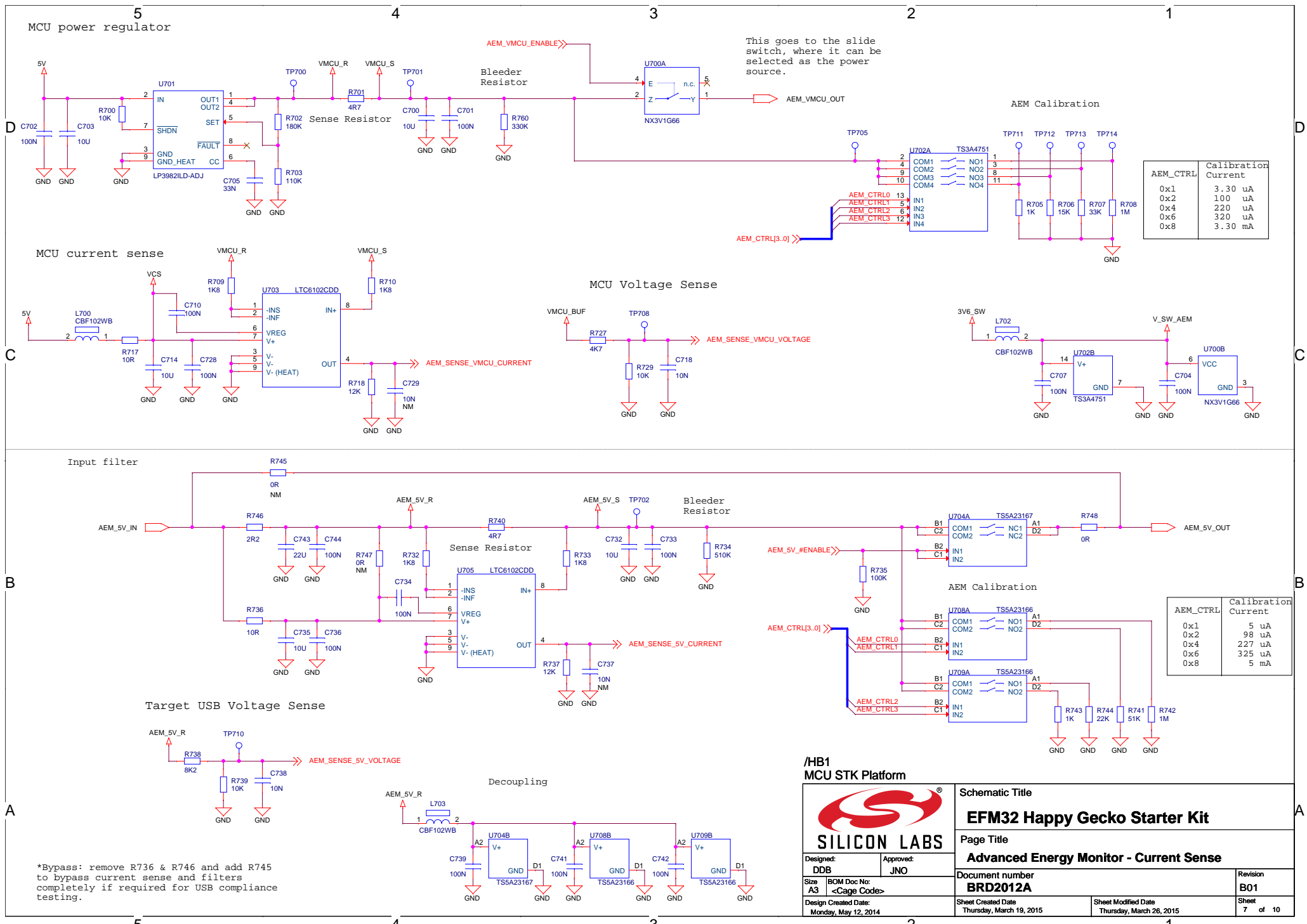
Designed:	Approved:
DDB	JNO
Size:	BOM Doc No:
A3	<Cage Code>
Design Created Date:	Sheet Created Date
Wednesday, December 03, 2008	Monday, November 17, 2014

Schematic Title	
EFM32 Happy Gecko Starter Kit	
Page Title	
EFM32 IO	
Document number	Revision
BRD2012A	B01
Sheet Modified Date	Sheet
Tuesday, March 24, 2015	5 of 10

Board Controller Functional Block



		Schematic Title	
		EFM32 Happy Gecko Starter Kit	
Designed: DDB Approved: JNO		Page Title	
		Board Controller Functional Block	
Size A3	BOM Doc No: <Cage Code>	Document number BRD2012A	Revision B01
Design Created Date: Wednesday, December 03, 2008	Sheet Created Date Friday, October 31, 2014	Sheet Modified Date Thursday, March 19, 2015	Sheet 6 of 10

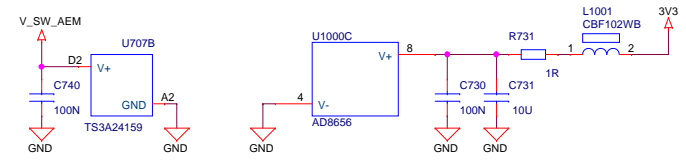
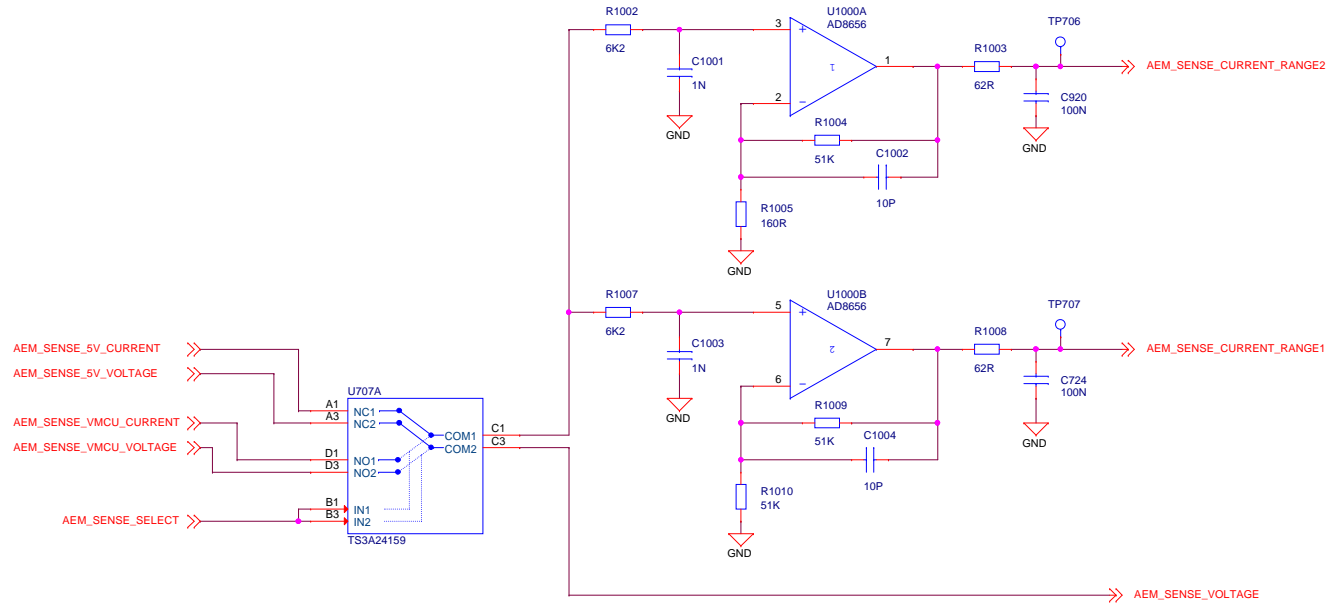


*Bypass: remove R736 & R746 and add R745 to bypass current sense and filters completely if required for USB compliance testing.

/HB1
MCU STK Platform



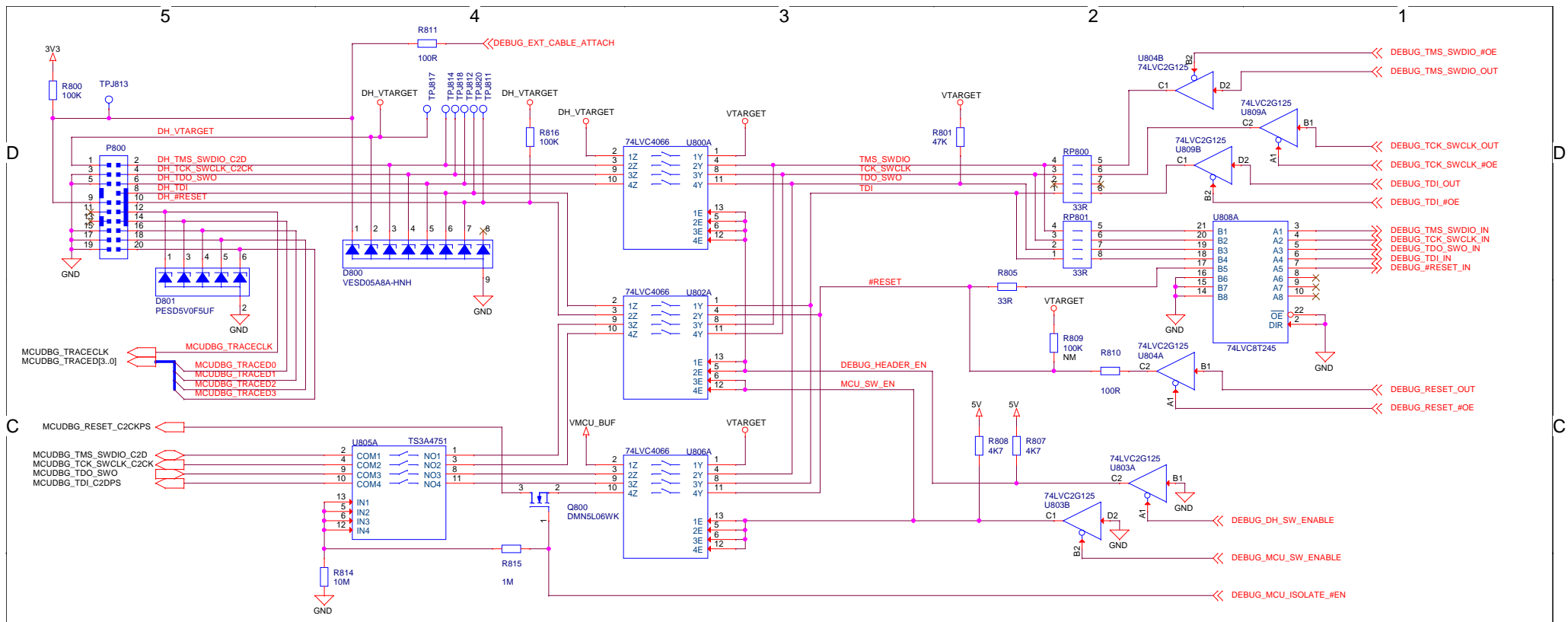
Schematic Title		EFM32 Happy Gecko Starter Kit	
Page Title		Advanced Energy Monitor - Current Sense	
Designed: DDB	Approved: JNO	Document number	Revision
Size A3	BOM Doc No: <Cage Code>	BRD2012A	B01
Design Created Date: Monday, May 12, 2014	Sheet Created Date: Thursday, March 19, 2015	Sheet Modified Date: Thursday, March 26, 2015	Sheet 7 of 10



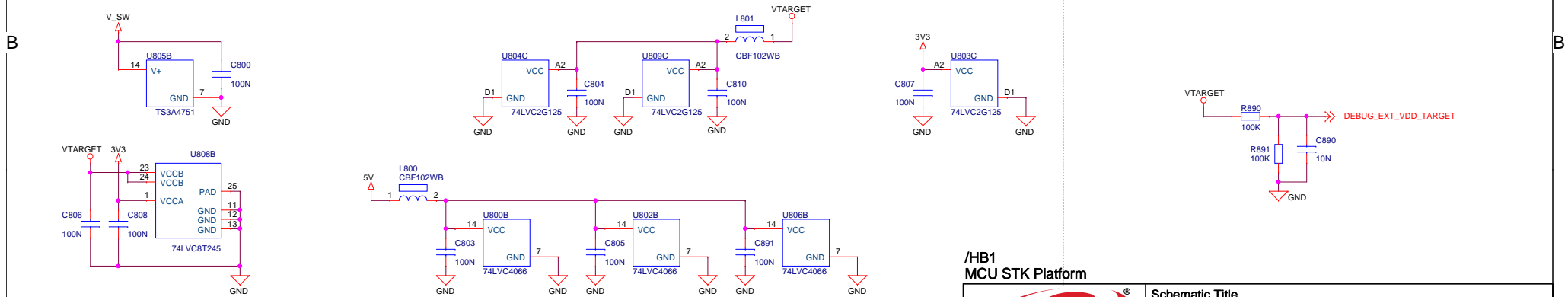
/HB1
MCU STK Platform



Schematic Title		EFM32 Happy Gecko Starter Kit	
Page Title		Advanced Energy Monitor - Gain Stages	
Designed: DDB	Approved: JNO	Document number BRD2012A	Revision B01
Size A3	BOM Doc No: <Cage Code>	Sheet Created Date Saturday, March 21, 2015	Sheet Modified Date Monday, March 23, 2015
Design Created Date: Monday, May 12, 2014			Sheet 8 of 10



Power & Decoupling

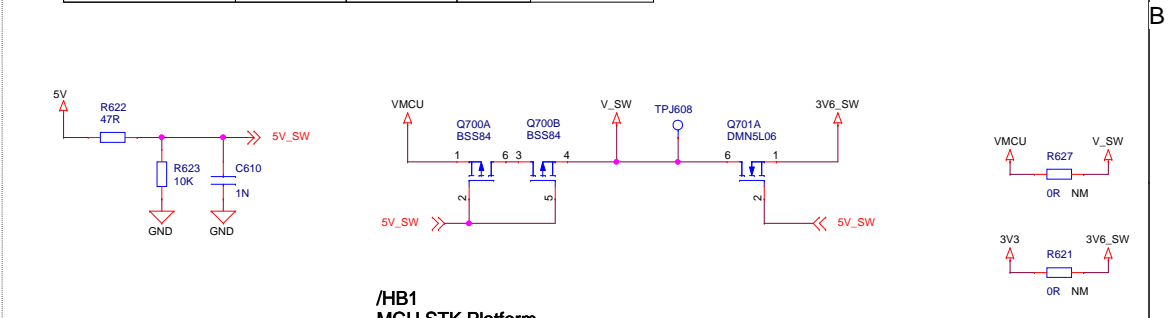
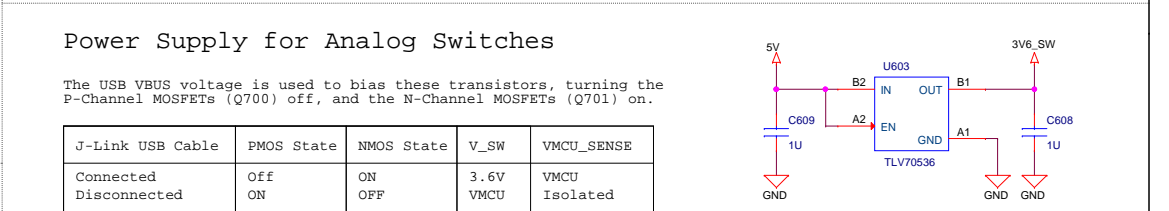
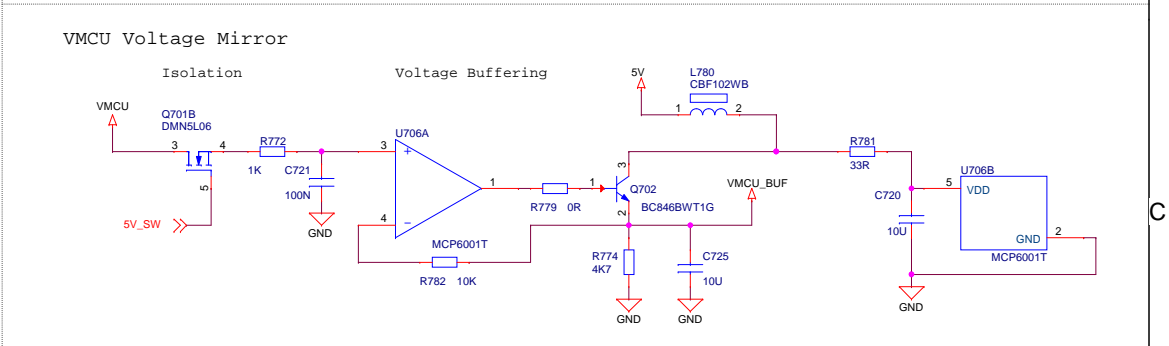
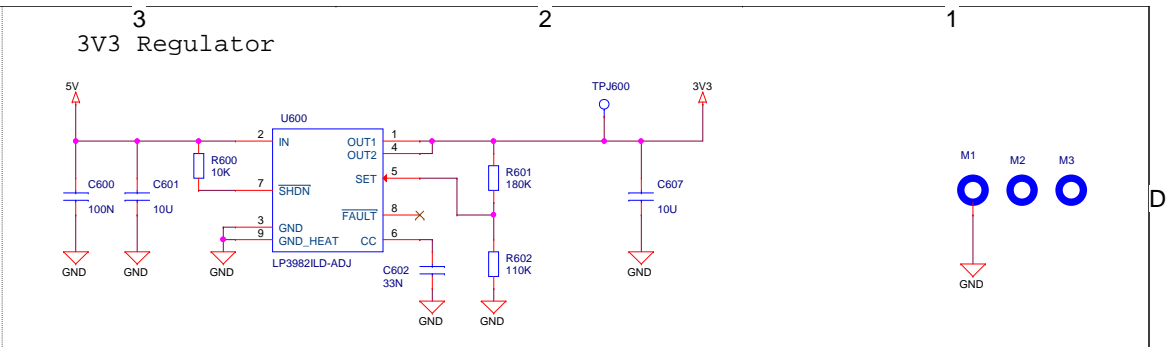
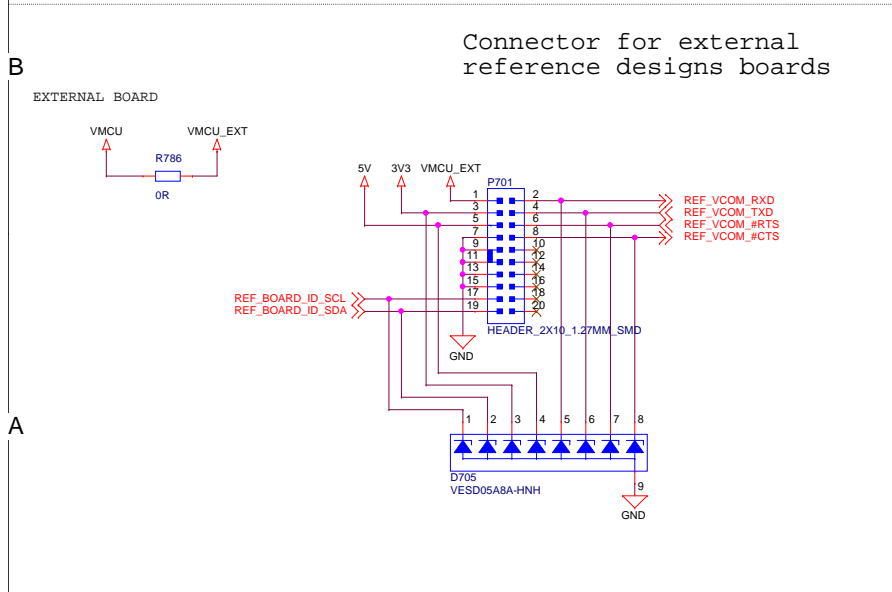
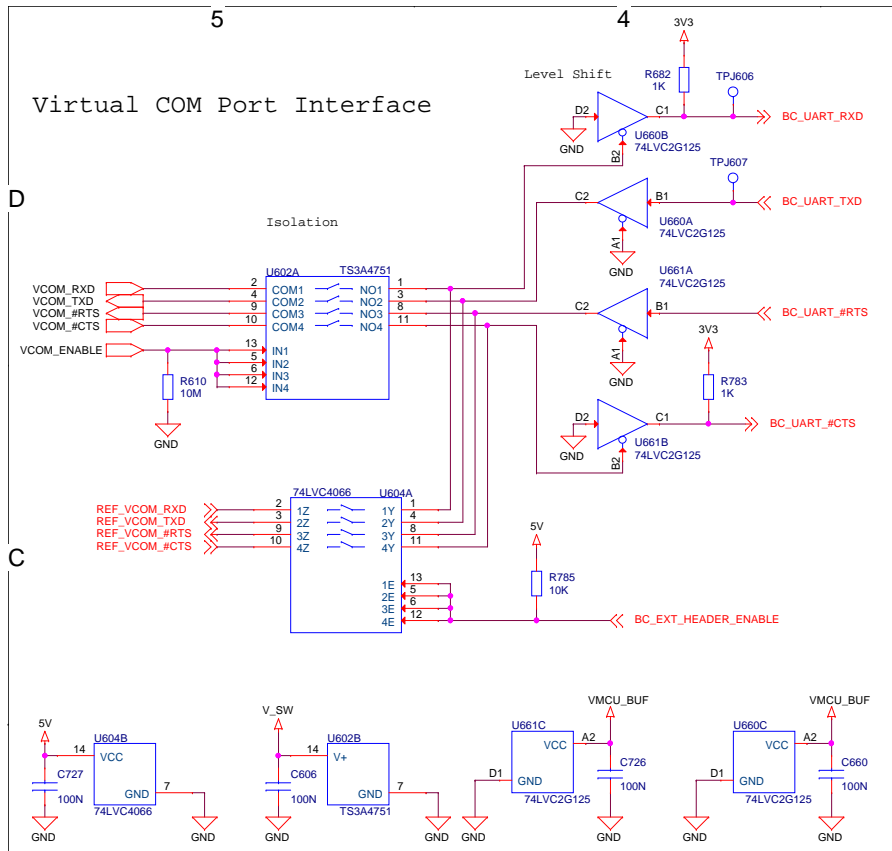


Mode	DEBUG_MCU_SW_ENABLE	DEBUG_DH_SW_ENABLE	DEBUG_BUF_OE	ISOLATE_EN	DH_VTARGET	VTARGET
Debug Out	0	1	0	0	External voltage	External voltage
MCU Debug	1	0	0	1	Disconnected	VMCU
Debug In	1	1	1	1	VMCU	VMCU
Debug Off	1	1	1	0	-	-

/HB1
MCU STK Platform

SILICON LABS

Schematic Title		EFM32 Happy Gecko Starter Kit	
Page Title		Debug Interface	
Designed: DDB	Approved: JNO	Document number	Revision
Size A3	BOM Doc No: <Cage Code>	BRD2012A	B01
Design Created Date: Monday, May 12, 2014	Sheet Created Date: Monday, May 12, 2014	Sheet Modified Date: Monday, March 16, 2015	Sheet 9 of 10



/HB1
MCU STK Platform

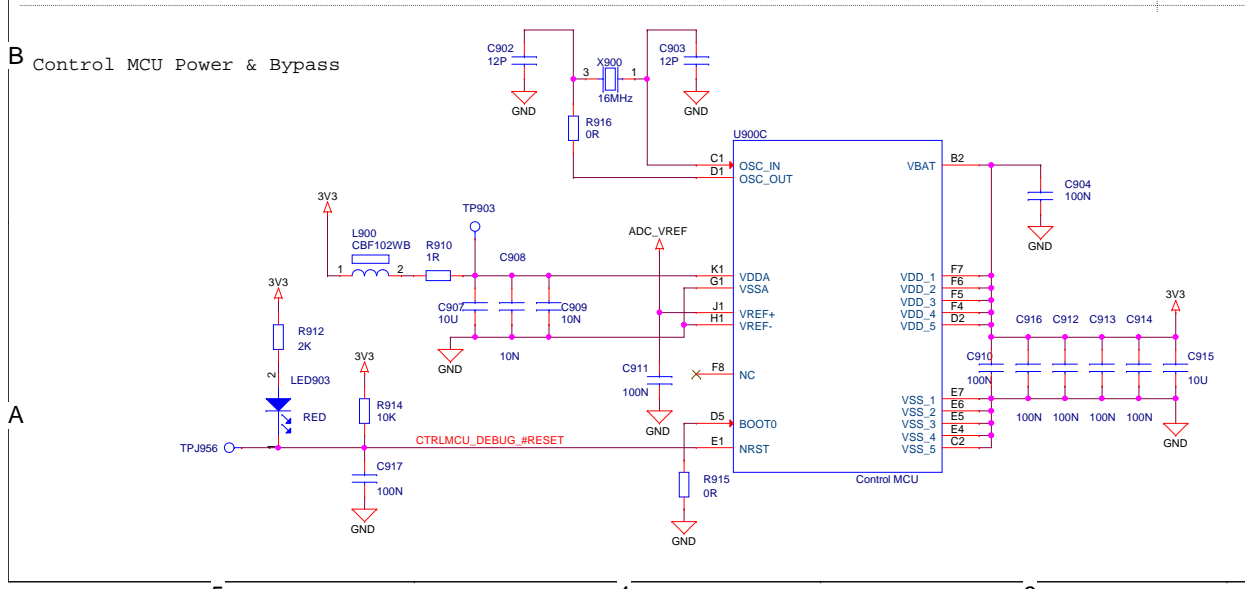
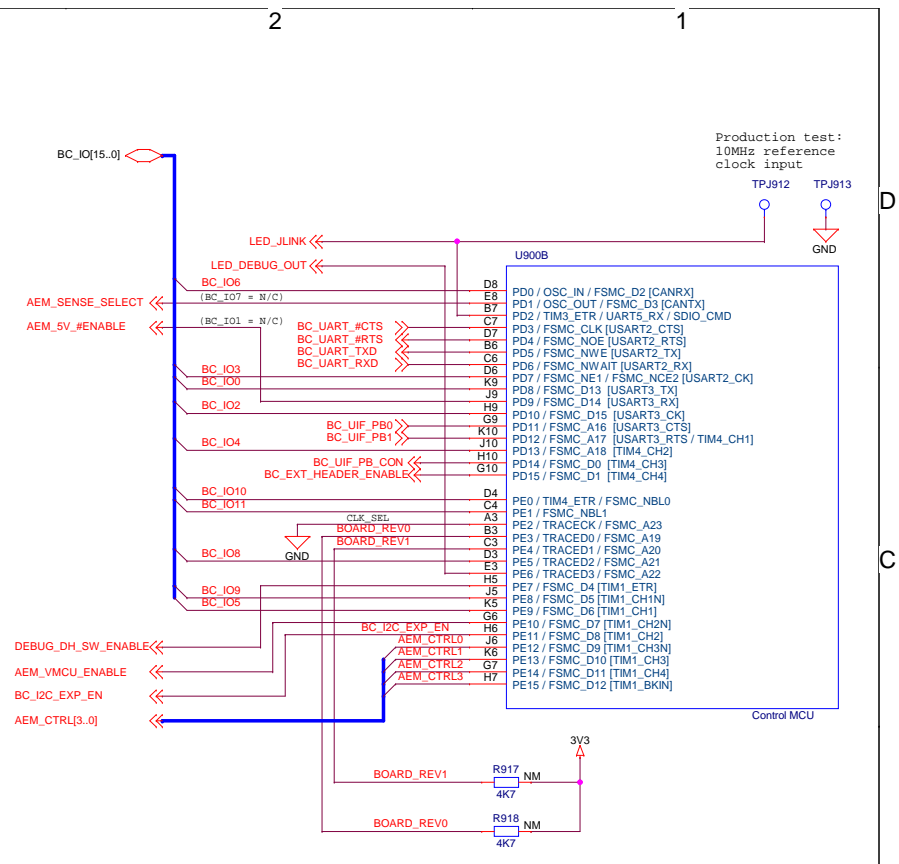
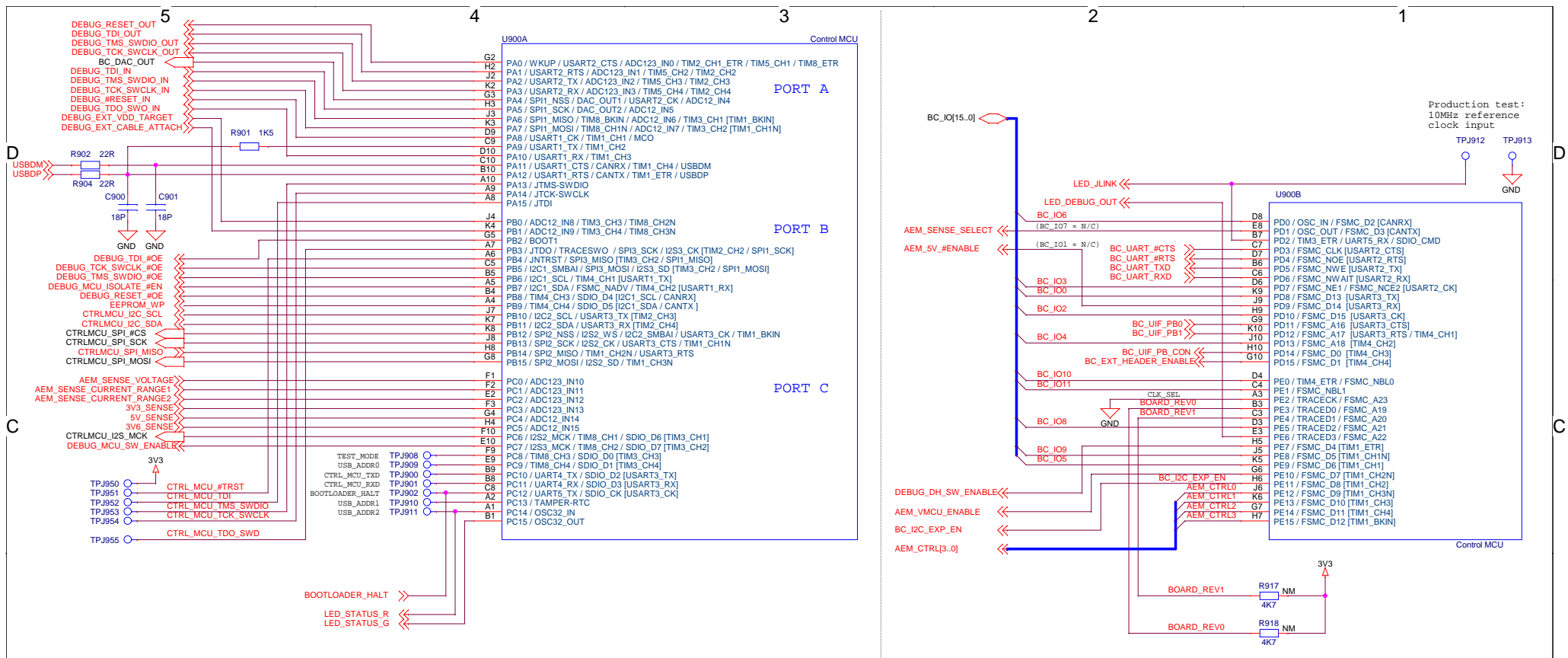
SILICON LABS

Designed: DDB
Approved: JNO

Size: A3
BOM Doc No: <Cage Code>

Design Created Date: Monday, May 12, 2014

Schematic Title	
EFM32 Happy Gecko Starter Kit	
Page Title	
Power & Misc	
Document number	Revision
BRD2012A	B01
Sheet Created Date	Sheet Modified Date
Monday, May 12, 2014	Monday, March 16, 2015
Sheet	Sheet
10 of 10	10 of 10



/HB1 MCU STK Platform

SILICON LABS

Schematic Title
EFM32 Happy Gecko Starter Kit

Page Title
Control MCU

Document number
BRD2012A

Approved: JNO

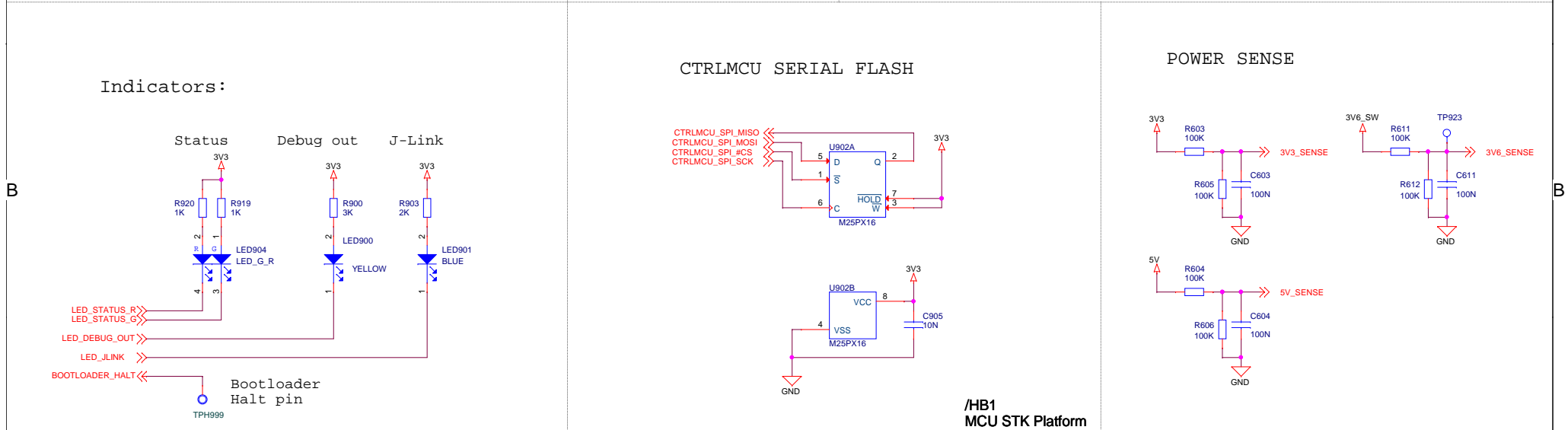
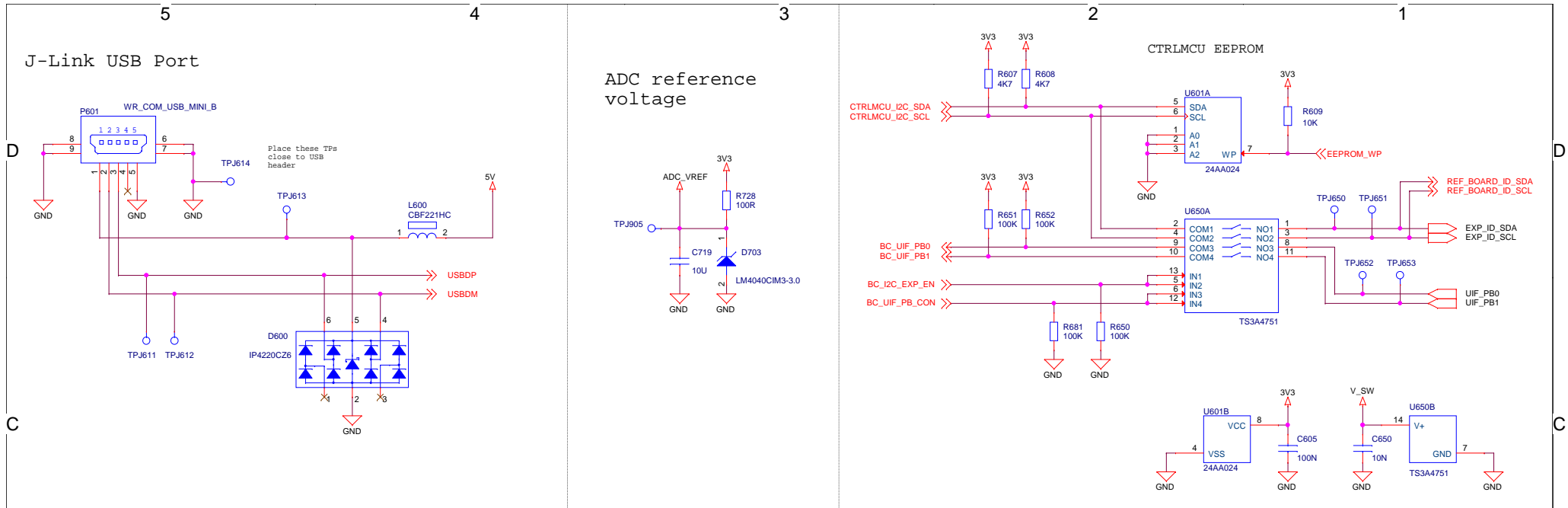
Design Created Date: Monday, May 12, 2014

Sheet Created Date: Wednesday, May 14, 2014

Sheet Modified Date: Monday, March 23, 2015

Revision
B01

Sheet
11 of 10



		Schematic Title	
		EFM32 Happy Gecko Starter Kit	
Designed: DDB Approved: JNO		Page Title	
		Board Controller Misc	
Size: A3	BOM Doc No: <Cage Code>	Document number	Revision
Design Created Date: Monday, May 12, 2014		BRD2012A	B01
	Sheet Created Date: Wednesday, May 14, 2014	Sheet Modified Date: Monday, March 16, 2015	Sheet 12 of 10