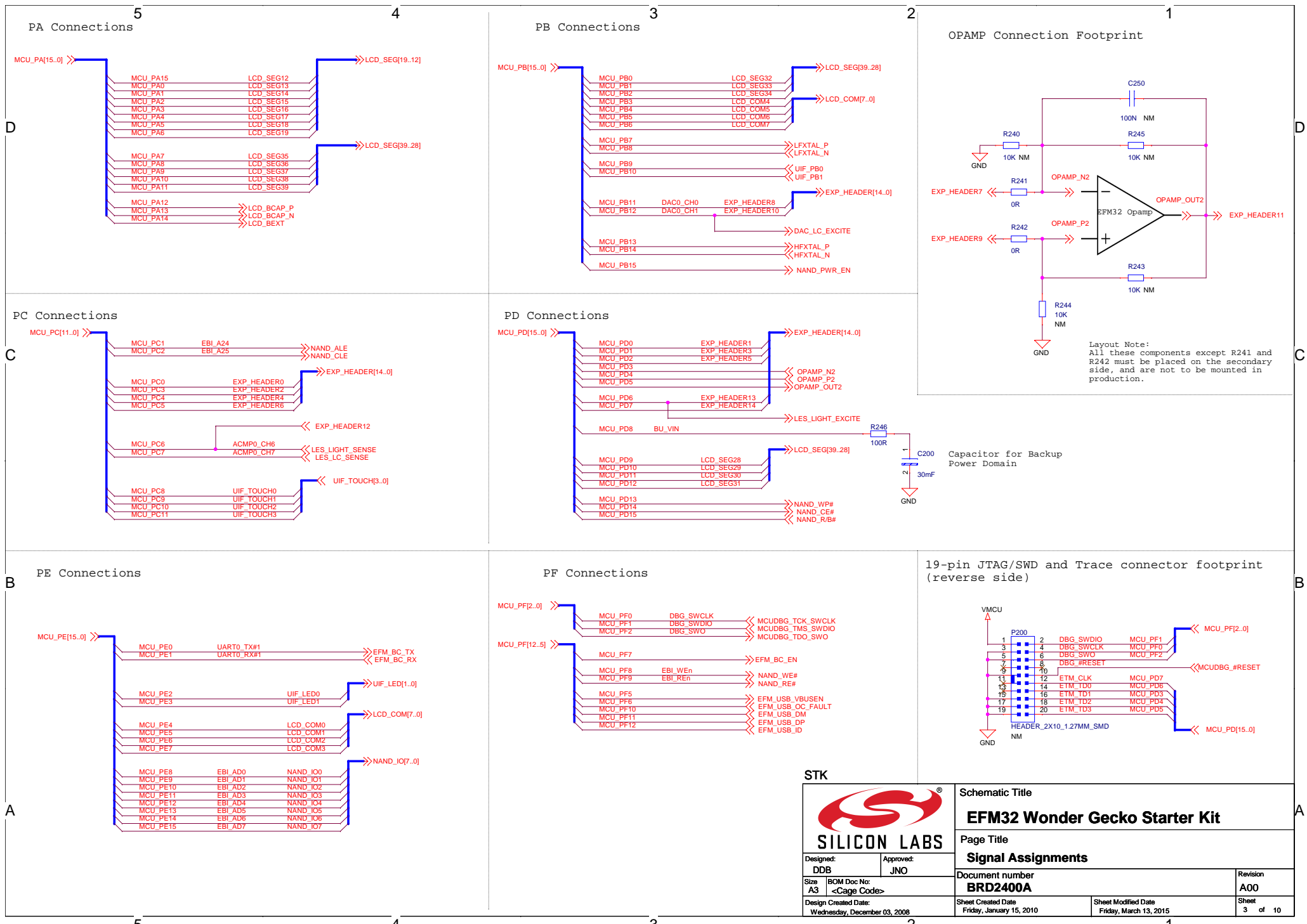


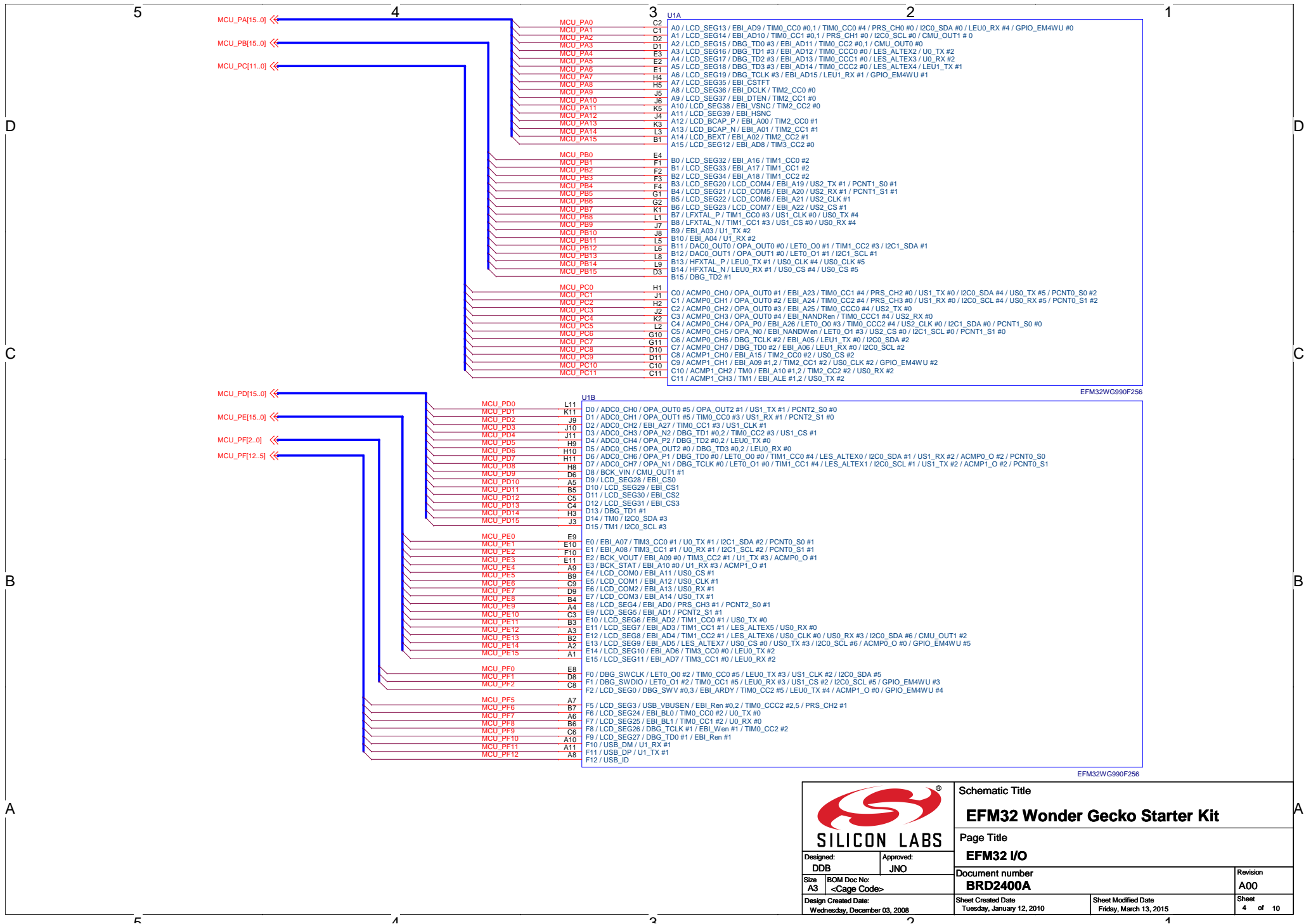
**EXP Communication**


SPI	MOSI-PD0 MISO-PD1 CLK-PD2 CS-PD3
I2C1	SDA-PC4 SCL-PC5
UART	TX-PD0 RX-PD1
LEUART	TX-PD4 RX-PD5

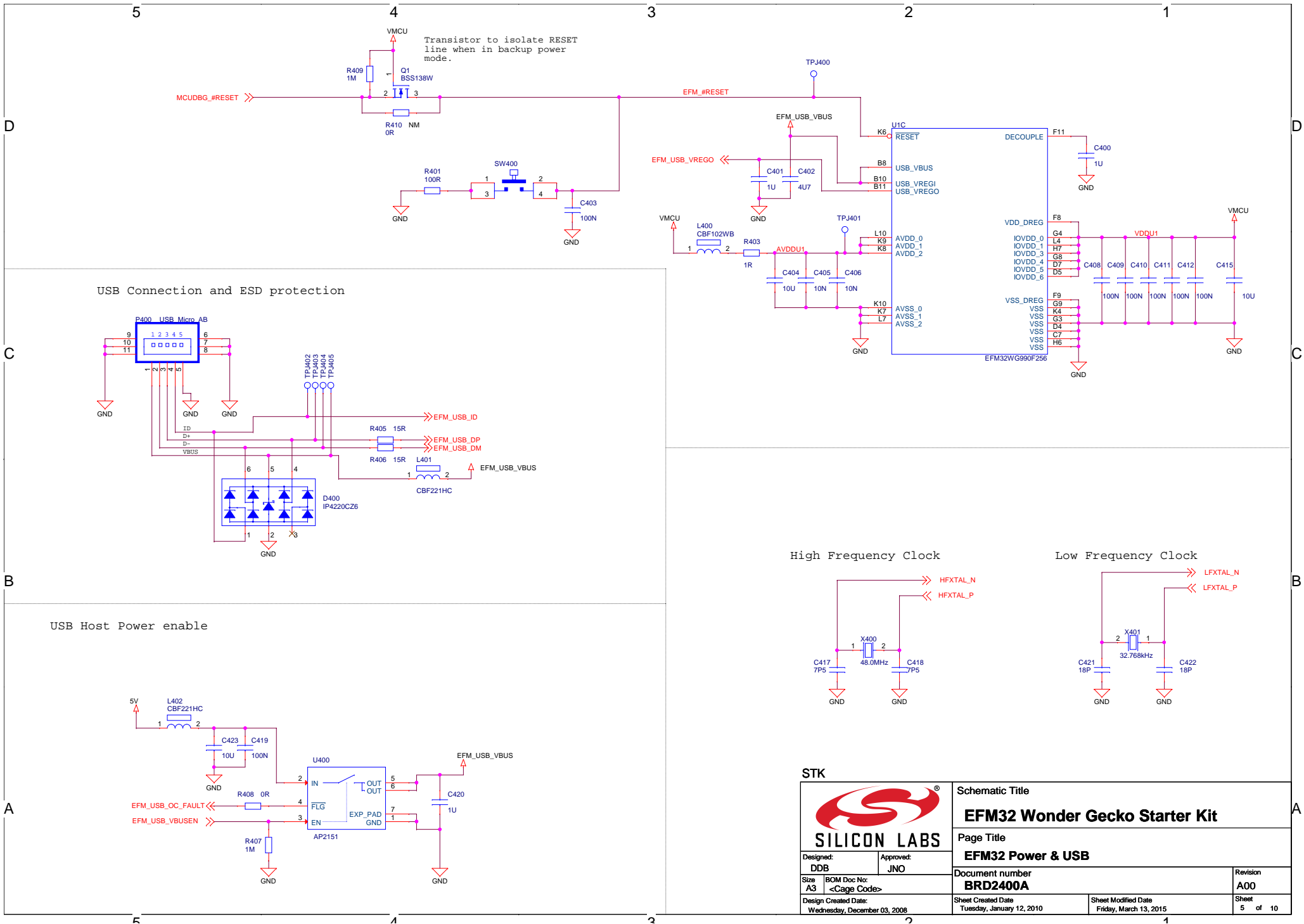
<p><b>SILICON LABS</b></p>		Schematic Title	
		<b>EFM32 Wonder Gecko Starter Kit</b>	
Designed: DDB Approved: JNO Size: A3 BOM Doc No:		Page Title	
		<b>User Interfaces</b>	
Design Created Date: Wednesday, December 03, 2008		Document number <b>BRD2400A</b>	Revision <b>A00</b>
Sheet Created Date: Saturday, March 21, 2009		Sheet Modified Date: Friday, March 13, 2015	Sheet 2 of 10



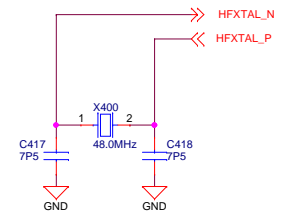
		Schematic Title	
		<b>EFM32 Wonder Gecko Starter Kit</b>	
Designed: DDB Approved: JNO		Page Title	
		<b>Signal Assignments</b>	
Size A3	BOM Doc No: <Cage Code>	Document number <b>BRD2400A</b>	Revision A00
Design Created Date: Wednesday, December 03, 2008		Sheet Created Date Friday, January 15, 2010	Sheet Modified Date Friday, March 13, 2015
		Sheet	3 of 10



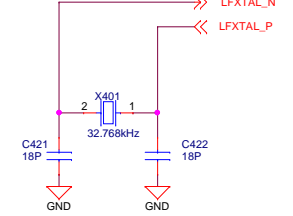
		Schematic Title	
		<b>EFM32 Wonder Gecko Starter Kit</b>	
Designed: <b>DDB</b> Approved: <b>JNO</b>		Page Title	
		<b>EFM32 I/O</b>	
Size <b>A3</b>	BOM Doc No: <b>&lt;Cage Code&gt;</b>	Document number	Revision
		<b>BRD2400A</b>	<b>A00</b>
Design Created Date:	Sheet Created Date:	Sheet Modified Date:	Sheet
Wednesday, December 03, 2008	Tuesday, January 12, 2010	Friday, March 13, 2015	4 of 10



High Frequency Clock

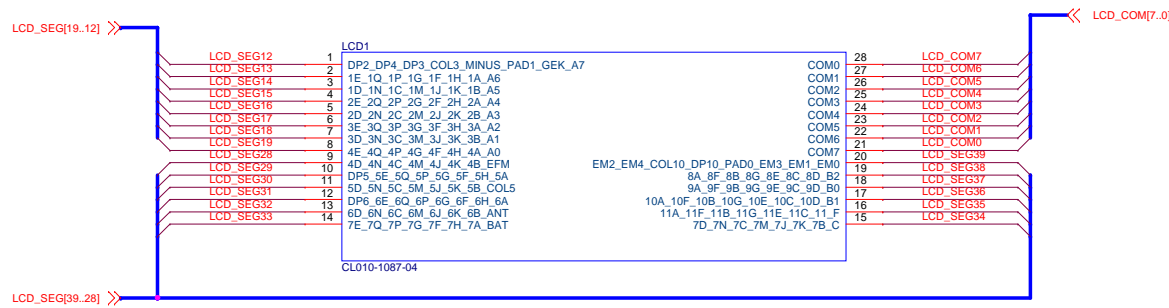


Low Frequency Clock

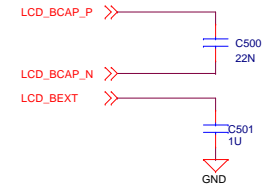


		Schematic Title	
		<b>EFM32 Wonder Gecko Starter Kit</b>	
Designed: DDB Approved: JNO		Page Title	
		<b>EFM32 Power &amp; USB</b>	
Size A3	BOM Doc No: <Cage Code>	Document number <b>BRD2400A</b>	Revision A00
Design Created Date: Wednesday, December 03, 2008	Sheet Created Date Tuesday, January 12, 2010	Sheet Modified Date Friday, March 13, 2015	Sheet 5 of 10

LCD signal connections



LCD Boost

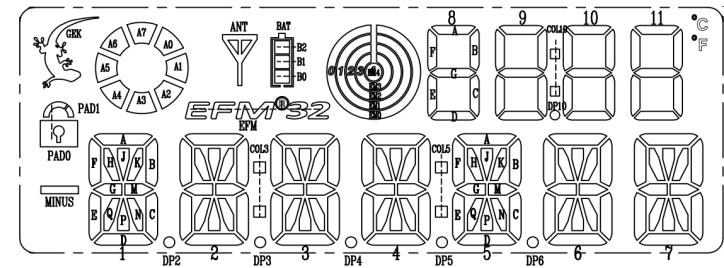


Segment names

PIN	1	2	3	4	5	6	7	8	9	10	11	12	13	14
---	S0	S1	S2	S3	S4	S5	S6	S7	S8	S9	S10	S11	S12	S13
COM0	DP2	1 E	1 D	2 E	2 D	3 E	3 D	4 E	4 D	DP5	5 D	DP6	6 D	7 E
COM1	DP4	1 Q	1 N	2 Q	2 N	3 Q	3 N	4 Q	4 N	5 E	5 N	6 E	6 N	7 Q
COM2	DP3	1 P	1 C	2 P	2 C	3 P	3 C	4 P	4 C	5 Q	5 C	6 Q	6 C	7 P
COM3	COL3	1 G	1 M	2 G	2 M	3 G	3 M	4 G	4 M	5 P	5 M	6 P	6 M	7 G
COM4	MINUS	1 F	1 J	2 F	2 J	3 F	3 J	4 F	4 J	5 G	5 J	6 G	6 J	7 F
COM5	PAD1	1 H	1 K	2 H	2 K	3 H	3 K	4 H	4 K	5 F	5 K	6 F	6 K	7 H
COM6	GEK	1 A	1 B	2 A	2 B	3 A	3 B	4 A	4 B	5 H	5 B	6 H	6 B	7 A
COM7	A7	A6	A5	A4	A3	A2	A1	A0	EFM	5 A	COL5	6 A	ANT	BAT

PIN	15	16	17	18	19	20	21	22	23	24	25	26	27	28
---	S14	S15	S16	S17	S18	S19	COM7	COM6	COM5	COM4	COM3	COM2	COM1	COM0
COM0	7 D	11 A	10 A	9 A	8 A	EM2								COM0
COM1	7 N	11 F	10 F	9 F	8 F	EM4							COM1	
COM2	7 C	11 B	10 B	9 B	8 B	COL10						COM2		
COM3	7 M	11 G	10 G	9 G	8 G	DP10					COM3			
COM4	7 J	11 E	10 E	9 E	8 E	PADO				COM4				
COM5	7 K	11 C	10 C	9 C	8 C	EM3		COM5						
COM6	7 B	11 D	10 D	9 D	8 D	EM1		COM6						
COM7	°C	*F	B1	B0	B2	EM0	COM7							

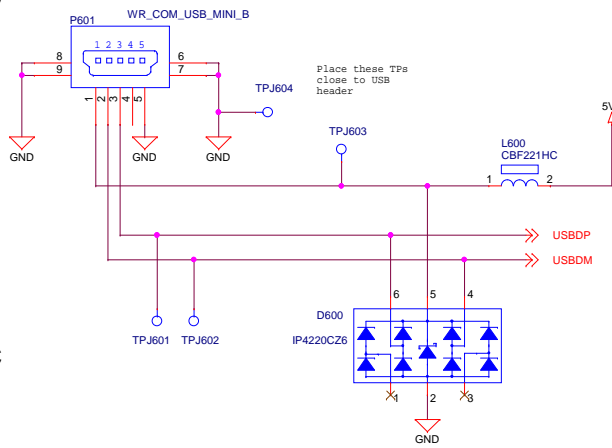
Segment placement



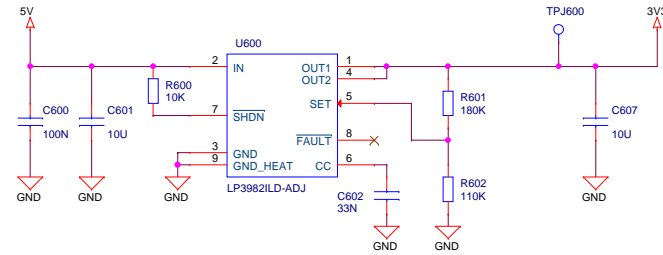
STK

<p><b>SILICON LABS</b></p>	Schematic Title	
	<b>EFM32 Wonder Gecko Starter Kit</b>	
Designed: DDB Approved: JNO	Page Title	
	<b>LCD</b>	
Size A3	BOM Doc No: <Cage Code>	Document number
Design Created Date: Wednesday, December 03, 2008	Sheet Created Date: Tuesday, January 12, 2010	Sheet Modified Date: Friday, March 13, 2015
		Revision
		<b>A00</b>
		Sheet 6 of 10

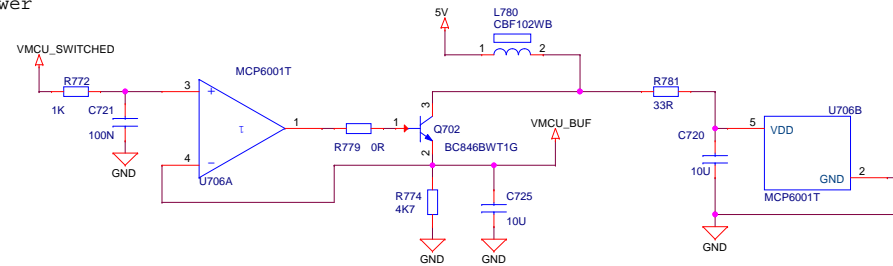
### Power input



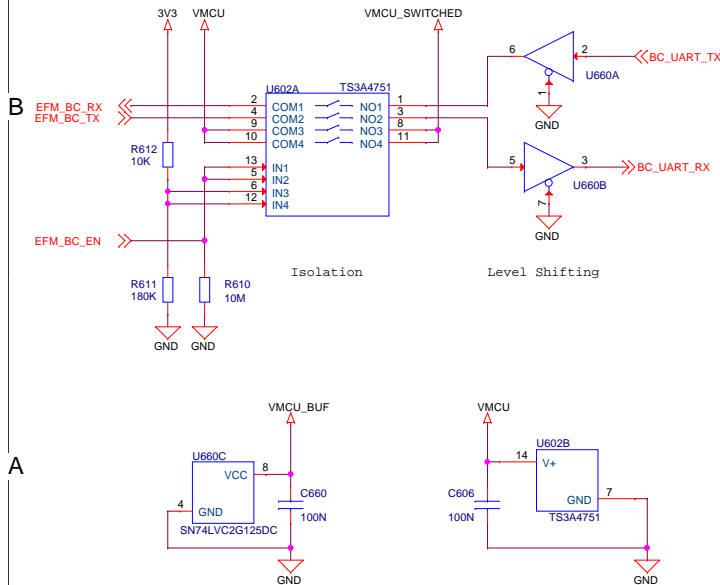
### 3V3 Regulator



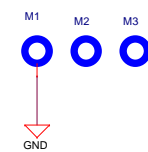
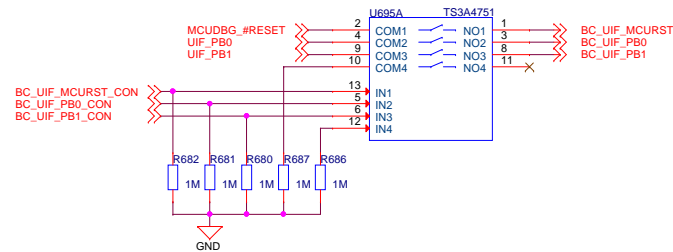
### VMCU\_DBG power



### VMCU Switch Board Controller communication switch



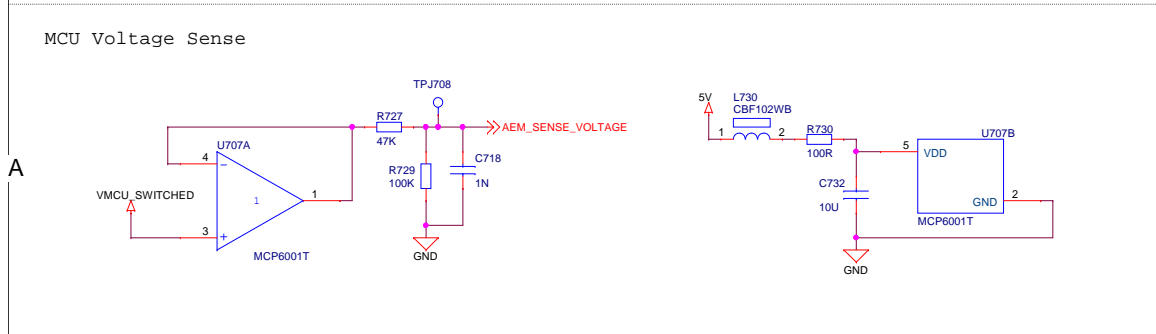
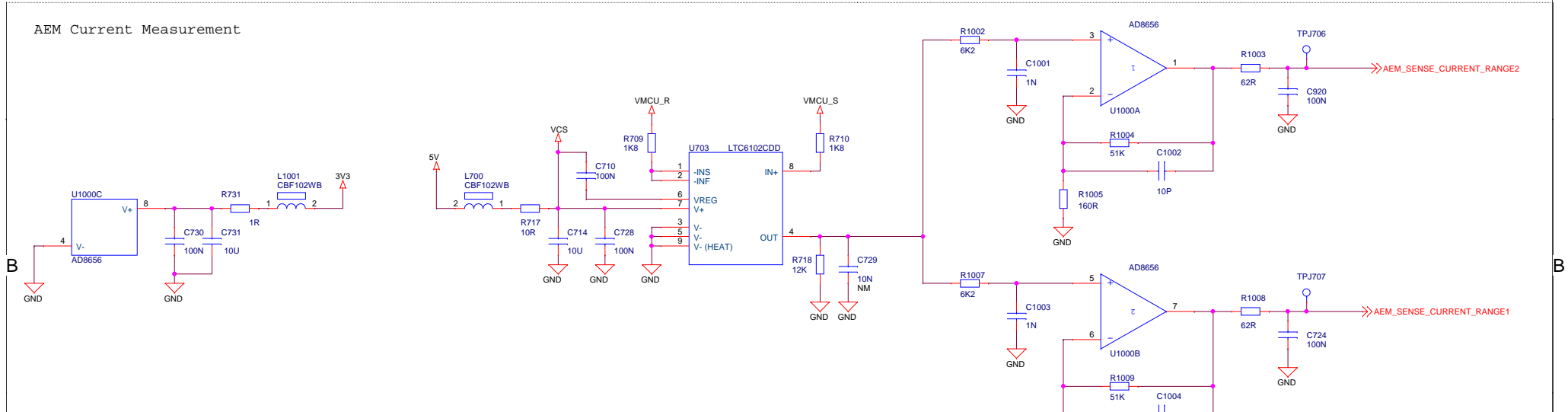
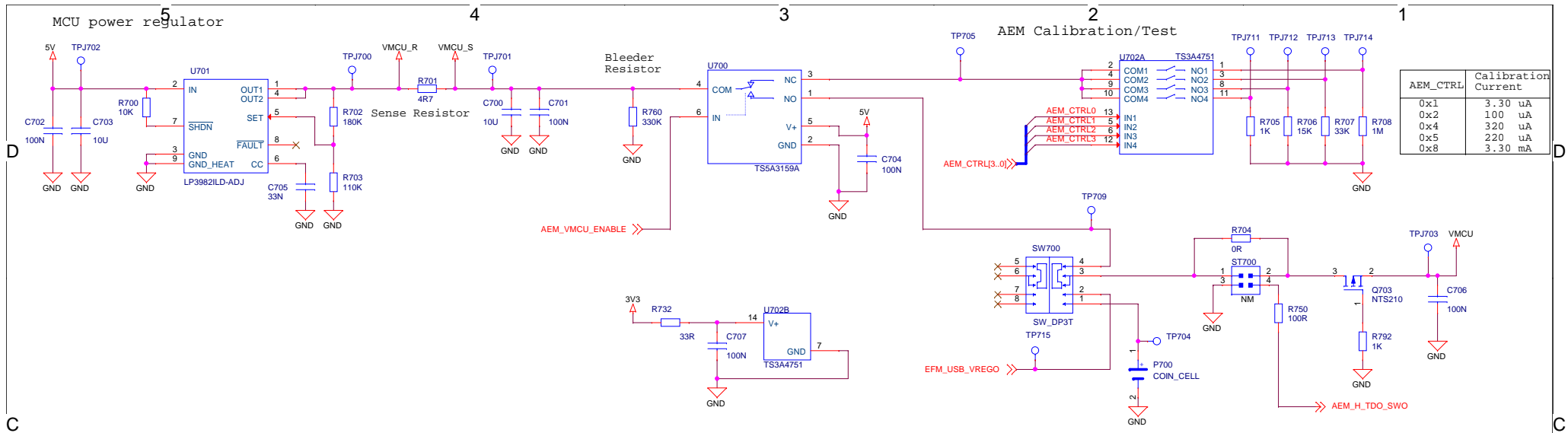
### User input to board controller



STK



Schematic Title		<b>EFM32 Wonder Gecko Starter Kit</b>	
Page Title		<b>Power &amp; Misc</b>	
Designed:	Approved:	Document number	Revision
DDB	JNO	<b>BRD2400A</b>	A00
Size	BOM Doc No:	Sheet Created Date	Sheet Modified Date
A3	<Cage Code>	Saturday, March 21, 2009	Friday, March 13, 2015
Design Created Date:	Wednesday, December 03, 2008	Sheet	7 of 10

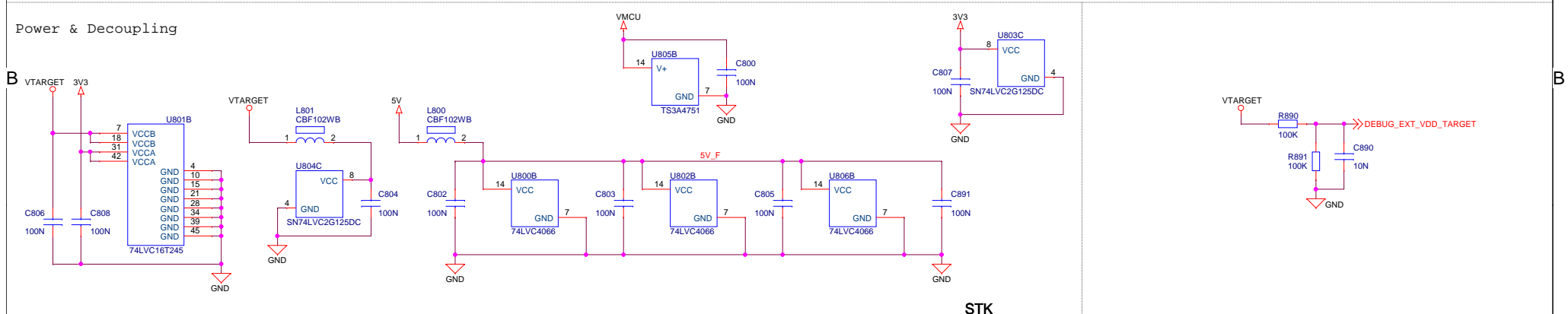
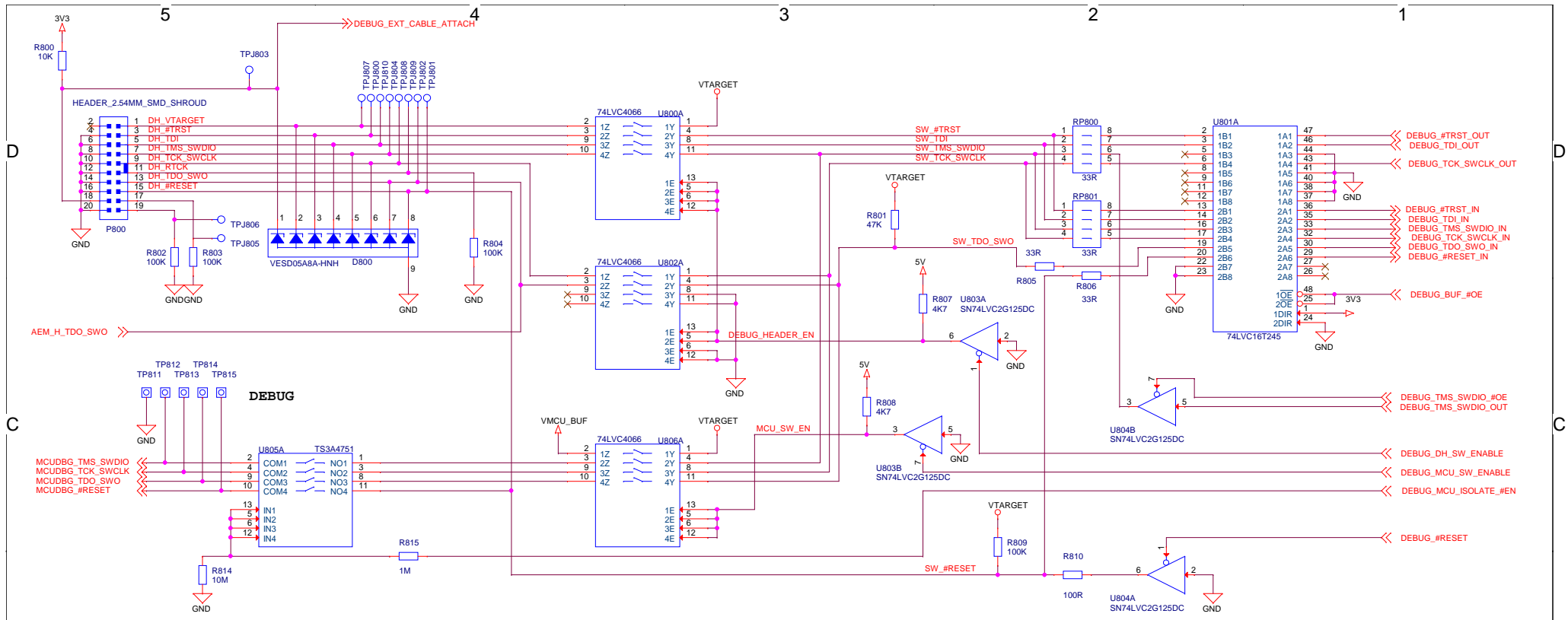


STK

MCU power current sense

		Schematic Title	
		<b>EFM32 Wonder Gecko Starter Kit</b>	
Designed: DDB		Page Title	
Approved: JNO		<b>Advanced Energy Monitor</b>	
Size: A3	BOM Doc No: <Cage Code>	Document number	Revision
Design Created Date: Wednesday, December 03, 2008		<b>BRD2400A</b>	<b>A00</b>
	Sheet Created Date: Wednesday, August 19, 2009	Sheet Modified Date: Friday, March 13, 2015	Sheet 8 of 10





**A**

Mode	DEBUG_MCU_SW_ENABLE	DEBUG_DH_SW_ENABLE	DEBUG_BUF_#OE	ISOLATE_#EN	DH_VTARGET	VTARGET
Debug Out	0	1	0	0	External voltage	External voltage
MCU Debug	1	0	0	1	Disconnected	VMCU
Debug In	1	1	1	1	VMCU	VMCU
Debug Off	1	1	1	0	-	-

**STK**

**Schematic Title**  
EFM32 Wonder Gecko Starter Kit

**Page Title**  
Debug Interface

**Document number**  
BRD2400A

**Revision**  
A00

**Designed:** DDB **Approved:** JNO

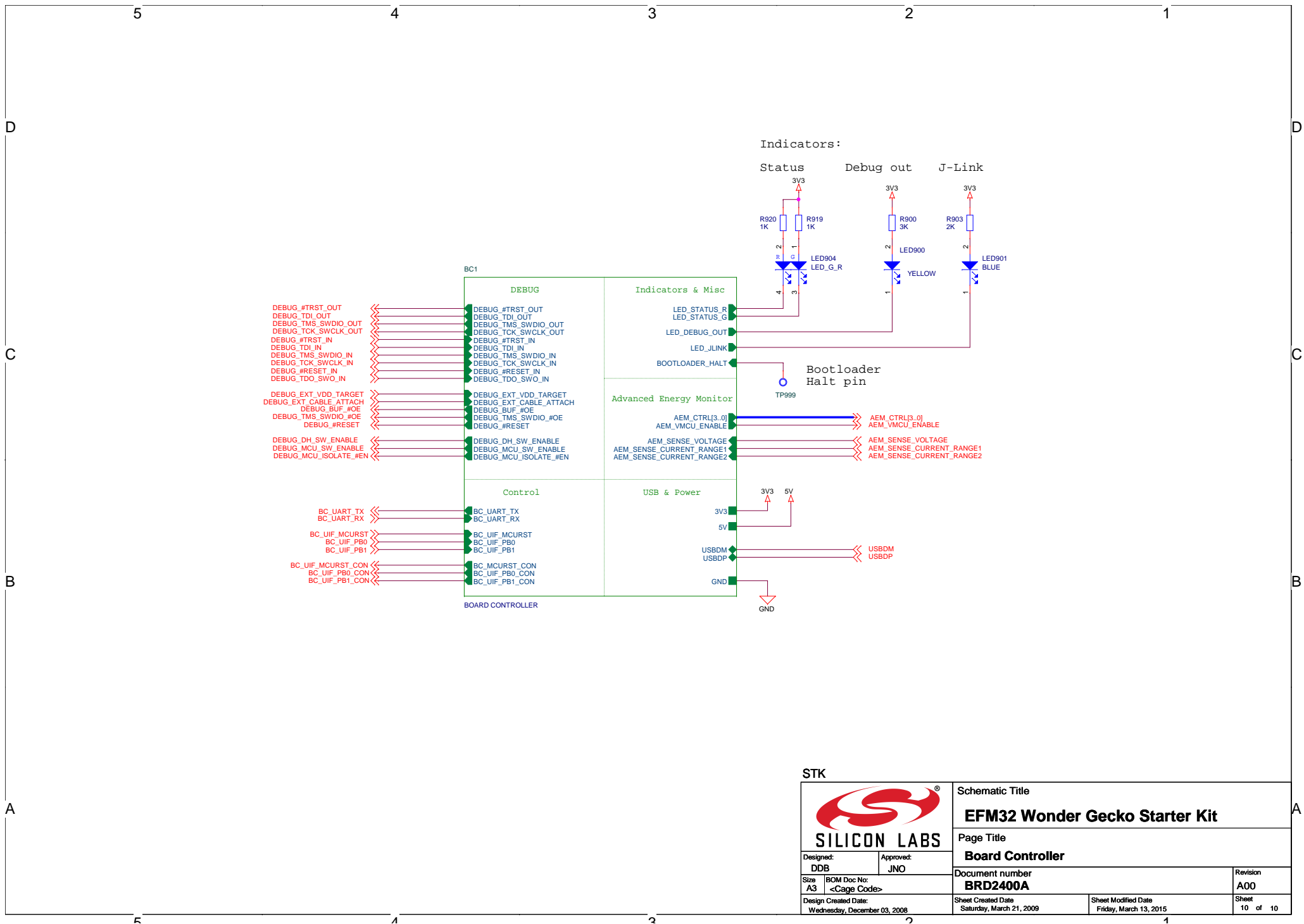
**Size:** A3 **BOM Doc No:** <Cage Code>

**Design Created Date:** Wednesday, December 03, 2008

**Sheet Created Date:** Saturday, March 21, 2009

**Sheet Modified Date:** Friday, March 13, 2015

**Sheet** 9 of 10



STK



Schematic Title		<b>EFM32 Wonder Gecko Starter Kit</b>	
Page Title		<b>Board Controller</b>	
Designed:	Approved:	Document number	Revision
DDB	JNO	<b>BRD2400A</b>	A00
Size	BOM Doc No:	Sheet Created Date	Sheet Modified Date
A3	<Cage Code>	Wednesday, December 03, 2008	Friday, March 13, 2015
Design Created Date:	Sheet Created Date	Sheet Modified Date	Sheet
Wednesday, December 03, 2008	Saturday, March 21, 2009	Friday, March 13, 2015	10 of 10