

FRDM-KL43Z User's Guide

1 FRDM-KL43Z overview

The Freescale Freedom development platform is a set of software and hardware tools for evaluation and development. It is ideal for rapid prototyping of microcontroller-based applications. The Freescale Freedom KL43Z hardware, FRDM-KL43Z, is a simple, yet sophisticated design featuring a Kinetis L series microcontroller, built on the ARM® Cortex™-M0+ core.

FRDM-KL43Z can be used to evaluate the KL43, KL33, KL27, and KL17 Kinetis L series devices. It features a MKL43Z256VLH4 which has a maximum operating frequency of 48 MHz, 256 KB of flash memory, 32 KB RAM, 16 KB ROM (with Kinetis bootloader), a full-speed device USB controller, segment LCD controller, and many analog and digital peripherals. The FRDM-KL43Z hardware is form-factor compatible with the Arduino™ R3 pin layout, providing a broad range of expansion board options. The on-board interfaces include a 4-digit segment LCD, a 3-axis digital

Contents

1	FRDM-KL43Z overview	1
2	Reference documents	2
3	Getting started	2
4	FRDM-KL43Z hardware overview	2
5	FRDM-KL43Z hardware description	4
5.1	Power supply	4
5.2	Serial and debug adapter (OpenSDA)	6
5.3	MKL43Z256 microcontroller	8



Reference documents

accelerometer, magnetometer, capacitive touch slider (not directly connected because there is no TSI module on the chip—only software TSS can be used with GPIO method), and ambient light sensor.

The FRDM-KL43Z features the Freescale open standard embedded serial and debug adapter known as OpenSDA. This circuit offers several options for serial communications, flash programming, and run-control debugging.

2 Reference documents

Table 1 provides a list of reference documents for the FRDM-KL43Z hardware. All of these documents are available online at www.freescale.com/FRDM-KL43Z.

Table 1. FRDM-KL43Z reference documents

File name	Description
FRDM-KL43Z Quick Start Package	Quick Start Guide and supporting files for getting started with the FRDM-KL43Z.
FRDM-KL43Z User's Guide	This document—overview and detailed information for the FRDM-KL43Z hardware.
FRDM-KL43Z Pinouts	Spreadsheet of pin connections for all MCU pins. Includes pinout for the I/O headers, Arduino R3 compatibility chart, and OpenSDA MCU pinout.
FRDM-KL43Z Schematics	PDF schematics for the FRDM-KL43Z hardware.
FRDM-KL43Z Design Package	Zip file containing all design source files for the FRDM-KL43Z hardware.
OpenSDA User's Guide	Overview and instructions for use of the OpenSDA embedded.

3 Getting started

Refer to the FRDM-KL43Z Quick Start Package for step-by-step instructions for getting started with the FRDM-KL43Z. See the “Jump Start Your Design” section on <http://www.freescale.com/FRDM-KL43Z> for the Quick Start Package and software lab guides.

4 FRDM-KL43Z hardware overview

The features of the FRDM-KL43Z include:

- MKL43Z256VLLZ4 MCU (48 MHz, 256 KB flash memory, 32 KB RAM, 16 KB ROM (with Kibble), Low power, 64LQFP package)
- Dual role USB interface with mini-B USB connector
- OpenSDA
- Four-digit segment LCD module
- Capacitive touch slider (not directly connected; 0R should be populated)
- Ambient light sensor
- MMA8451Q accelerometer
- MAG3110 magnetometer

- 2 user LEDs
- 2 user push buttons
- Flexible power supply options – USB, coin cell battery, external source
- Battery-ready, power-measurement access points
- Easy access to MCU I/O via Arduino R3 compatible I/O connectors
- Programmable OpenSDA debug interface with multiple applications available including:
 - Mass storage device flash programming interface
 - P&E Debug interface provides run-control debugging and compatibility with IDE tools
 - CMSIS-DAP interface: new ARM standard for embedded debug interface
 - Data logging application
- Arduino R3 compatibility

Figure 1 shows a block diagram of the FRDM-KL43Z design. The primary components and their placement on the hardware assembly are pointed out in Figure 2.

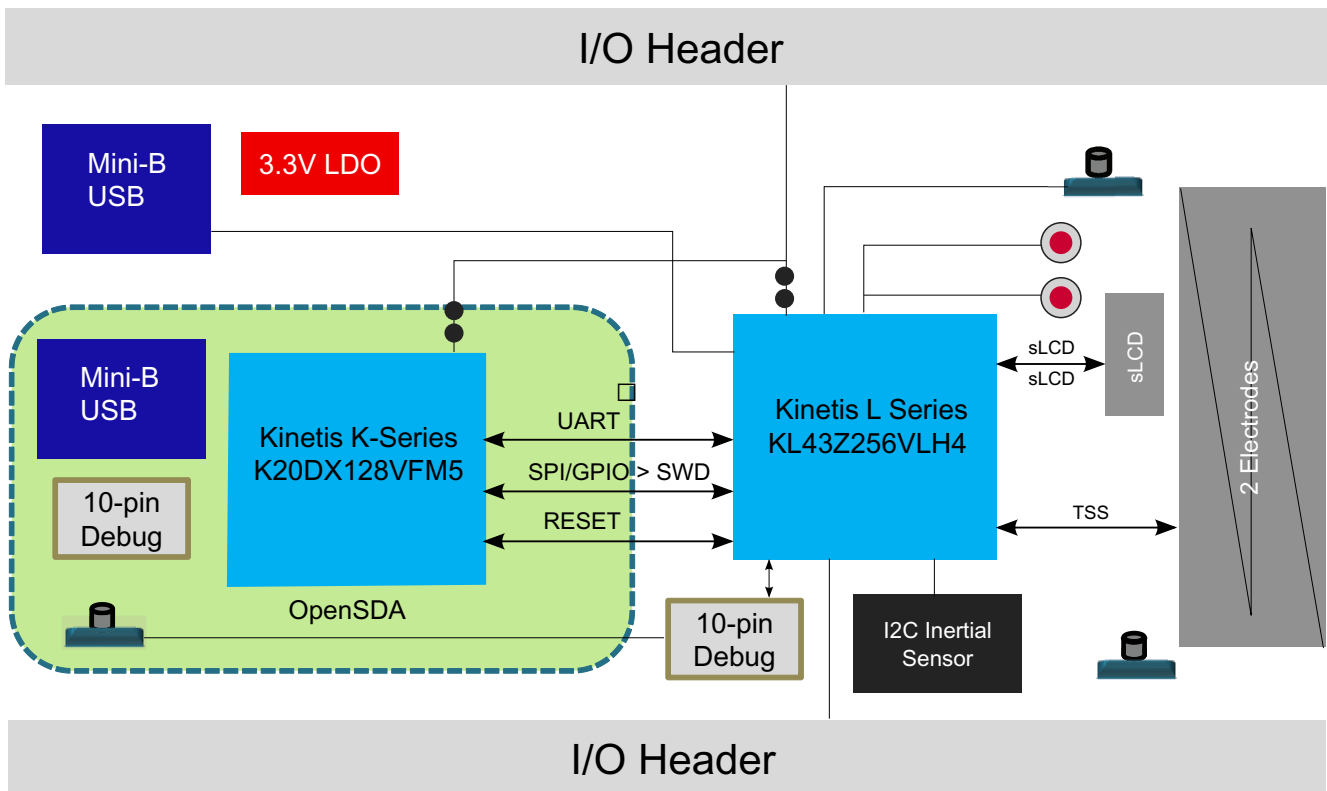


Figure 1. FRDM-KL43Z block diagram

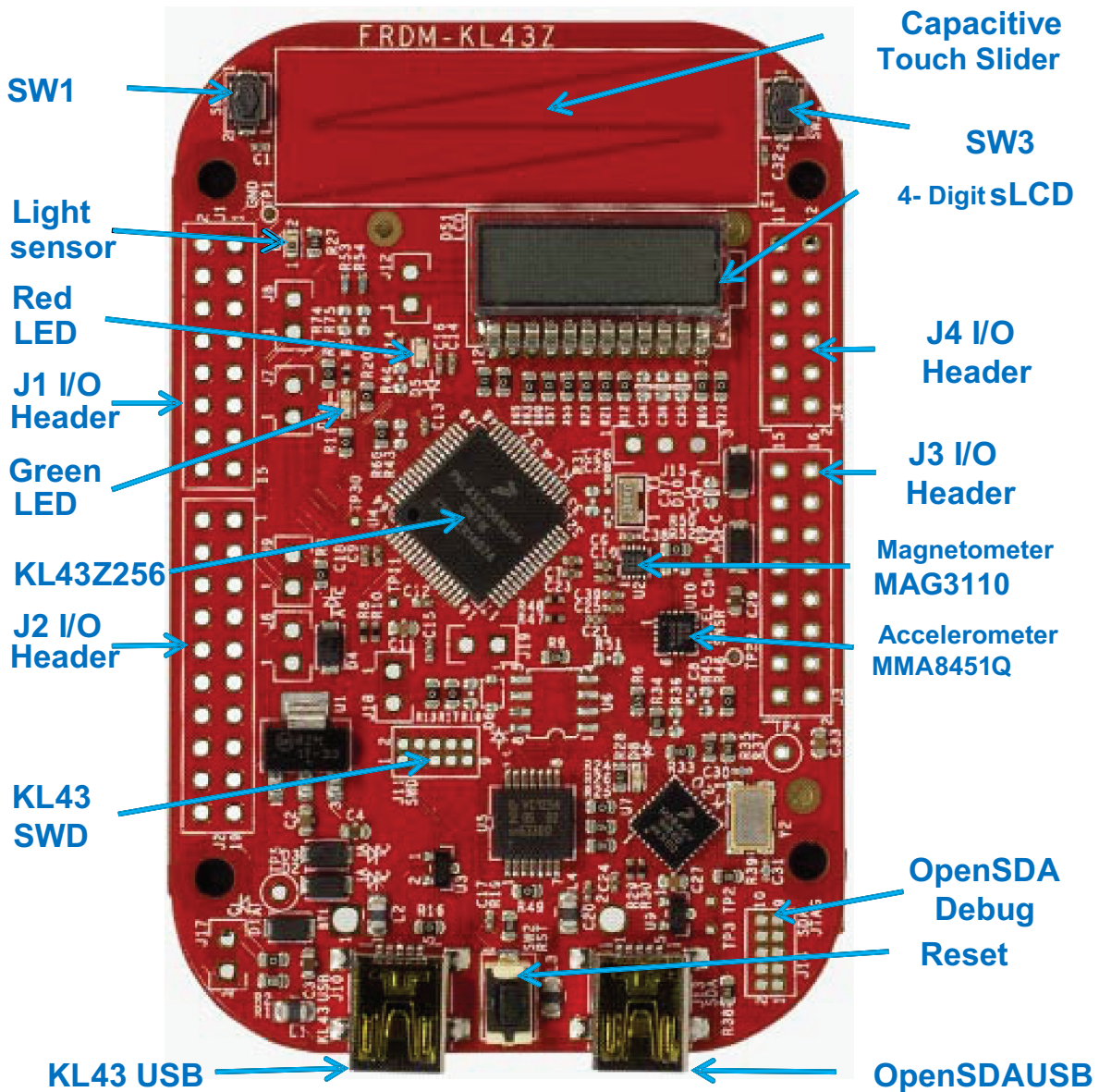


Figure 2. FRDM-KL43Z main components placement.

5 FRDM-KL43Z hardware description

5.1 Power supply

There are multiple power supply options on the FRDM-KL43Z. It can be powered from either of the USB connectors, the V_{IN} pin on the I/O header, an on-board coin cell battery, or an off-board 1.71–3.6 V supply from the 3.3 V pin on the I/O header. The USB and V_{IN} supplies are regulated on-board using a 3.3 V linear regulator

to produce the main power supply. The other two sources are not regulated on-board. Table 2 provides the operational details and requirements for the power supplies.

Table 2. FRDM-KL43 power requirements

Supply source	Valid range	OpenSDA operational?	Regulated on-board?
OpenSDA USB	5 V	Yes	Yes
KL43 USB	5 V	No	Yes
V _{IN} Pin	4.3–9 V	No	Yes
3.3 V Pin	1.71–3.6 V	No	No
Coin cell battery	1.71–3.6 V	No	No

Note that the OpenSDA circuit is only operational when a USB cable is connected and is supplying power to OpenSDA USB. However, protection circuitry is in place to allow multiple sources to be powered at once.

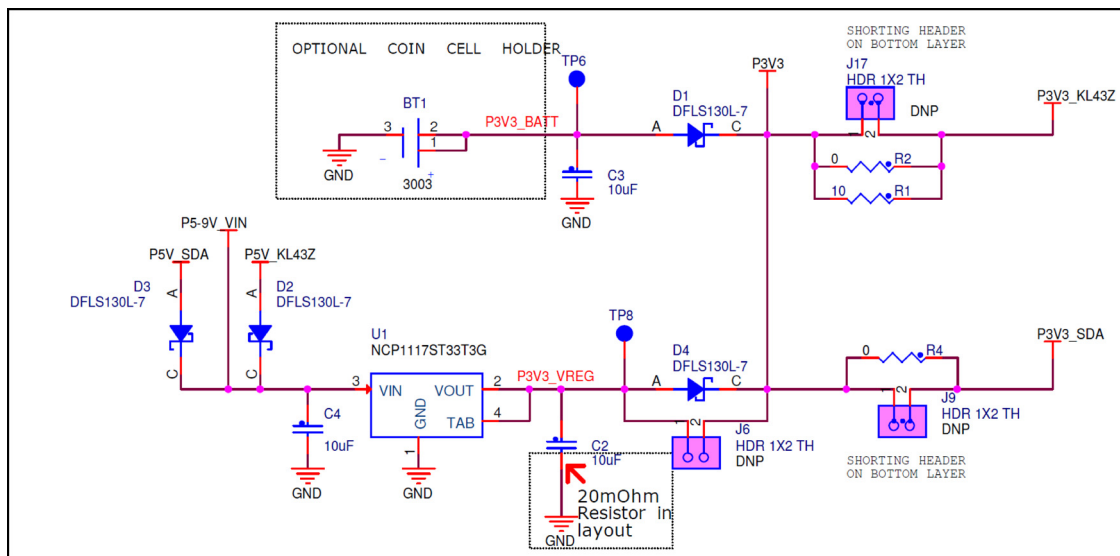


Figure 3. Power supply schematic

Table 3. FRDM-KL43Z power supplies

Power supply name	Description
P5-9V_VIN	Power supplied from the V _{IN} pin of the I/O headers (J3 pin 16).
P5V_SDA	Power supplied from the OpenSDA USB connector A Schottky diode provides back drive protection.
P5V_KL43Z	Power supplied from the KL43Z USB connector A Schottky diode provides back drive protection.
P3V3_VREG	Regulated 3.3 V supply. Sources power to the P3V3 supply rail through a back drive protection Schottky diode. ¹
P3V3_BATT	Coin cell battery supply voltage. Sources power to the P3V3 supply rail through a back drive protection Schottky diode.
P3V3	Main supply rail for FRDM-KL43Z assembly. May be sourced from P3V3_VREG, P3V3_BATT, or directly from the I/O headers (J3 pin 8).
P3V3_KL43Z	KL43Z MCU supply. Header J17 provides a convenient means for energy consumption measurements. ^{2,3}
P3V3_SDA	OpenSDA circuit supply. Header J9 provides a convenient means for energy consumption measurements. ²
P5V_USB	Nominal 5 V supplied to the I/O headers (J3 pin 10). Sourced from either the P5V_KL43Z or P5V_SDA supply through a back drive protection Schottky diode.

¹ By default the linear regulator, U1, is a 3.3 V output regulator. However, this is a common footprint that would allow the user to modify the assembly to utilize an alternative device such as a 1.8 V or 2.5 V regulator. The KL43 microcontroller has an operating range of 1.71 V to 3.6 V.

² J17 and J9 are not populated by default. The two pins of these headers are shorted together by a trace on the bottom layer of the PCB. To measure the energy consumption of either the KL43 or the OpenSDA MCU, the trace between these pins must first be cut. A current probe or a shunt resistor and voltage meter can then be applied to measure the energy consumption on these rails.

³ J20 is not populated by default. The two pins of this header are shorted together by a trace on the bottom layer of the PCB. To measure the energy consumption of digital part of KL43, the trace between these pins must first be cut. A current probe or a shunt resistor and voltage meter can then be applied to measure the energy consumption on these rails.

5.2 Serial and debug adapter (OpenSDA)

OpenSDA is an open-standard serial and debug adapter. It bridges serial and debug communications between a USB host and an embedded target processor as shown in [Figure 4](#). The hardware circuit is based on a Freescale Kinetis K20 family microcontroller (MCU) with 128 KB of embedded flash and an integrated USB controller. OpenSDA features a mass storage device (MSD) bootloader, which provides a quick and easy mechanism for loading different OpenSDA applications such as flash programmers,

run-control debug interfaces, serial-to-USB converters, and more. Refer to the *OpenSDA User's Guide* for more details.

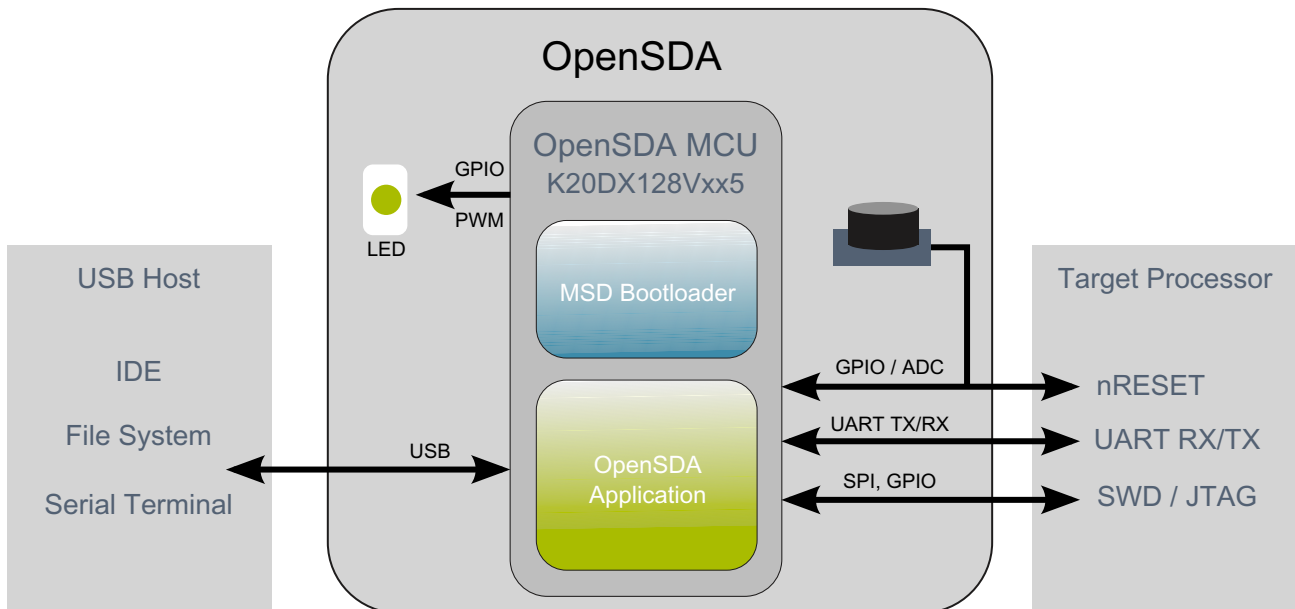


Figure 4. OpenSDA high-level block diagram

OpenSDA is managed by a Kinetis K20 MCU built on the ARM® Cortex™-M4 core. The OpenSDA circuit includes a status LED (D8) and a push button (SW2). The push button asserts the Reset signal to the KL43 target MCU. It can also be used to place the OpenSDA circuit into Bootloader mode. SPI and GPIO signals provide an interface to either the SWD debug port of the K20. Additionally, signal connections are available to implement a UART serial channel. The OpenSDA circuit receives power when the USB connector J13 is plugged into a USB host.

5.2.1 Debug interface

Signals with SPI and GPIO capability are used to connect directly to the SWD of the KL43. These signals are also brought out to a standard 10-pin (0.05") Cortex Debug connector (J11). It is possible to isolate the KL43 MCU from the OpenSDA circuit and use J11 to connect to an off-board MCU. To accomplish this, cut the trace on the bottom side of the PCB that connects J18 pin 2 to J11 pin 2. This will disconnect the SWD_CLK pin to the KL43 so that it will not interfere with the communications to an off-board MCU connected to J11.

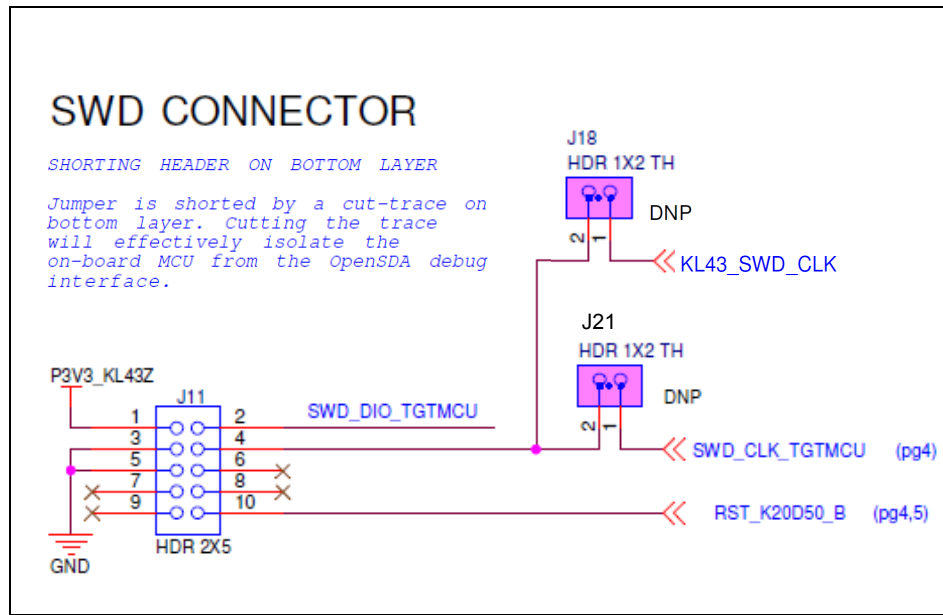


Figure 5. SWD debug connector

Note that J11 is not-populated by default. A Samtec FTSH-105-02-F-D or compatible connector can be added to the J11 through-hole connector. A mating cable, such as a Samtec FFSD IDC cable, can then be used to connect from the OpenSDA of the FRDM-KL43Z to an off-board SWD connector.

5.2.2 Virtual serial port

A serial port connection is available between the OpenSDA MCU and pins PTA1 and PTA2 of the KL43. Several of the default OpenSDA applications provided by Freescale, including the MSD flash programmer and the P&E debug application, provide a USB Communications Device Class (CDC) interface that bridges serial communications between the USB host and this serial interface on the K20.

5.3 MKL43Z256 microcontroller

The target microcontroller of the FRDM-KL43Z is the KL43Z256VLH4, a Kinetis L series device in a 64 LQFP package. The KL43Z MCU features include:

- 32-bit ARM Cortex-M0+ core
 - up to 48 MHz operation
 - Single-cycle fast I/O access port
- Memories
 - 256 KB flash memory
 - 32 KB SRAM
 - 16 K ROM (with Kinetis bootloader Kibble included)
- System integration
 - Power management and mode controllers
 - Low-leakage wakeup unit

- Bit manipulation engine for read-modify-write peripheral operations
- Direct memory access (DMA) controller
- Computer operating properly (COP) Watchdog timer
- Clocks
 - Clock generation module with high frequency internal reference clock (HIRC) 48 MHz, and two low frequency internal reference clocks (LIRC) 2 MHz and 8 MHz, for system and CPU clock generation
 - System oscillator supporting external crystal or resonator
 - Low-power 1 kHz RC oscillator for RTC and COP watchdog
- Analog peripherals
 - 16-bit SAR ADC w/ DMA support
 - 12-bit DAC w/ DMA support
 - High-speed analog comparator containing a 6-bit DAC and programmable reference input
 - VREF 1.2 V voltage reference
- Communication peripherals
 - One Integrated Interchip Sound (I2S) Audio Interface (SAI)
 - Two 8-bit Serial Peripheral Interfaces (SPI)
 - USB FS device controller
 - USB voltage regulator
 - Two I²C modules
 - Two low-power UART modules (LPUART)
 - One UART with ISO7816 module
 - One FlexIO module (with 8 pins/4 shifters/4 timers implemented)
- Timers
 - One 6-channel Timer/PWM module
 - Two 2-channel Timer/PWM modules
 - 2-channel Periodic Interrupt Timer (PIT)
 - Real time clock (RTC)
 - Low-power Timer (LPT)
 - System tick timer
- Human-Machine Interfaces (HMI)
 - Segment LCD controller — maximum segment is 8×28/4×32
 - General purpose input/output controller

5.3.1 Clock source

The Kinetis KL43 microcontrollers feature an on-chip oscillator compatible with three ranges of input crystal or resonator frequencies: 32–40 kHz (low frequency mode), 3–8 MHz (high frequency mode, low

range) and 8–32 MHz (high frequency mode, high range). The KL43Z256 on the FRDM-KL43Z can be clocked from 32 kHz external crystal.

5.3.2 USB interface

The Kinetis KL43 microcontrollers feature full speed device USB controller (with crystal-less feature). The USB interface on the FRDM-KL43Z is configured as a full-speed USB device. VREGIN must be powered to enable the internal circuitry of USB (by jumper J7).

5.3.3 Serial port

The primary serial port interface signals are PTA1 LPUART0 RX and PTA2 LPUART0 TX. These signals are connected via the OpenSDA.

5.3.4 Reset

The RESET signal on the K20 is connected externally to a push button, SW2, and also to the OpenSDA circuit. The reset button can be used to force an external reset event in the target MCU. The reset button can also be used to force the OpenSDA circuit into bootloader mode. Please refer to [Section 5.2, “Serial and debug adapter \(OpenSDA\)”](#), for more details.

5.3.5 Debug

The sole debug interface on all Kinetis L series devices is a Serial Wire Debug (SWD) port. The primary controller of this interface on the FRDM-KL43Z is the onboard OpenSDA circuit (see [Section 5.2, “Serial and debug adapter \(OpenSDA\)”](#)). However, an unpopulated 10-pin (0.05”) Cortex Debug connector, J11, provides access to the SWD signals. The Samtec FTSH-105-02-F-D or compatible connectors can be added to the J11 through-hole debug connector to allow for an external debug cable to be connected.

5.3.6 Segment LCD

FRDM-KL43Z uses a 4–digit display (LUMEX LCD-S401M16KR) 4×8 segments. The following table shows connection from KL43 to s401 display.

Table 4. sLCD connections

s401 pin	KL43 LCD Pin
1	LCD_P59 (COM0)
2	LCD_P60 (COM1)
3	LCD_P14 (COM2)
4	LCD_P15 (COM3)
5	LCD_P20 (1D/1E/1G/1F)
6	LCD_P24 (DP1/1C/1B/1A)
7	LCD_P26 (2D/2E/2G/2F)

Table 4. sLCD connections (continued)

s401 pin	KL43 LCD Pin
8	LCD_P27 (DP2/2C/2B/2A)
9	LCD_P40 (3D/3E/3G/3F)
10	LCD_P42 (DP3/3C/3B/3A)
11	LCD_P43 (4D/4E/4G/4F)
12	LCD_P144 (COL/4C/4B/4A)

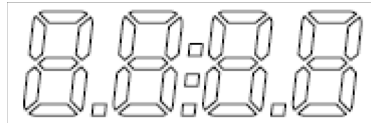


Figure 6. s401 segment layout

5.3.7 Capacitive touch slider

Two general purpose I/Os (with interrupt functionality), PTA12 and PTA13, can be connected to capacitive electrodes configured as a touch slider via 0R resistors. Because the TSI module is not included on the KL43, this functionality was not primary. Freescale's Touch Sense Software (TSS) provides a software library for implementing the capacitive touch slider using GPIO method.

5.3.8 Three-axis accelerometer

A Freescale MMA8451Q low-power, three-axis accelerometer is interfaced through an I²C bus and two GPIO signals as shown in Table 5 below. By default, the I²C address is 0x1D (SA0 pulled high).

Table 5. Accelerometer signal connections

MMA8451Q	KL43 pin
SCL	PTE24/TPM0_CH0/I2C0_SDA
SDA	PTE25/TPM0_CH1/I2C0_SCL
INT1_ACCEL	PTC5/LLWU_P9
INT2_ACCEL	PTD1 (shared with INT2_MAG)

5.3.9 Three-axis digital magnetometer

A Freescale MAG3110 three-axis digital magnetometer is interfaced through an I²C bus and one GPIO signal, as shown in Table 6 below. The I²C address is 0x1E.

Table 6. Magnetometer signal connections

MAG3110	KL43
SCL	PTE25/TPM0_CH1/I2C0_SDA
SDA	PTE24/TPM0_CH0/I2C0_SCL
INT1_MAG	PTD1 (shared with INT2_ACCEL) can be isolated by removing R50

5.3.10 LEDs

Two LEDs, a green LED and a red LED, are PWM capable (TPM0 CH4, CH5). Signal connections are shown in [Table 7](#).

Table 7. LED signal connections

LED	KL43
Red	PTE31/TPM0_CH4
Green	PTD5/LCD_P45/ADC0_SE6B/SPI1_SCK/UART2_TX/TPM0_CH5

5.3.11 Visible light sensor

The FRDM-KL43Z has a visible light sensor that is connected to ADC0_SE3, available on the PTE22 pin.

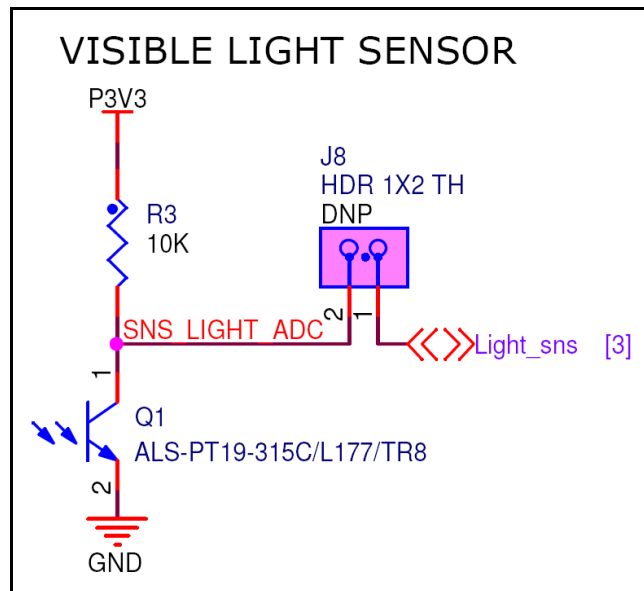


Figure 7. Visible light sensor schematic

5.3.12 Input/output connectors

The MKL43Z256VLH4 microcontroller is packaged in a 64-pin LQFP. Some pins are utilized in on-board circuitry, but many are directly connected to one of four I/O headers. Most of the pins available on I/O header have shared functionality with the on-board circuitry.

NOTE

Care must be taken to avoid dual functionality between on-board circuitry and I/O header. Some of the pins with the dual functionality use 0R resistors for connection to specified functionality, for example, most of the LCD pins have shared functionality with I/O header. If you want to use these pins with I/O header then it is necessary to remove 0R resistors connected to the LCD.

The pins on the KL43 microcontroller are named for their general purpose input/output port pin function. For example, the first pin on Port A is referred to as PTA1. The I/O connector pin names are given the same name as the KL43 pin connected to it, where applicable.

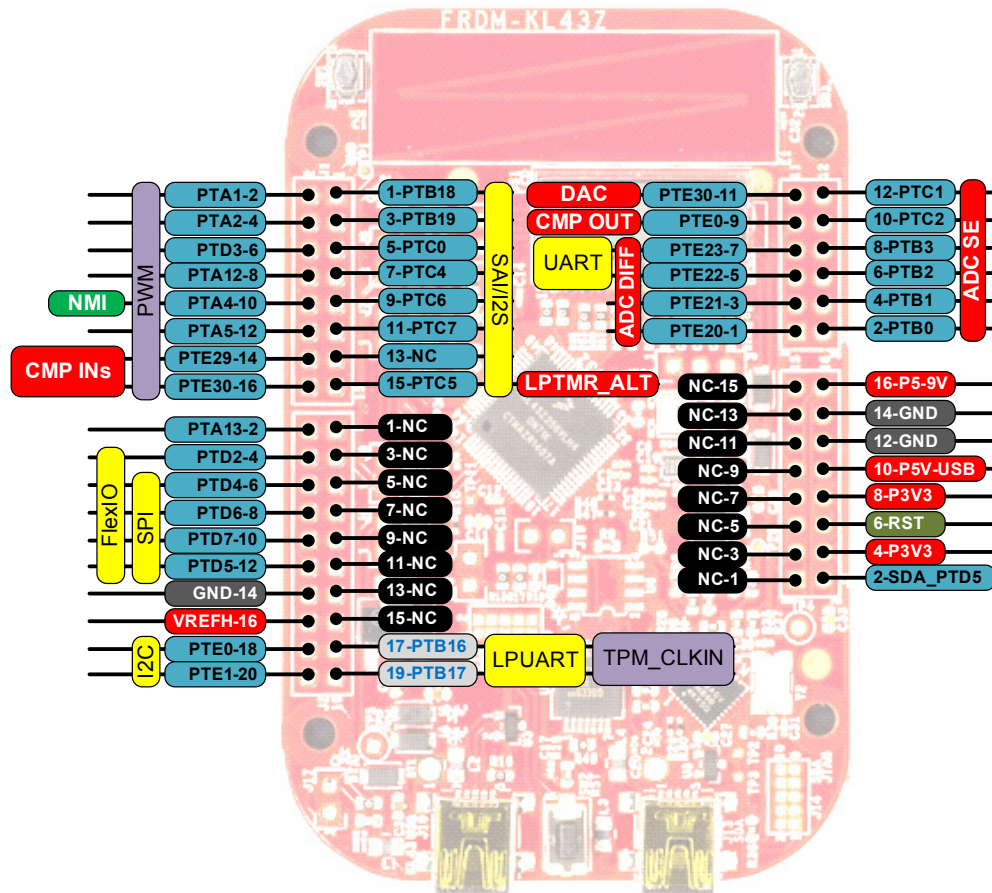


Figure 8. FRDM-KL43Z pinout (with selected functionalities)

All pinout data is available in spreadsheet format in *FRDM-KL43Z Pinouts*. See [Section 2, “Reference documents”](#) for details.

5.3.13 Arduino compatibility

The I/O headers on the FRDM-KL43Z are arranged to allow compatibility with peripheral boards (known as shields) that connect to Arduino and Arduino-compatible microcontroller boards. The outer rows of pins (the even numbered pins) on the headers share the same mechanical spacing and placement as the I/O headers on the Arduino Revision 3 (R3) standard.

How to Reach Us:

Home Page:
freescale.com

Web Support:
freescale.com/support

Information in this document is provided solely to enable system and software implementers to use Freescale products. There are no express or implied copyright licenses granted hereunder to design or fabricate any integrated circuits based on the information in this document.

Freescale reserves the right to make changes without further notice to any products herein. Freescale makes no warranty, representation, or guarantee regarding the suitability of its products for any particular purpose, nor does Freescale assume any liability arising out of the application or use of any product or circuit, and specifically disclaims any and all liability, including without limitation consequential or incidental damages. "Typical" parameters that may be provided in Freescale data sheets and/or specifications can and do vary in different applications, and actual performance may vary over time. All operating parameters, including "typicals," must be validated for each customer application by customer's technical experts. Freescale does not convey any license under its patent rights nor the rights of others. Freescale sells products pursuant to standard terms and conditions of sale, which can be found at the following address: freescale.com/SalesTermsandConditions.

Freescale, the Freescale logo, and Kinetis are trademarks of Freescale Semiconductor, Inc., Reg. U.S. Pat. & Tm. Off. All other product or service names are the property of their respective owners. ARM and Cortex are the registered trademarks of ARM Limited. ARM M0+ is the trademark of ARM Limited.

© 2014 Freescale Semiconductor, Inc.

Document Number: FRDMKL43ZUG
Rev. 0
7/2014

