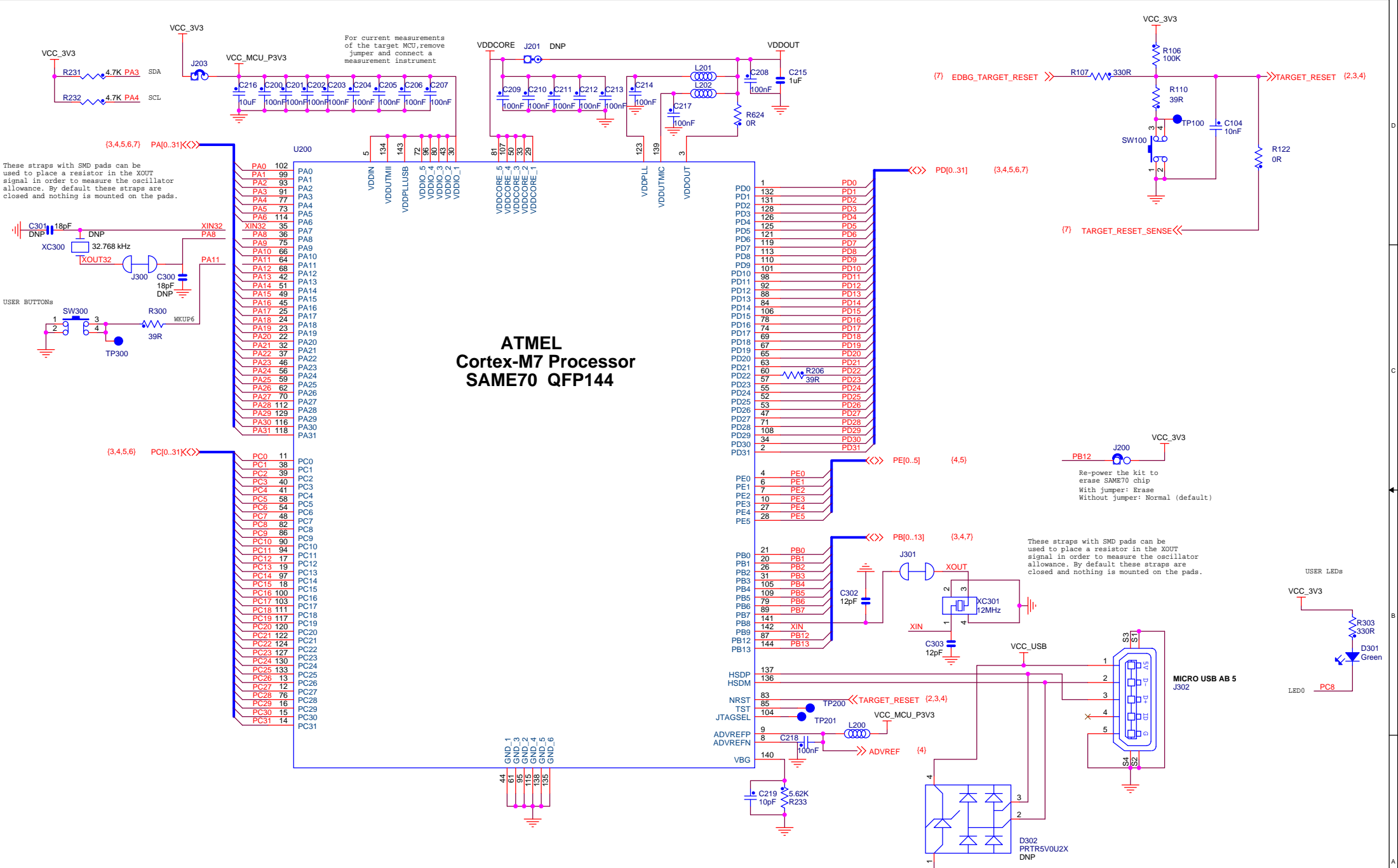
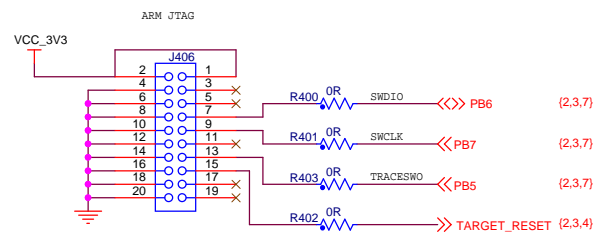
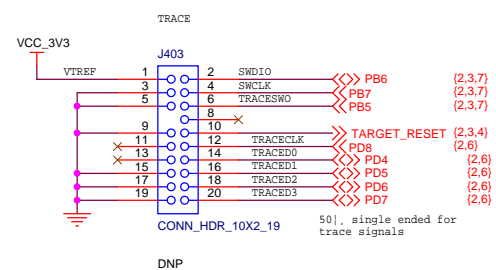
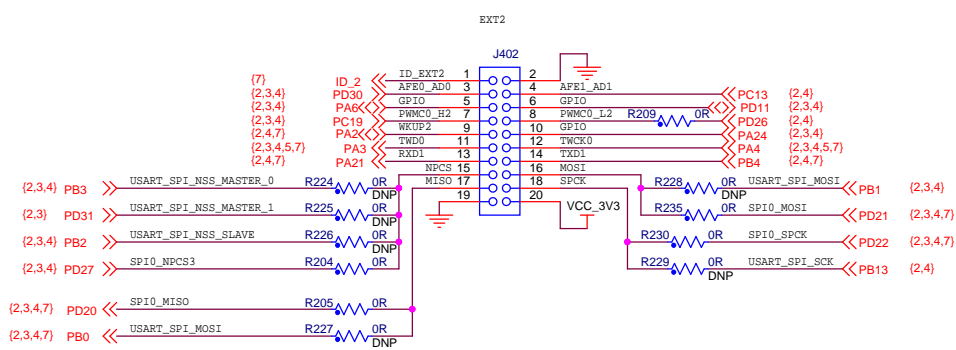
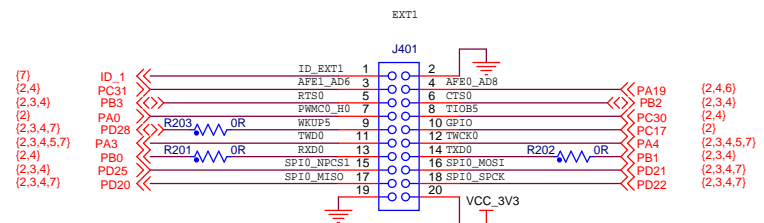
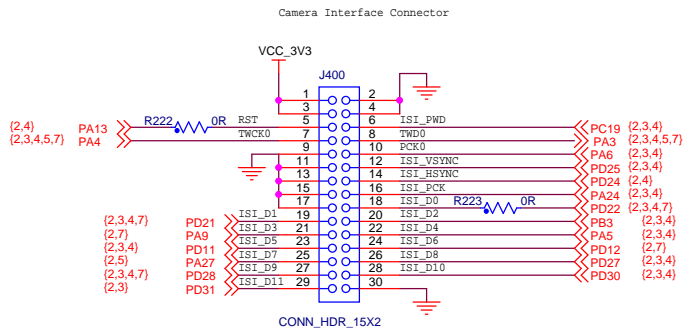


A	RevA	Embest	14-Oct-15			
A	INIT EDIT					
REV	MODIF.	DES.	DATE	VER.	DATE	
SAME70-XPLD		SCALE	1/1		REV.	SHEET
TOP				A	1/4	

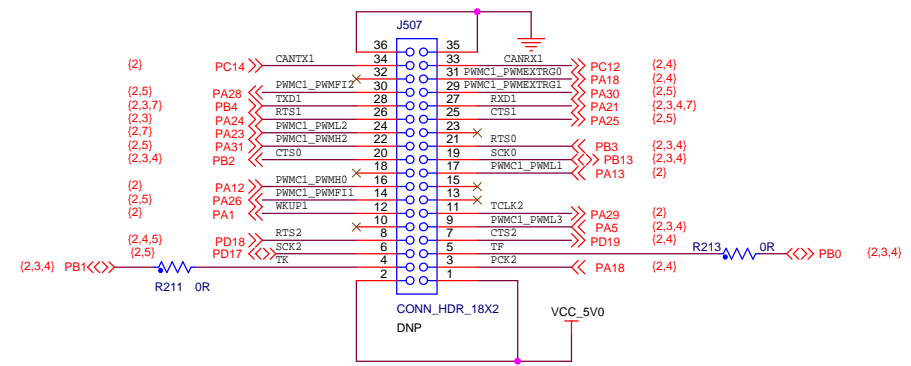
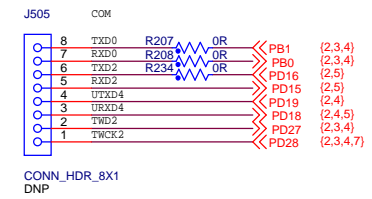
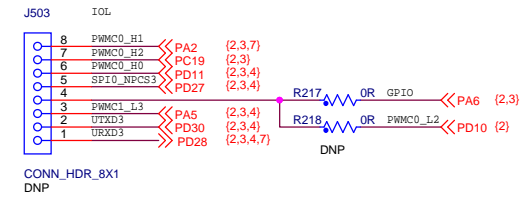
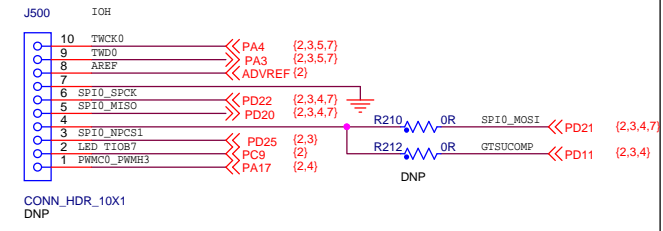
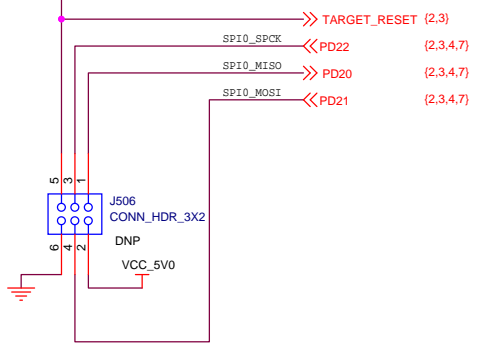
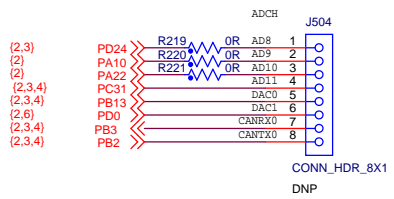
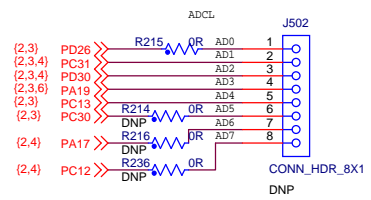
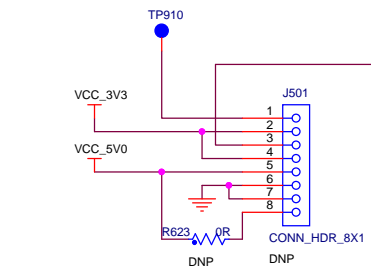


Atmel		RevA	Embest	14-Oct-15		
		INIT EDIT	DES.	DATE	VER.	DATE
SAME70-XPLD		SCALE 1/1			REV. A	SHEET 2/7
SAME70						

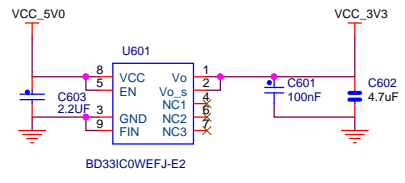
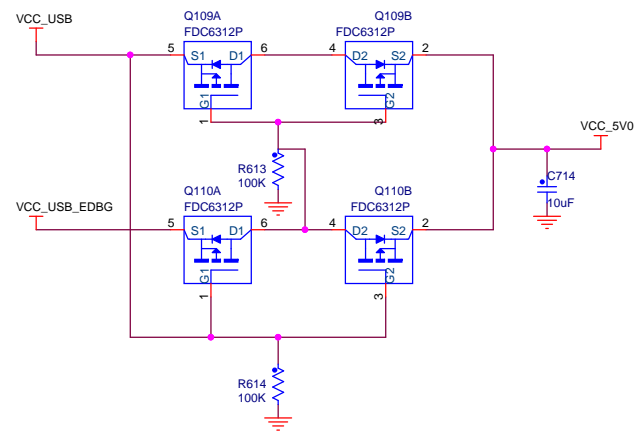
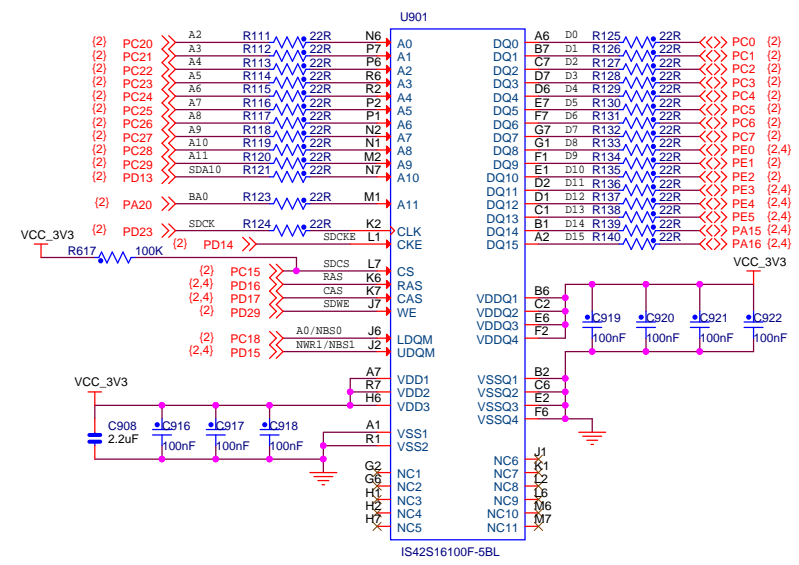
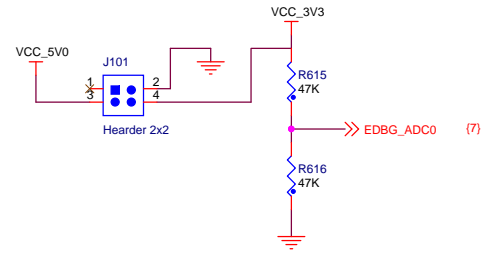
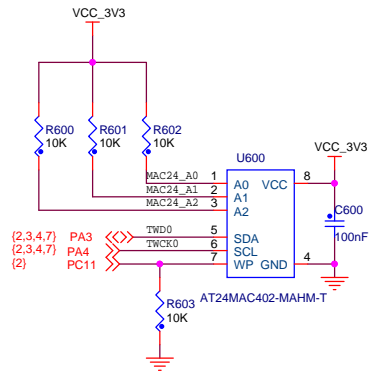
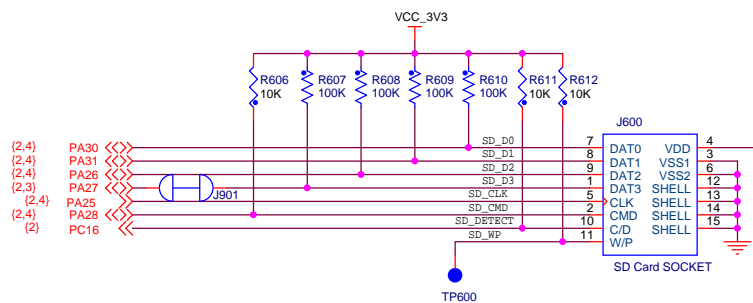


501, single ended for trace signals

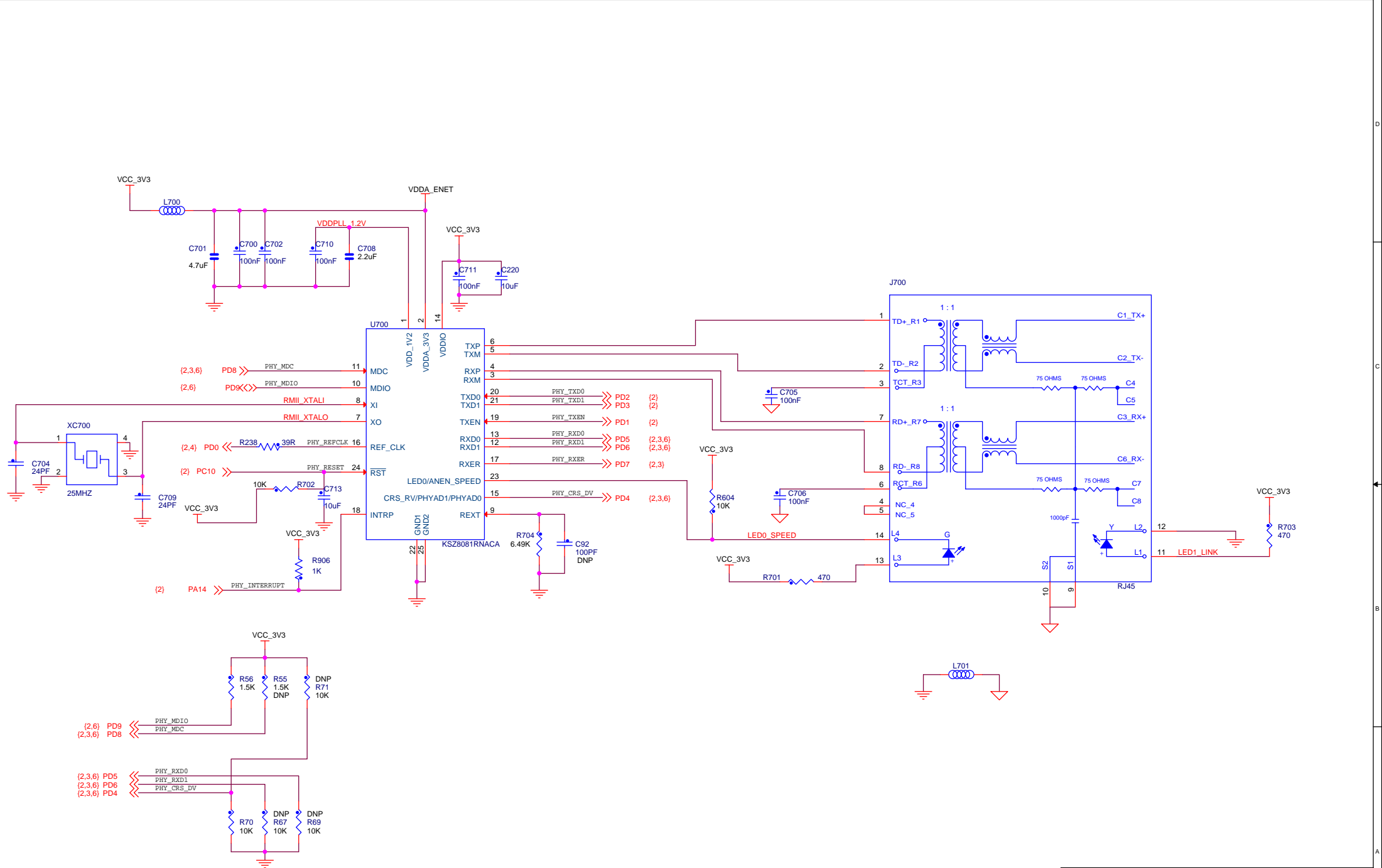
Atmel									
A	RevA	Embest	14-Oct-15						
A	INIT EDIT								
REV	MODIF.	DES.	DATE	VER.	DATE				
SAME70-XPLD		SCALE	1/1	REV.	A			SHEET	3/7
Extension Connectors									



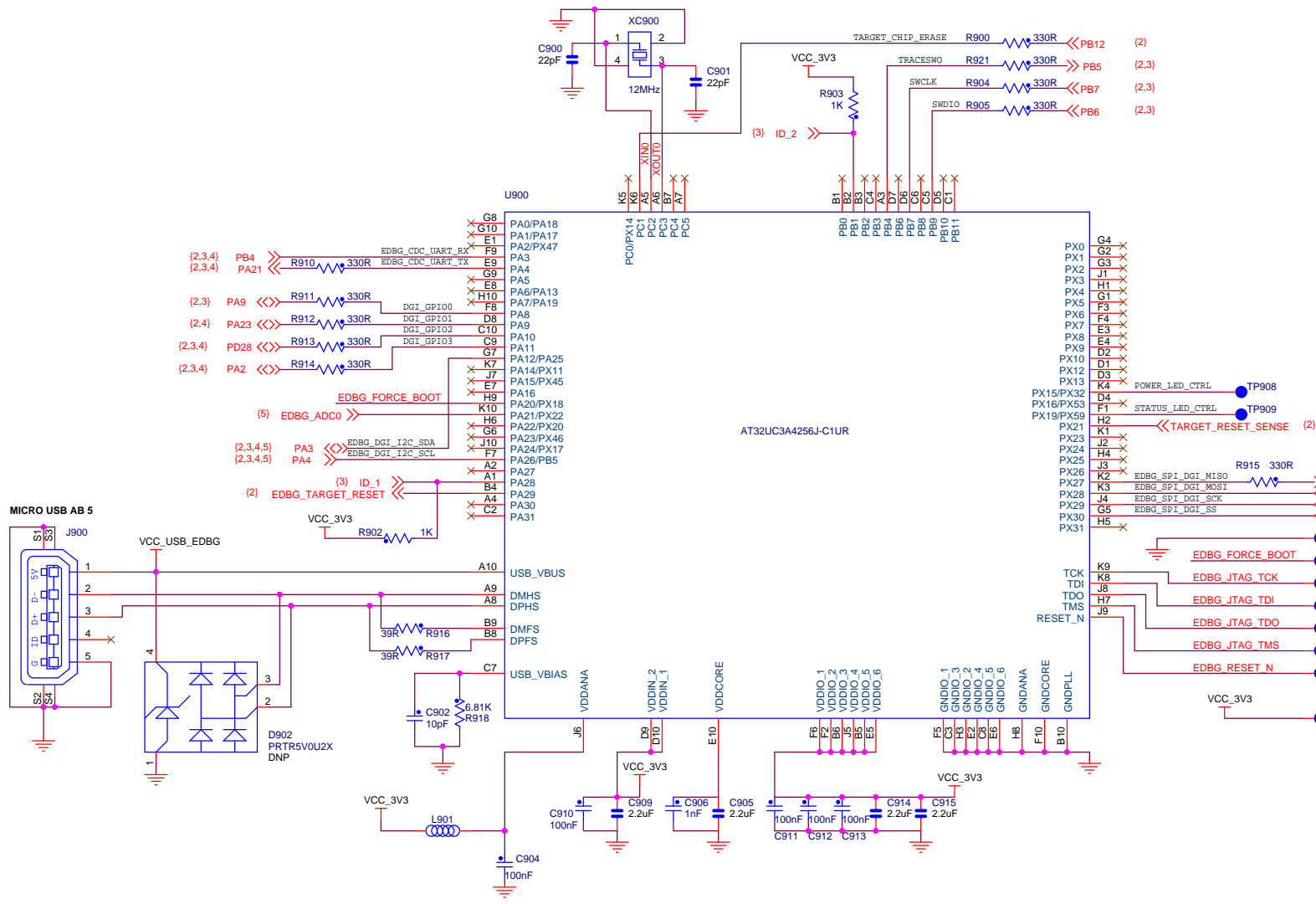
Atmel		RevA	Embtest	14-Oct-15		
		INIT EDIT				
SAME70-XPLD		Rev	DES.	DATE	VER.	DATE
Shield Connectors		SCALE 1/1			REV. A	SHEET 4/7



Atmel		RevA	Embest	14-Oct-15		
		INIT	EDIT			
SAME70-XPLD		SCALE	1/1	REV.	A	SHEET
Memory & Power						5/7



		RevA	Embrest	14-Oct-15		
		INIT	EDIT			
SAME70-XPLD		SCALE	1/1	REV.	DATE	SHEET
Ethernet				A		6/7



Connect TP900 to TP901 during startup of the EDBG to force it into bootloader mode

		RevA		Embest 14-Oct-15	
		INIT	EDIT	DES.	DATE
SAME70-XPLD		SCALE	1/1	REV.	A
Embedded Debugger				SHEET	7/7