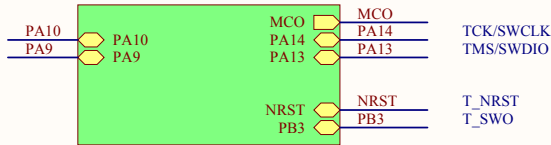
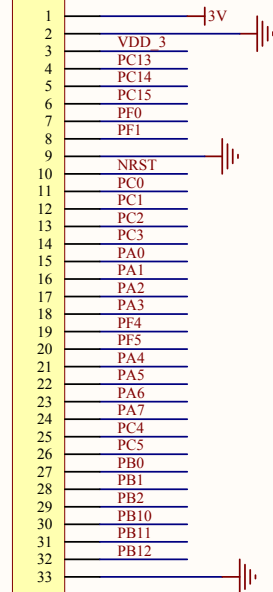


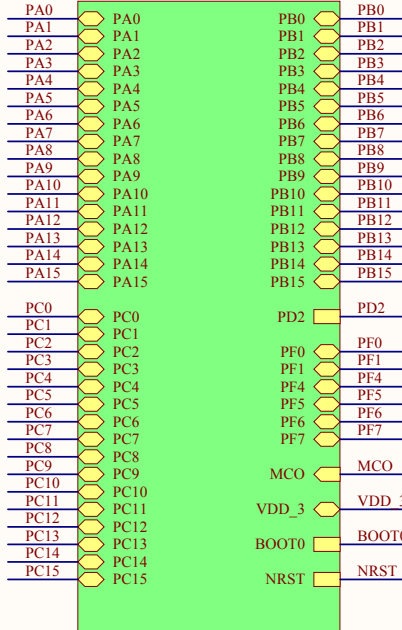
ST_LINK_V2.SCHDOC
U_ST_LINK



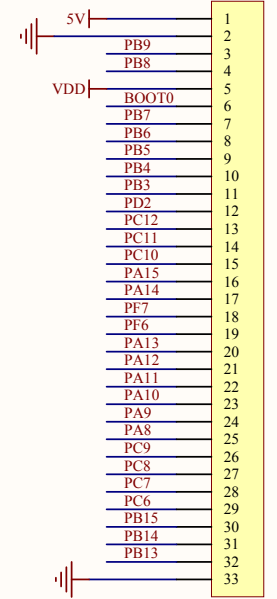
P1



U_STM32Fx
STM32Fx.SchDoc



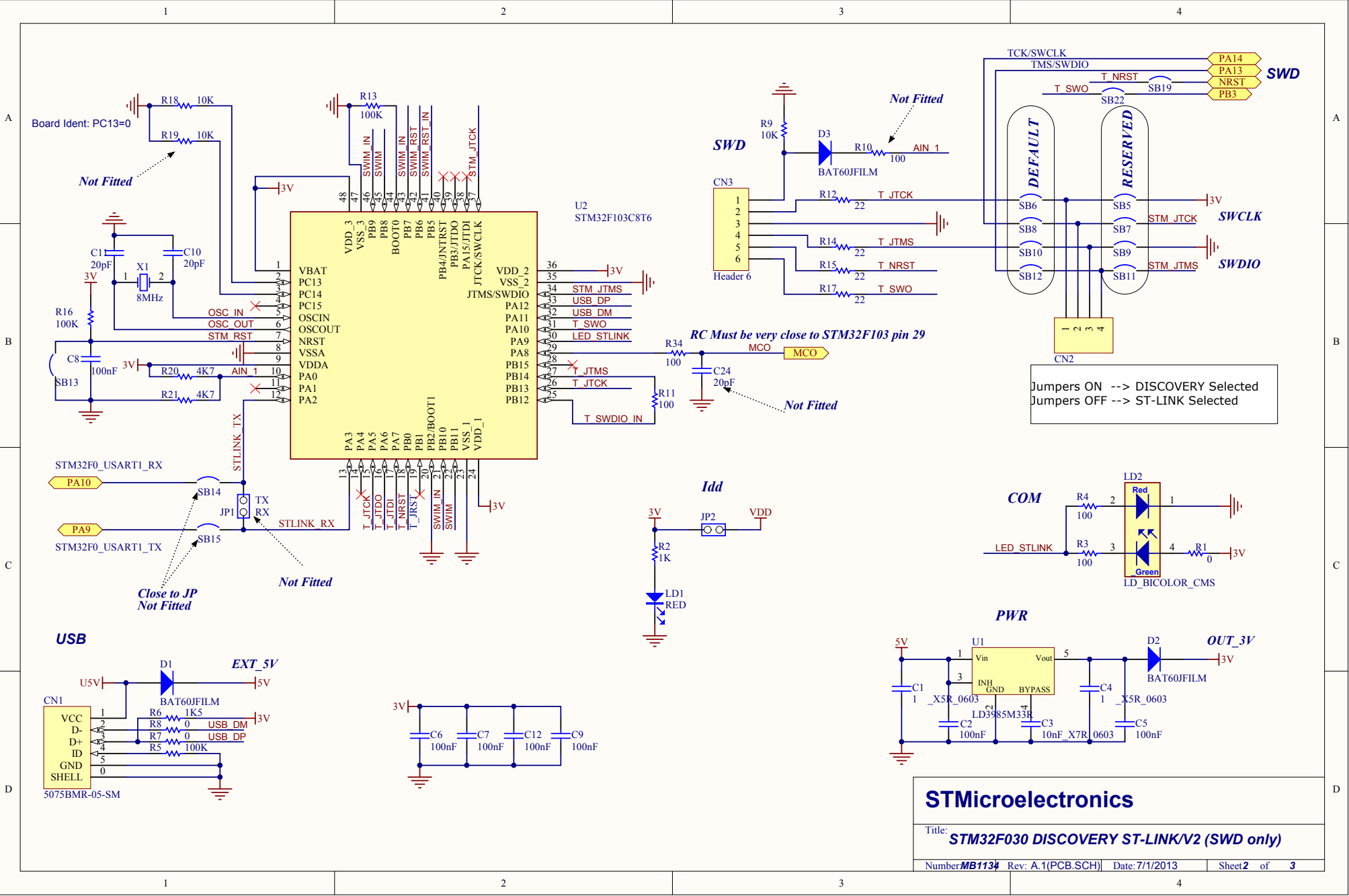
P2



STMicroelectronics

Title: **STM32F030 DISCOVERY**

Number ~~MB1134~~ Rev: A.1(PCB.SCH) Date: 7/4/2013 Sheet 1 of 3



STMicroelectronics

Title: **STM32F030 DISCOVERY ST-LINK/V2 (SWD only)**

Number ~~MB1134~~ Rev: A.1(PCB.SCH) Date: 7/1/2013 Sheet 2 of 3

