

A

A

B

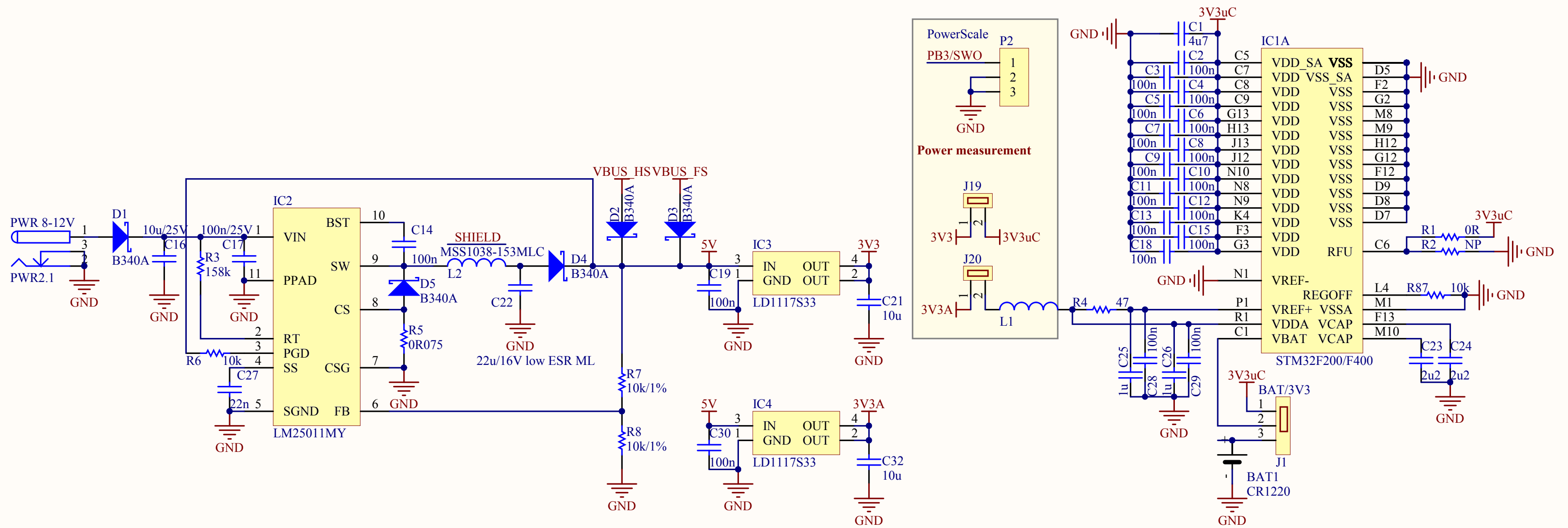
B

C

C

D

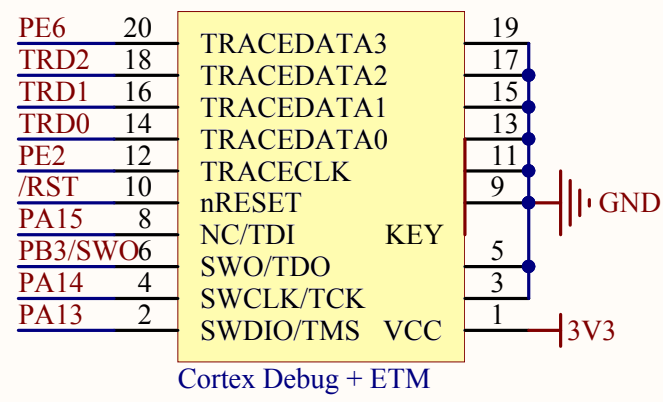
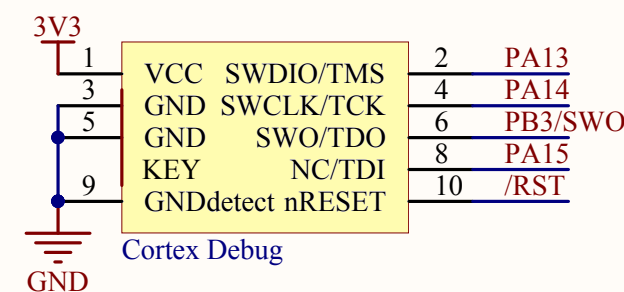
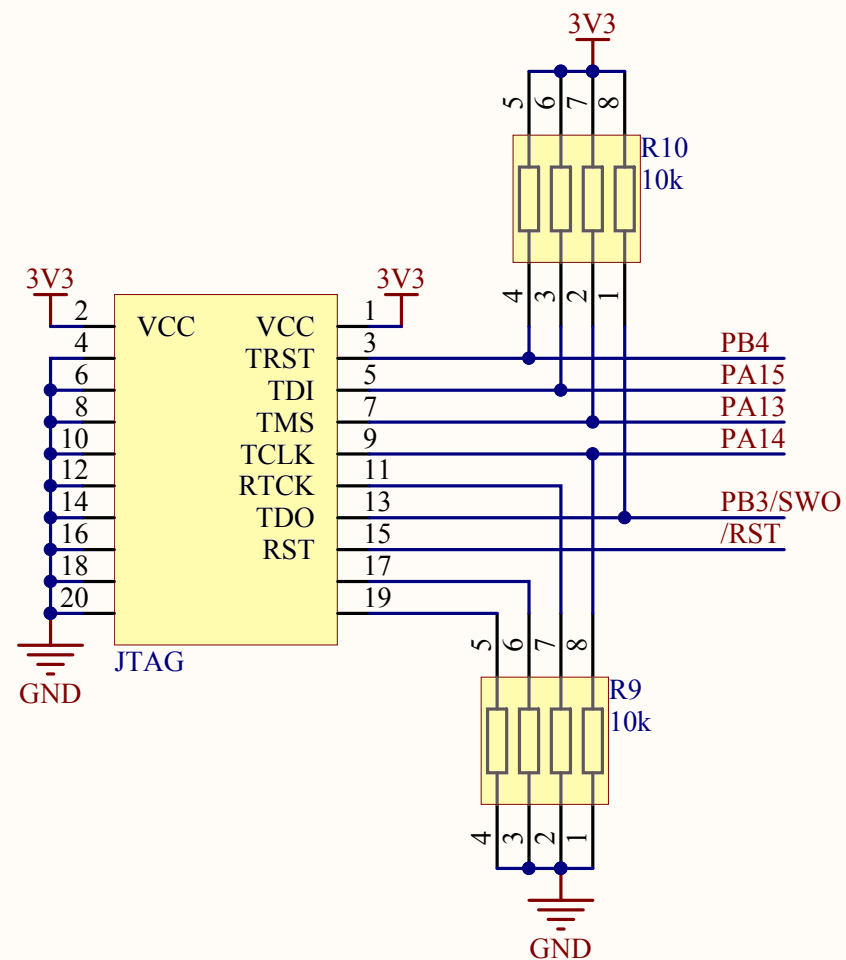
D



MCBSTM32F200/F400

Power.SchDoc	Revision: 1.2
Size: A4	Sheet 1 of 12
Date: 15.10.2013	Web: www.keil.com

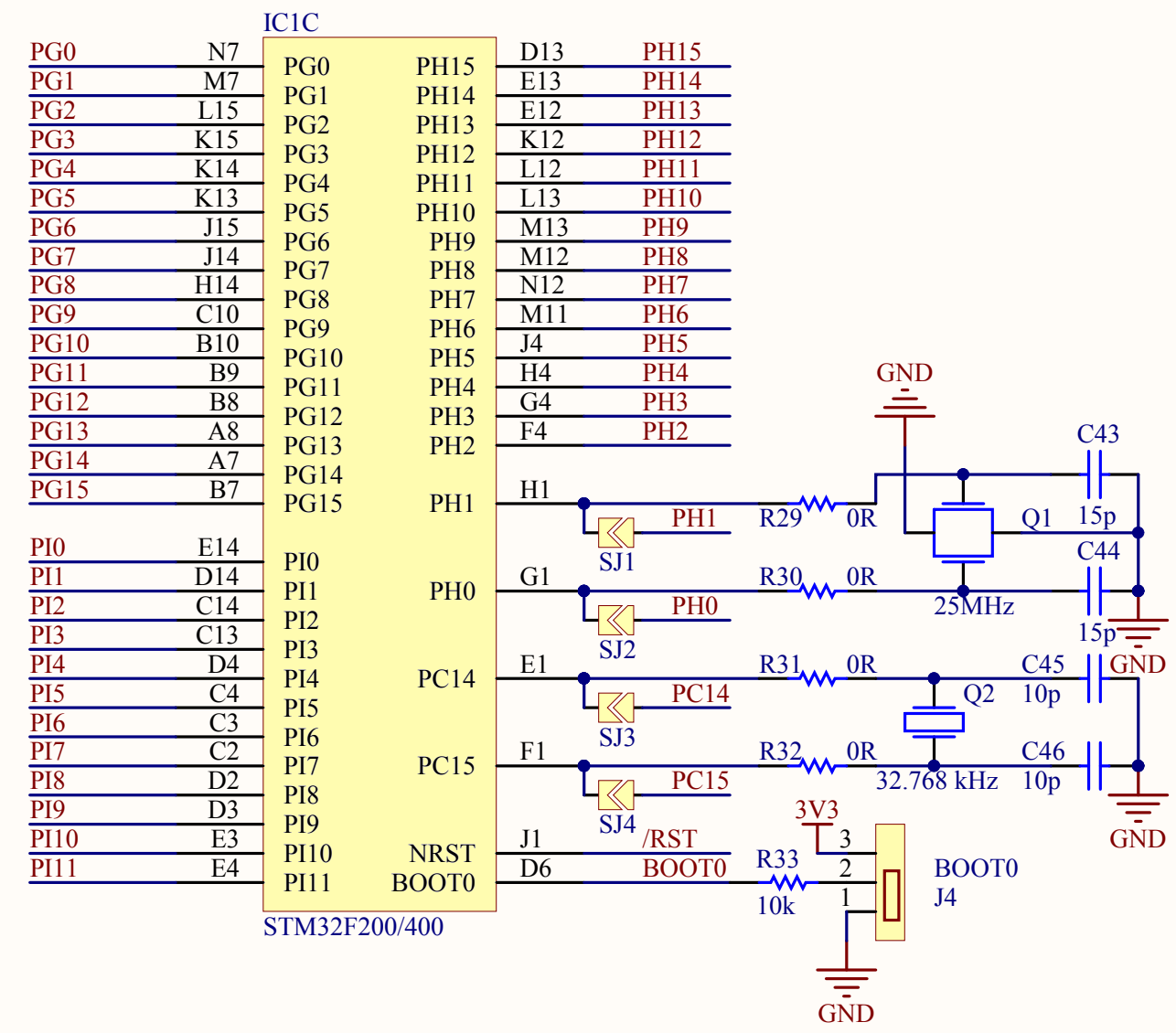
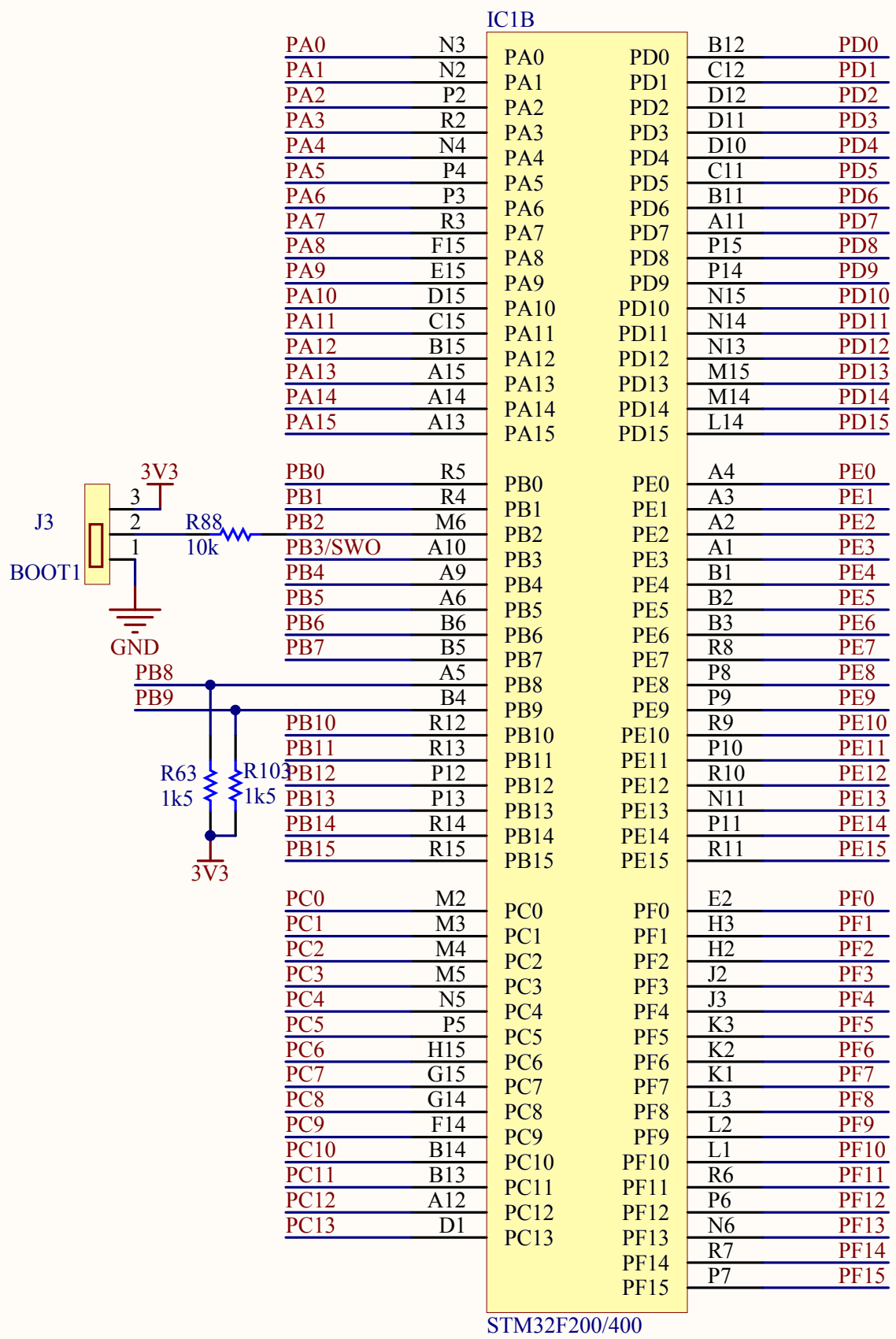




MCBSTM32F200/F400

Debug.SchDoc	Revision: 1.2
Size: A4	Sheet 2 of 12
Date: 15.10.2013	Web: www.keil.com

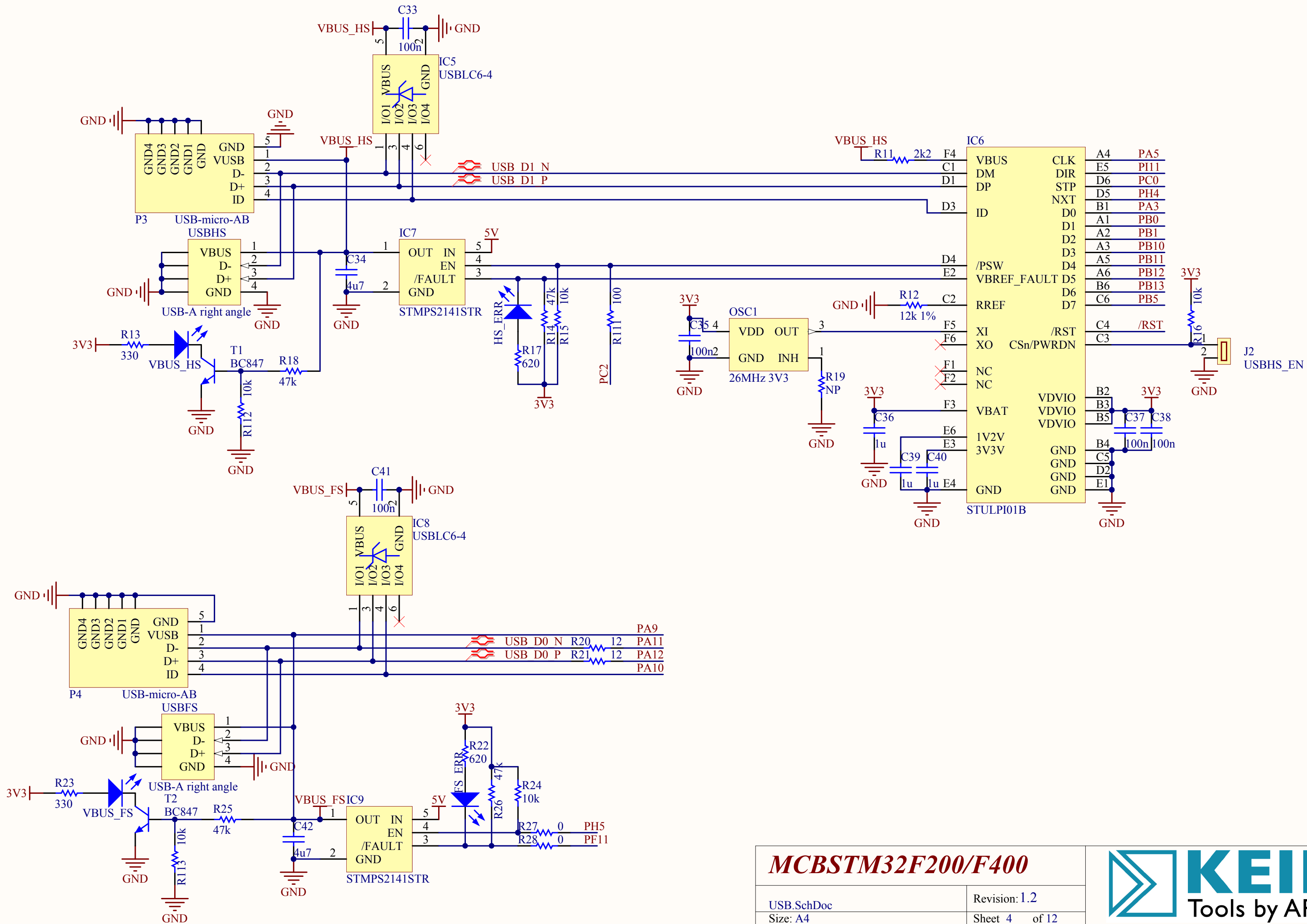




MCBSTM32F200/F400

uC.SchDoc	Revision: 1.2
Size: A4	Sheet 3 of 12
Date: 15.10.2013	Web: www.keil.com

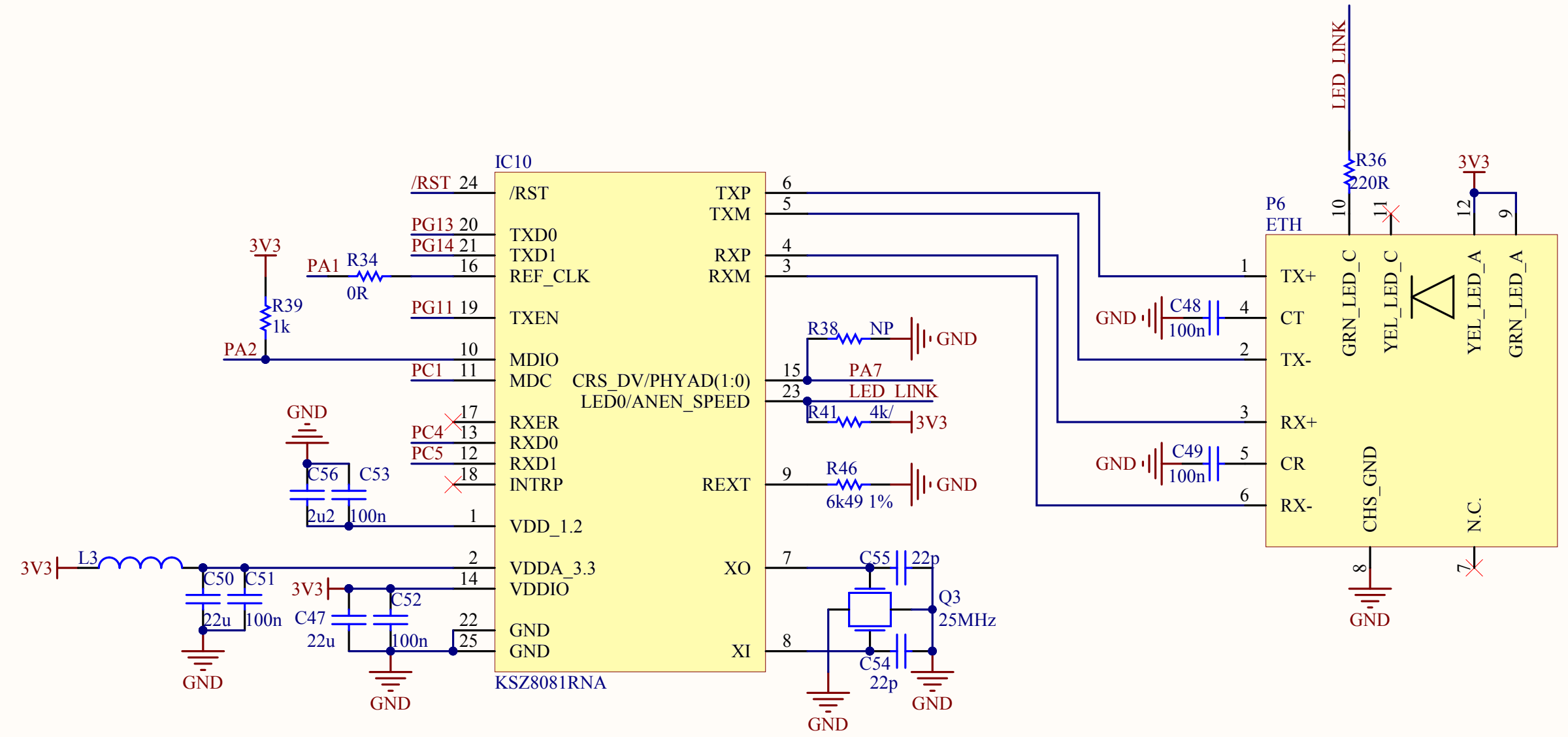




MCBSTM32F200/F400

USB.SchDoc	Revision: 1.2
Size: A4	Sheet 4 of 12
Date: 15.10.2013	Web: www.keil.com





MCBSTM32F200/F400

Ethernet.SchDoc	Revision: 1.2
Size: A4	Sheet 5 of 12
Date: 15.10.2013	Web: www.keil.com



A

A

B

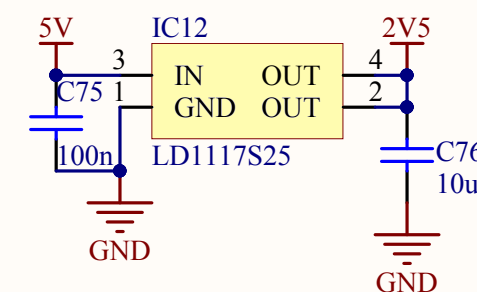
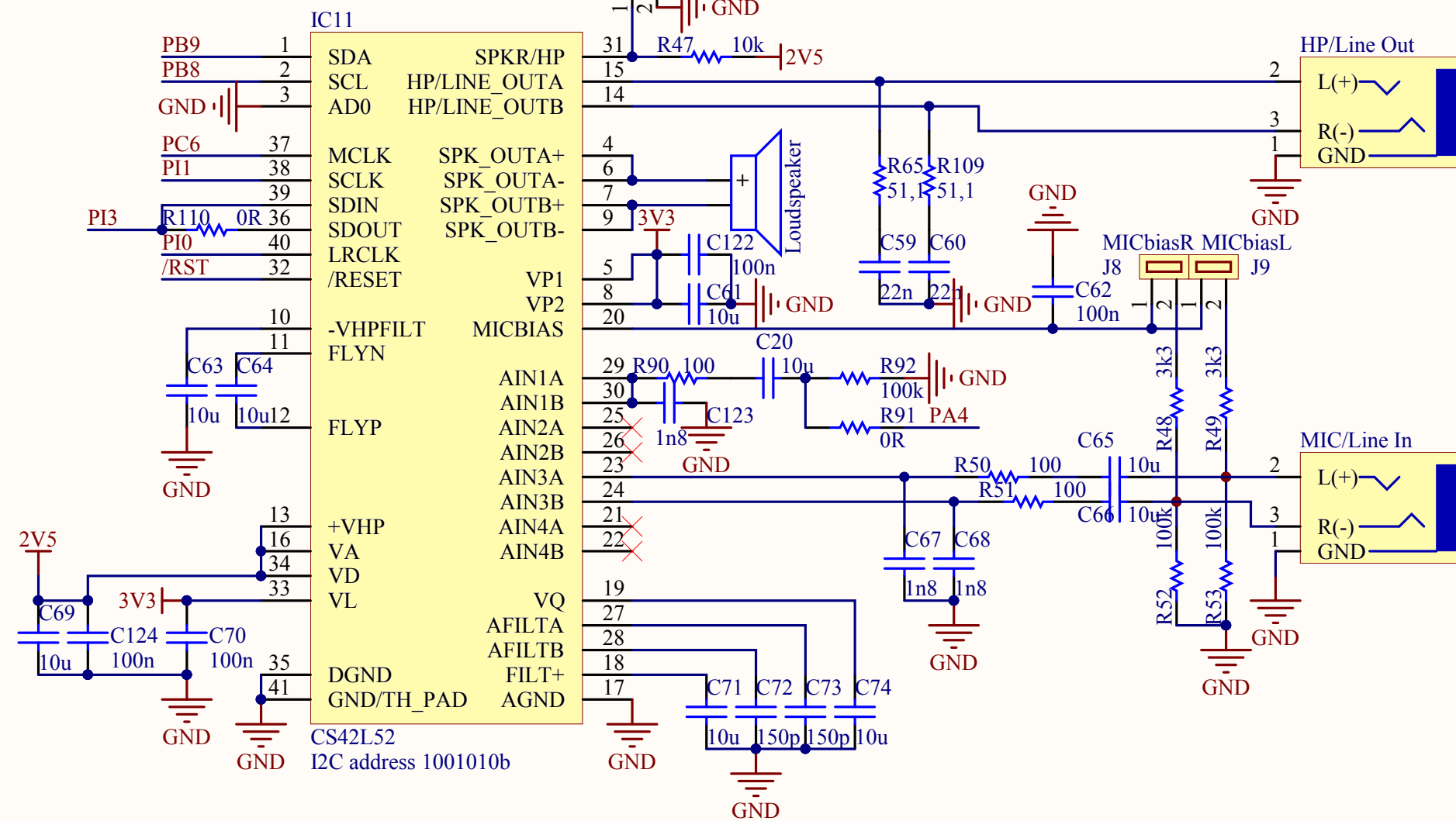
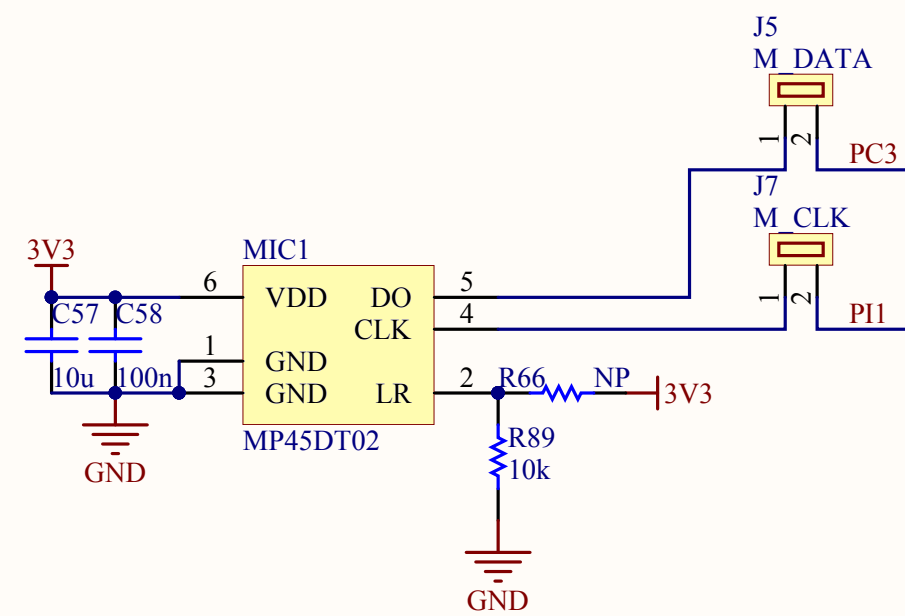
B

C

C

D

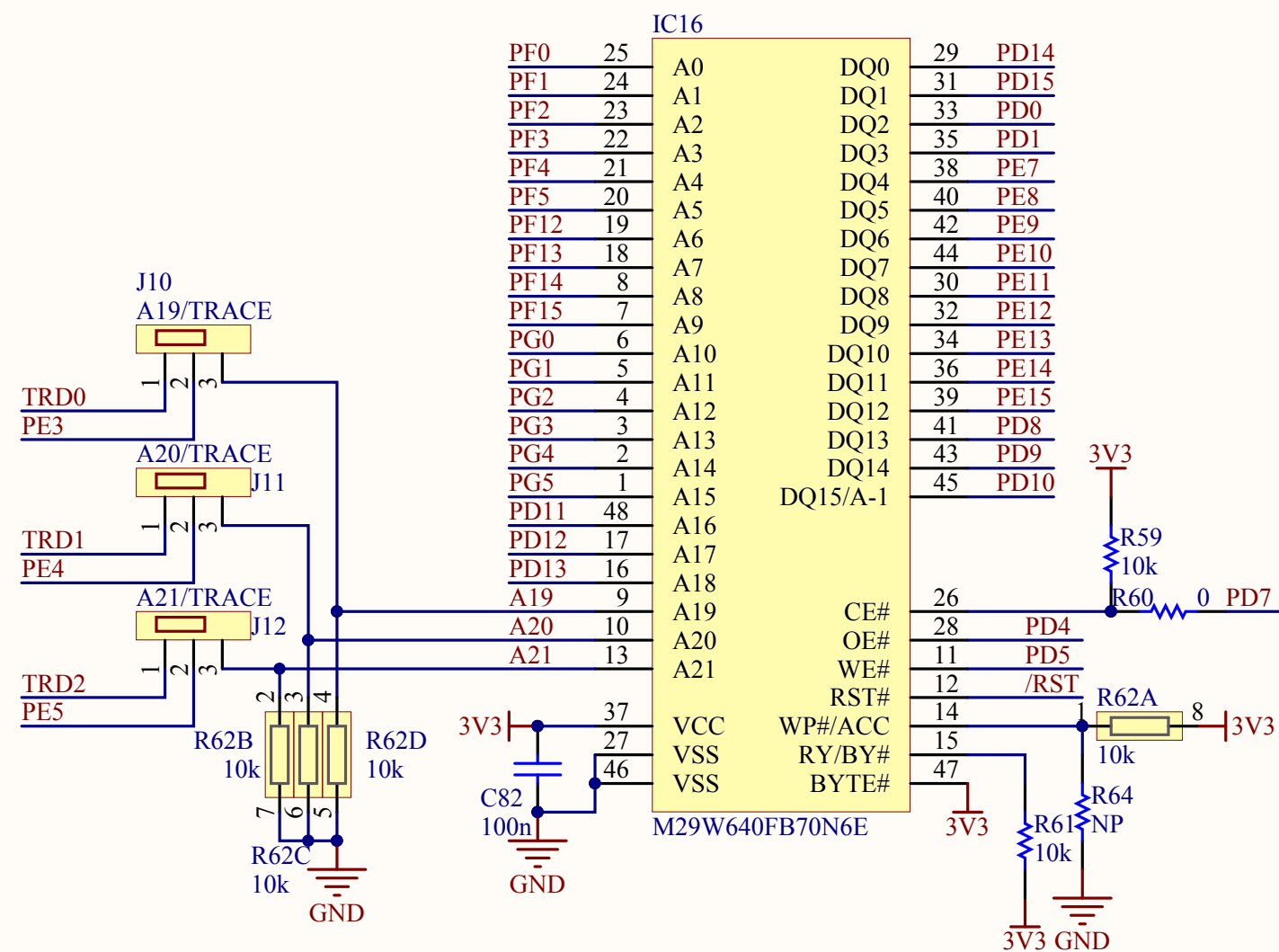
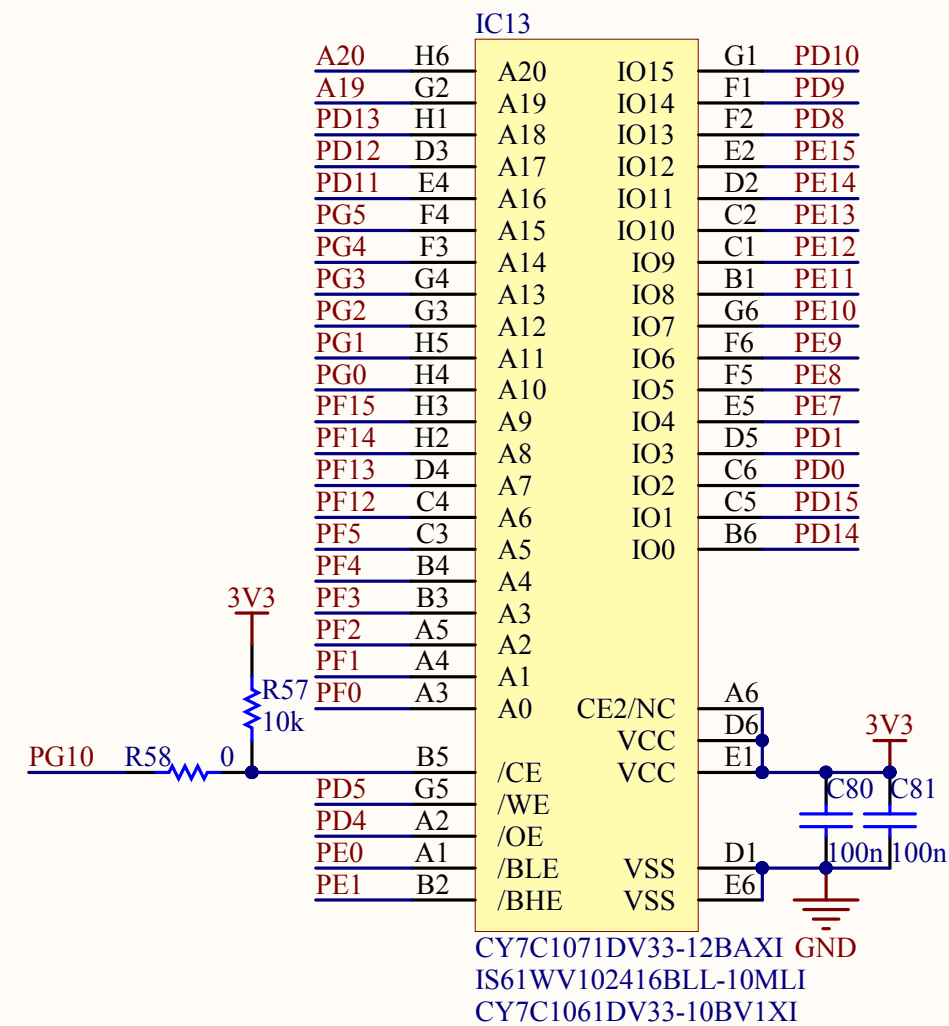
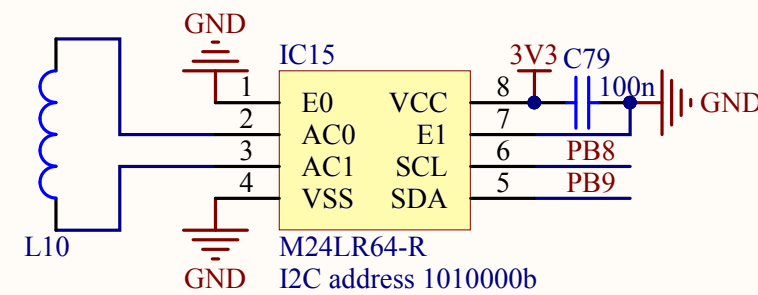
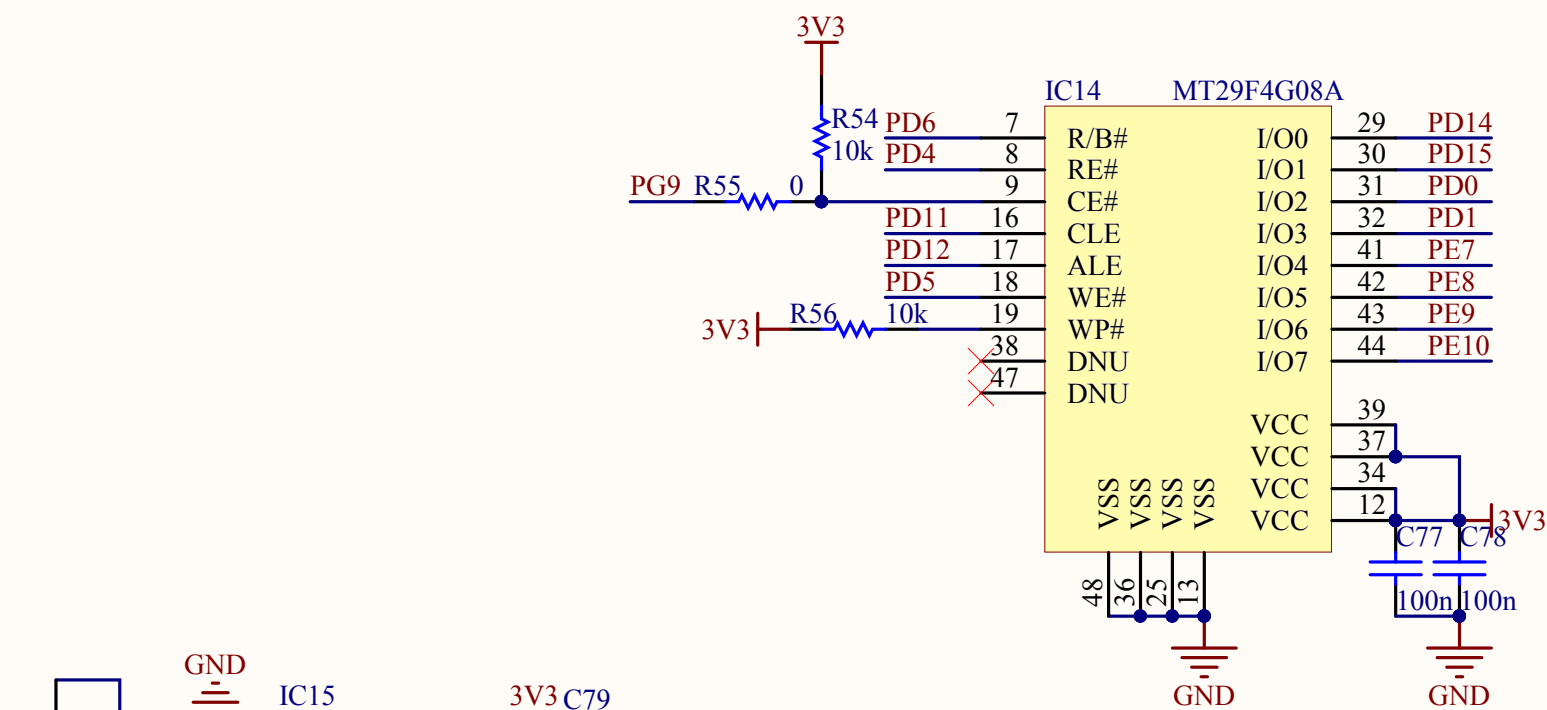
D



MCBSTM32F200/F400

Audio.SchDoc	Revision: 1.2
Size: A4	Sheet 6 of 12
Date: 15.10.2013	Web: www.keil.com



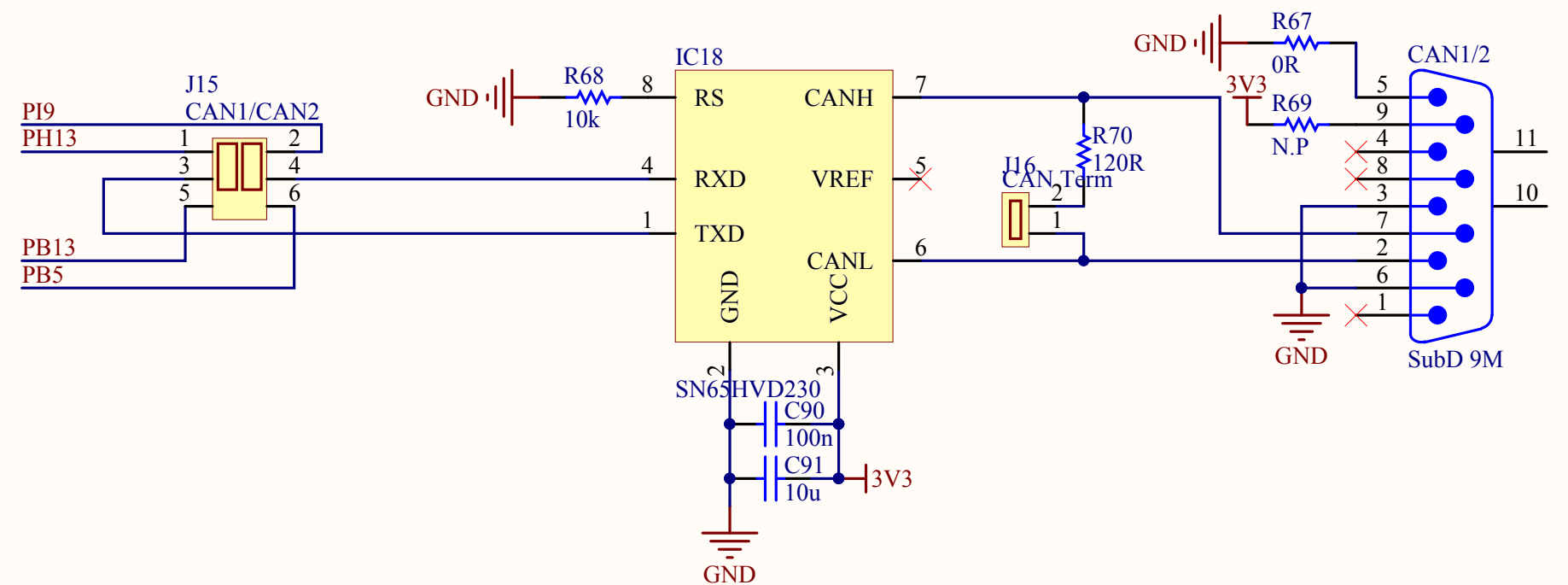
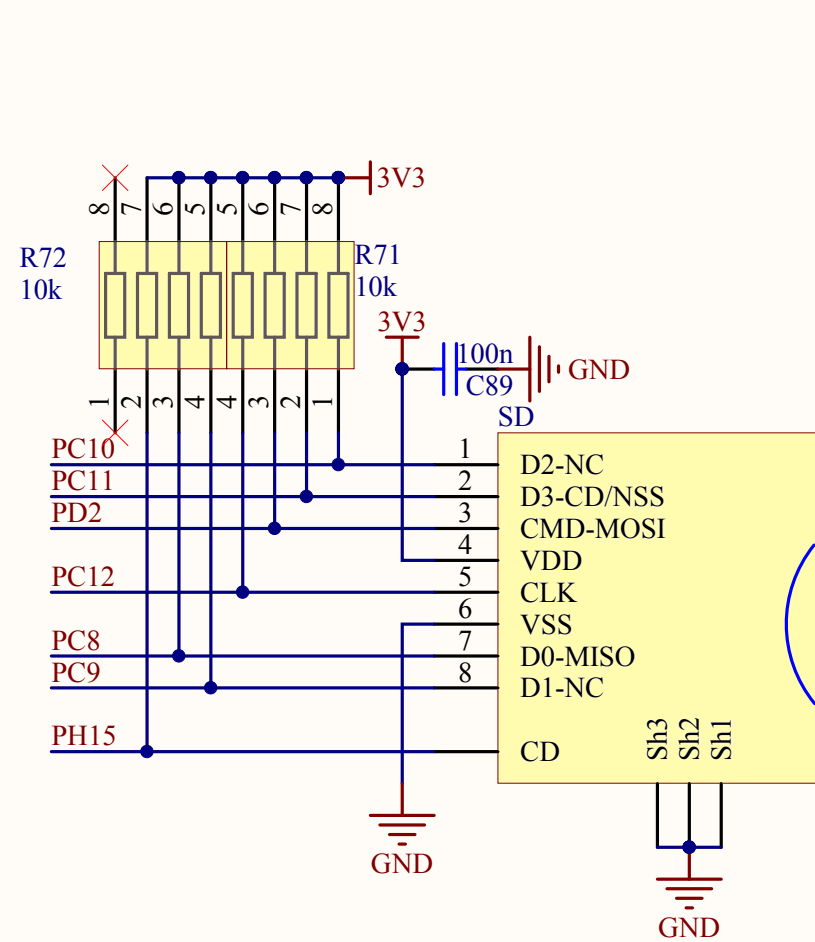
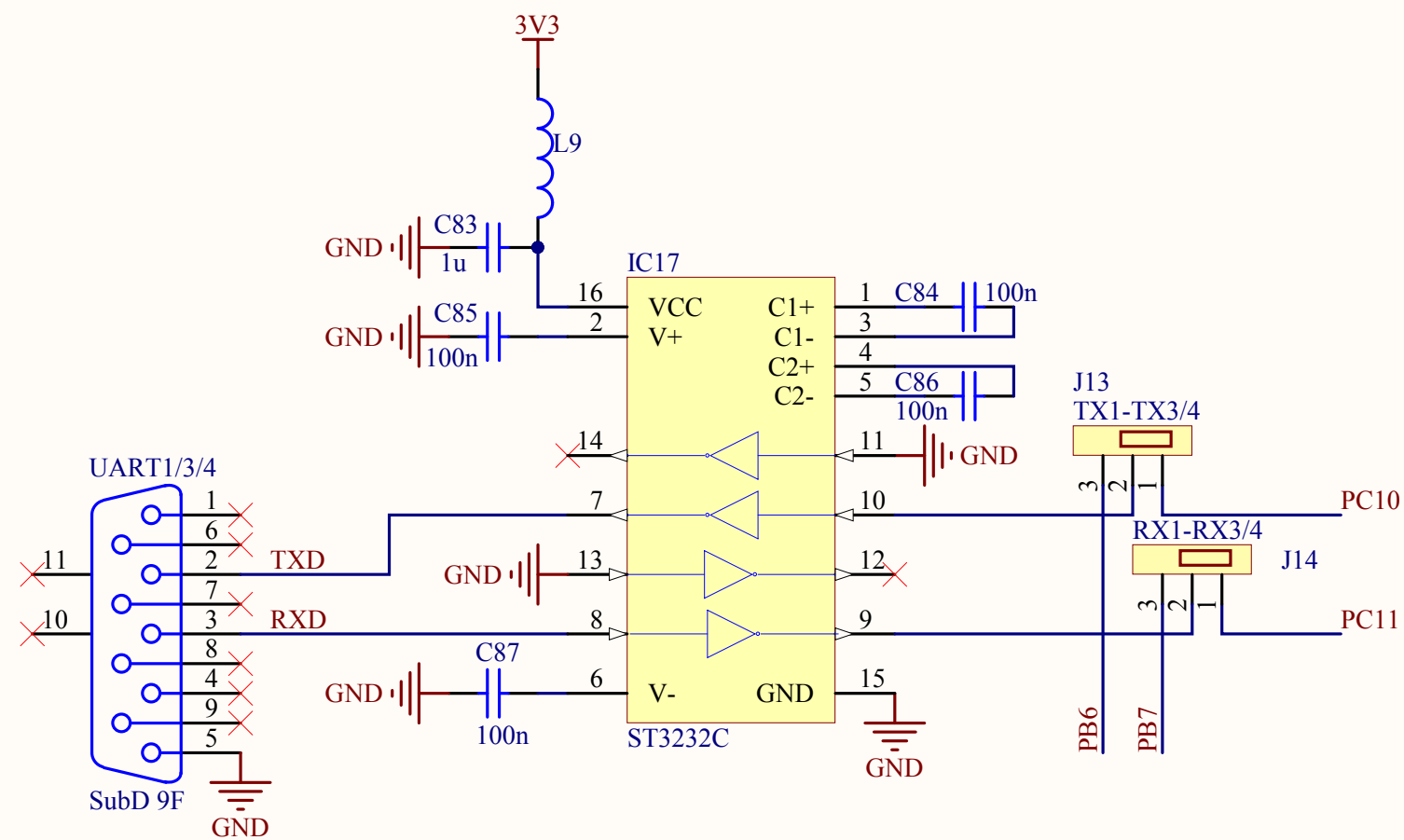


MCBSTM32F200/F400

Memory.SchDoc
 Size: A4
 Date: 15.10.2013

Revision: 1.2
 Sheet 7 of 12
 Web: www.keil.com

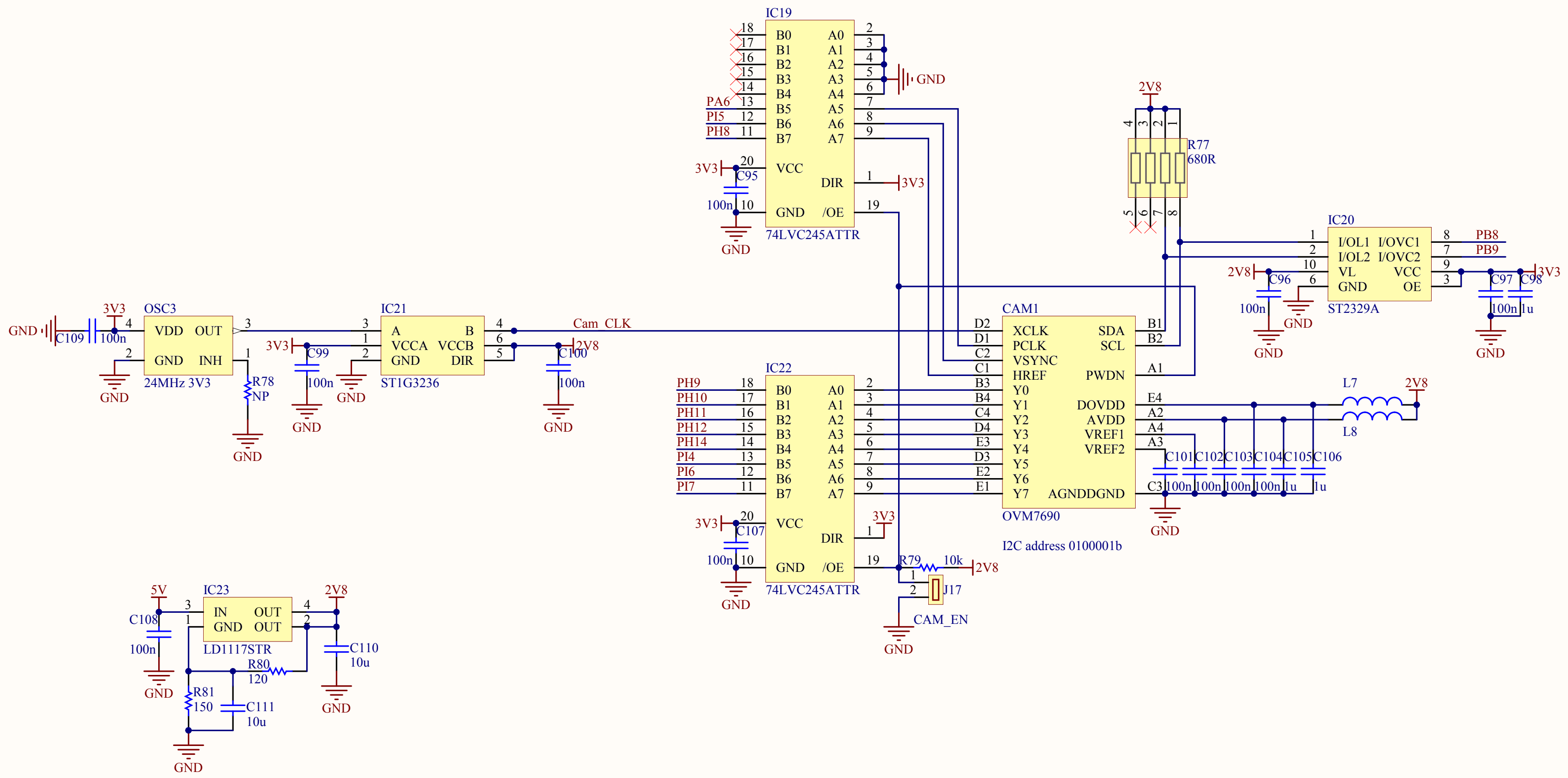




MCBSTM32F200/F400

SD - CAN - RS232.SchDoc	Revision: 1.2
Size: A4	Sheet 8 of 12
Date: 15.10.2013	Web: www.keil.com

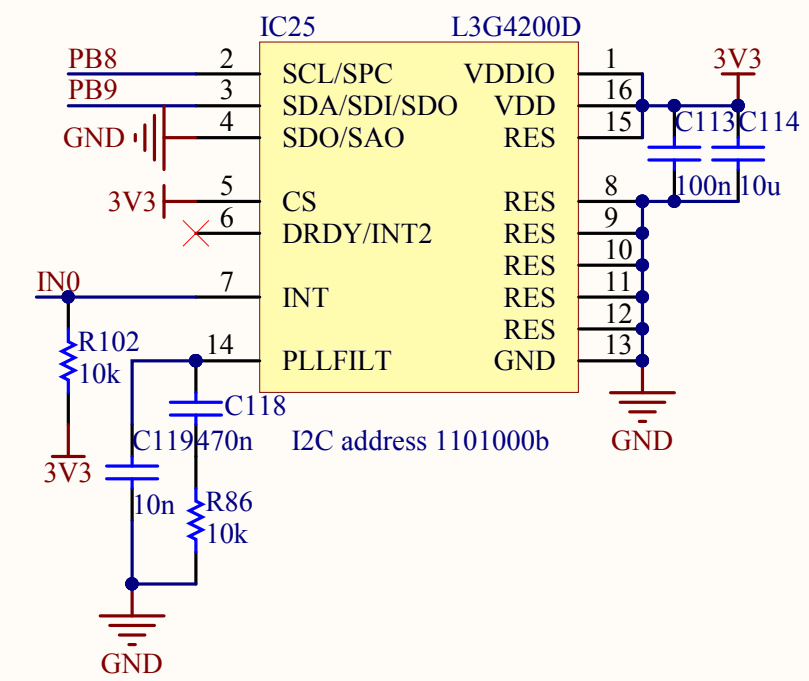
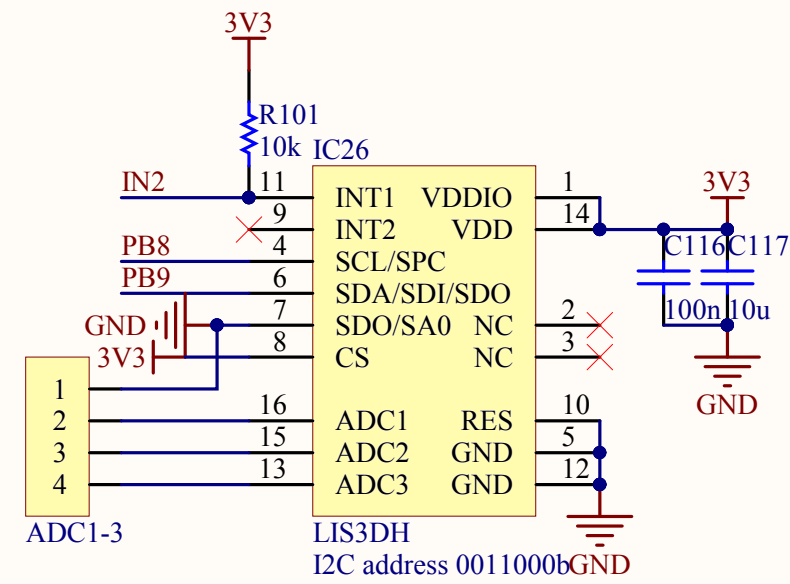
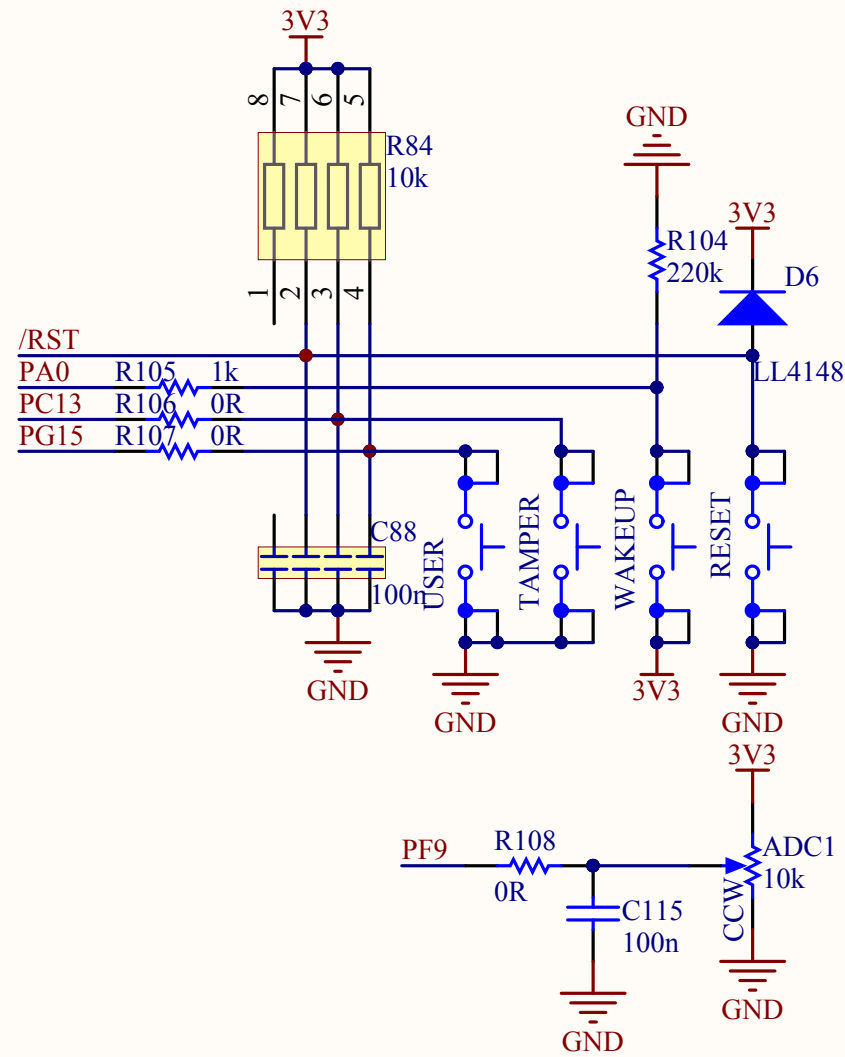
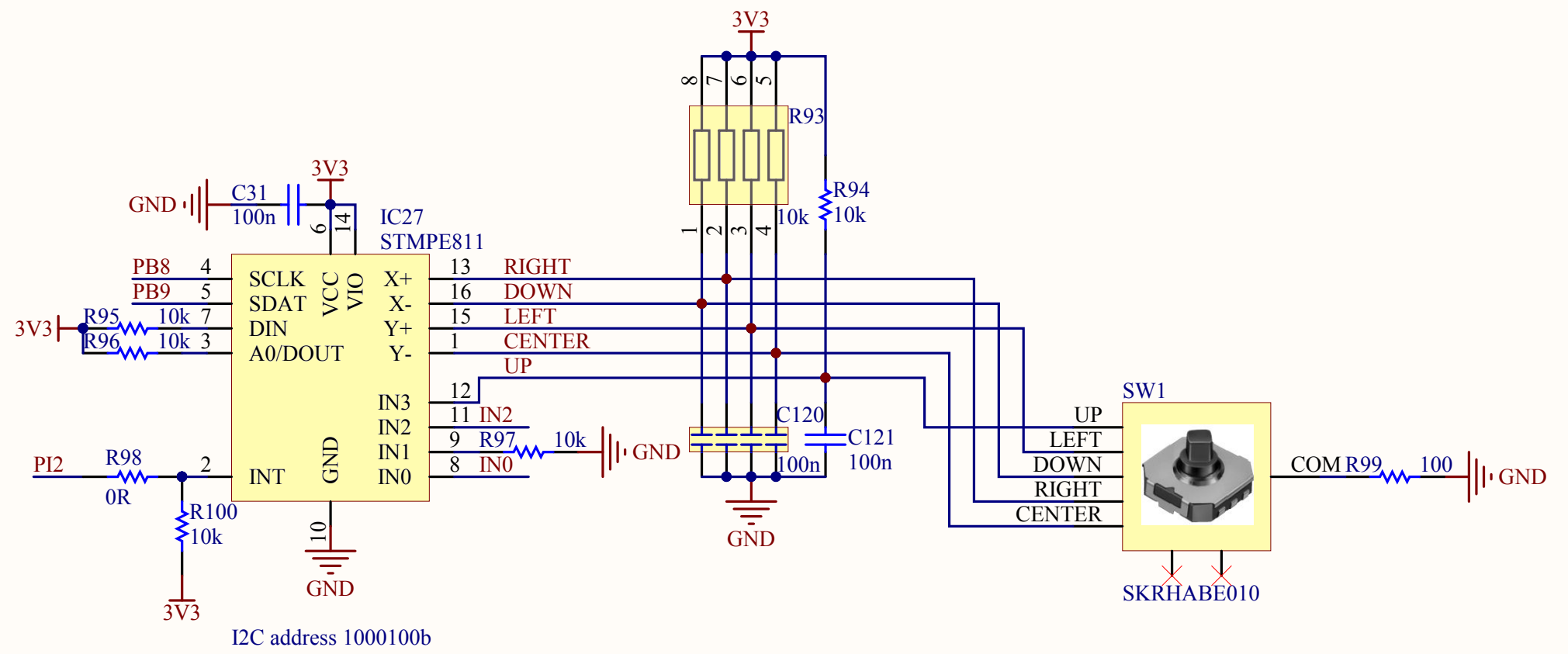
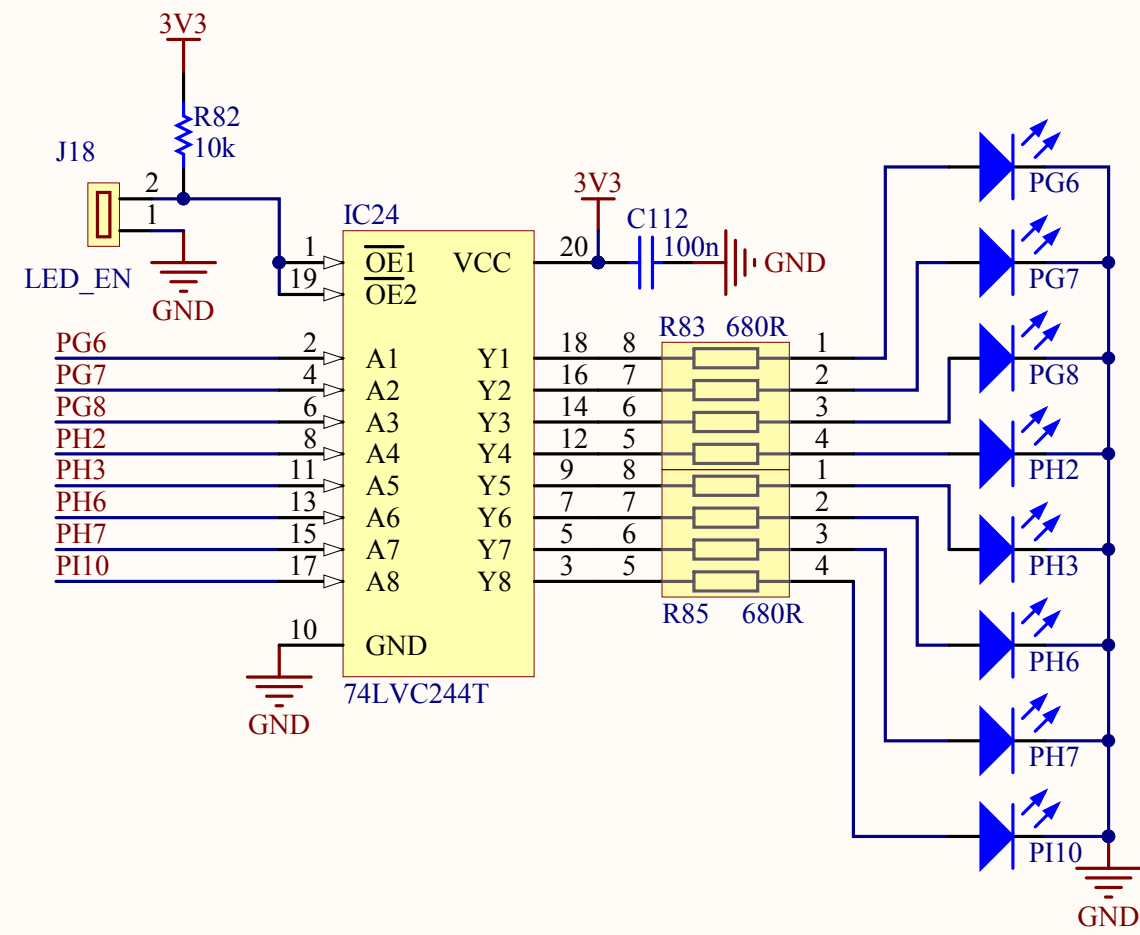




MCBSTM32F200/F400

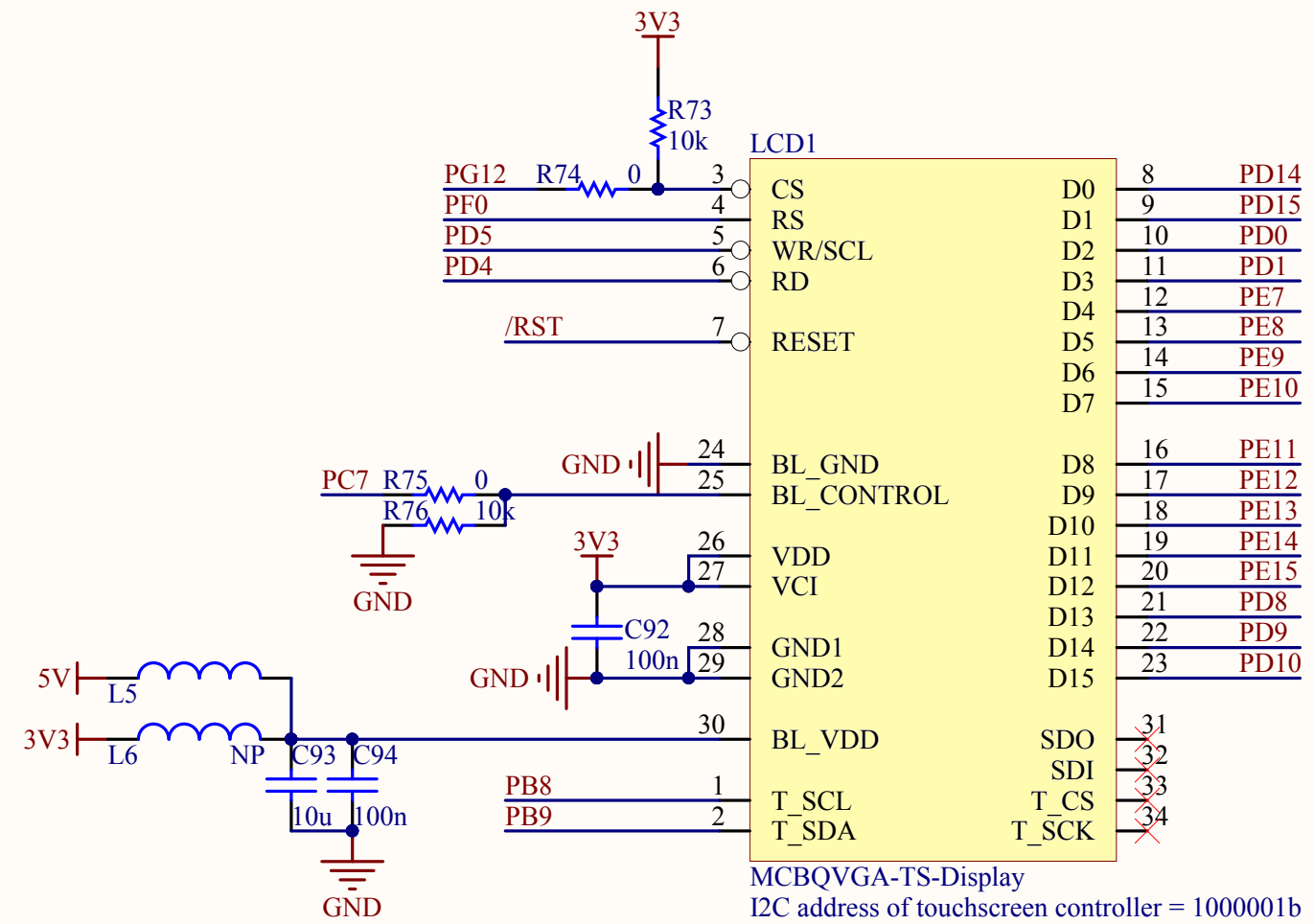
Camera.SchDoc	Revision: 1.2
Size: A4	Sheet 9 of 12
Date: 15.10.2013	Web: www.keil.com





MCBSTM32F200/F400

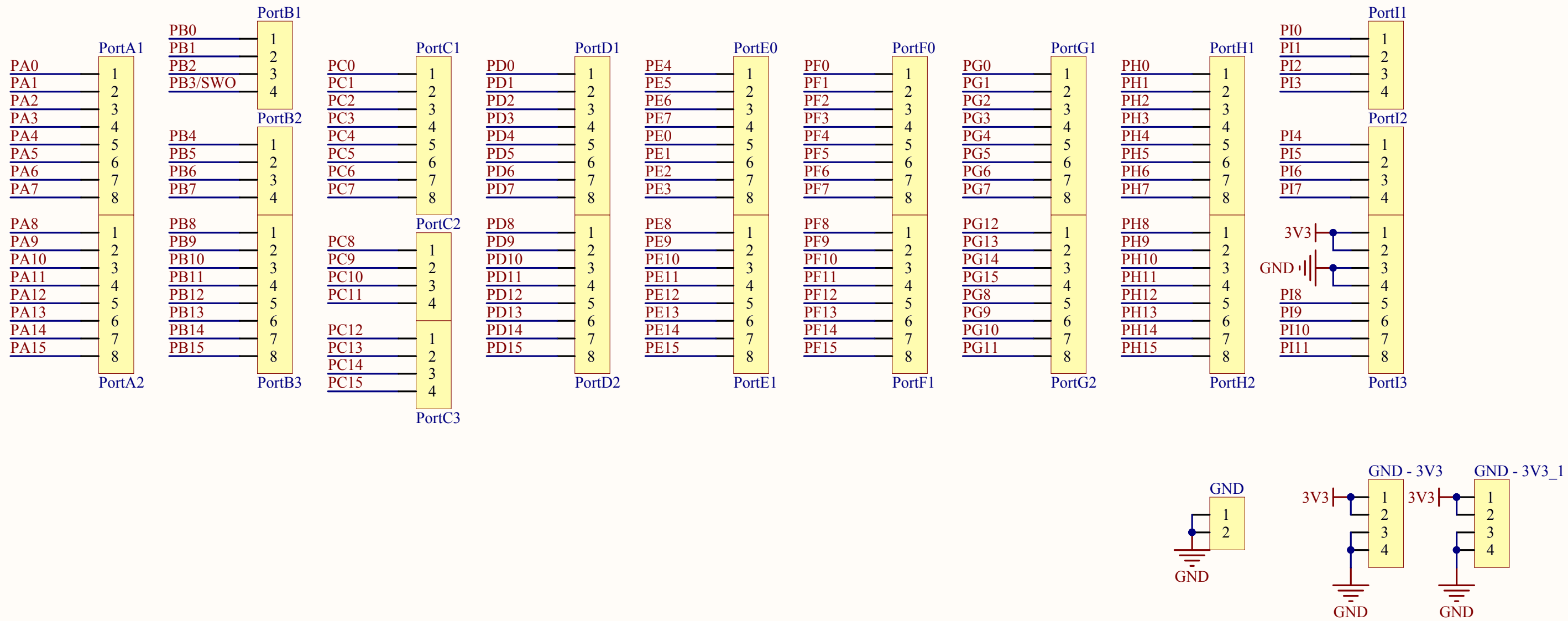




MCBSTM32F200/F400

LCD.SchDoc	Revision: 1.2
Size: A4	Sheet 11 of 12
Date: 15.10.2013	Web: www.keil.com





MCBSTM32F200/F400

Headers.SchDoc	Revision: 1.2
Size: A4	Sheet 12 of 12
Date: 15.10.2013	Web: www.keil.com

