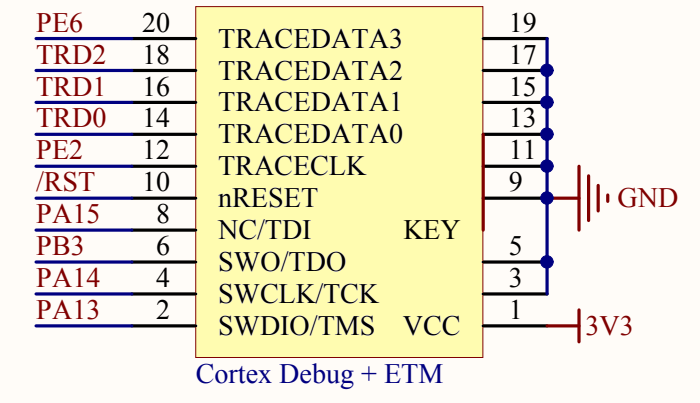
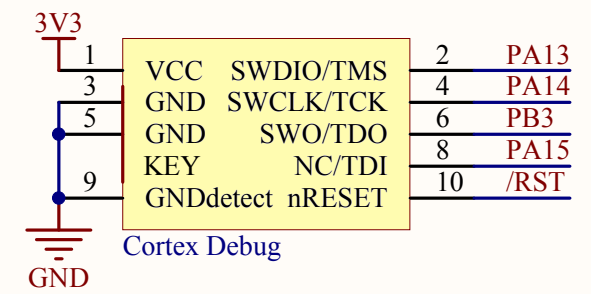
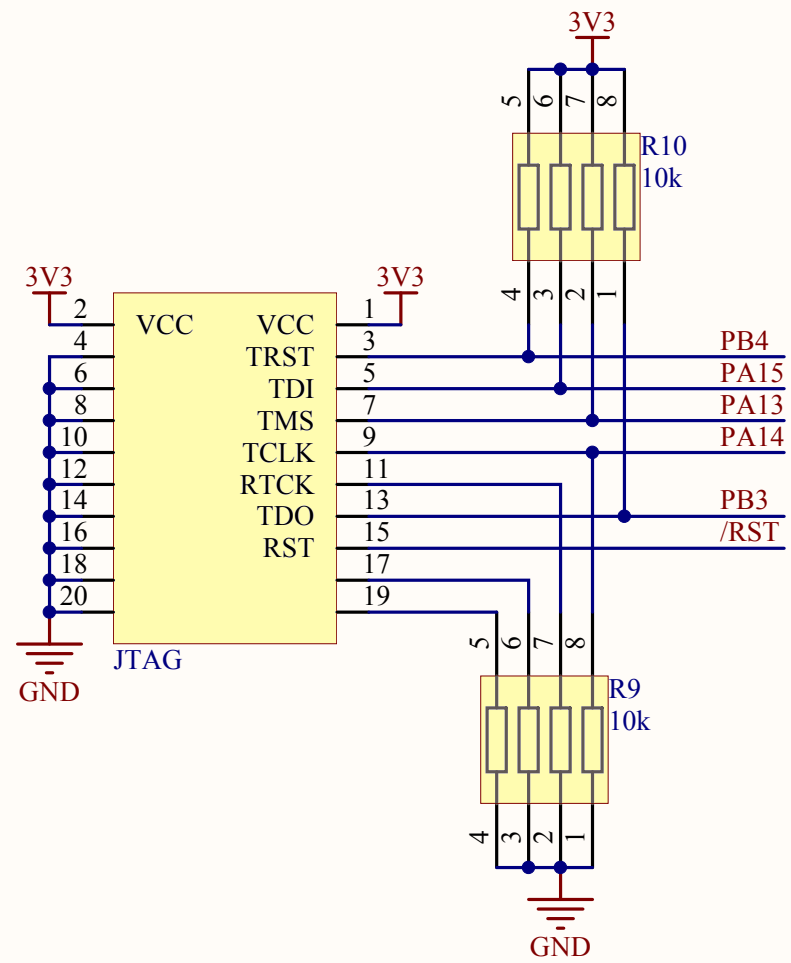


<b>MCBSTM32F200/F400</b>		
Power.SchDoc	Revision: 1.1	
Size: A4	Sheet 1 of 12	
Date: 9/14/2011	Web: www.keil.com	

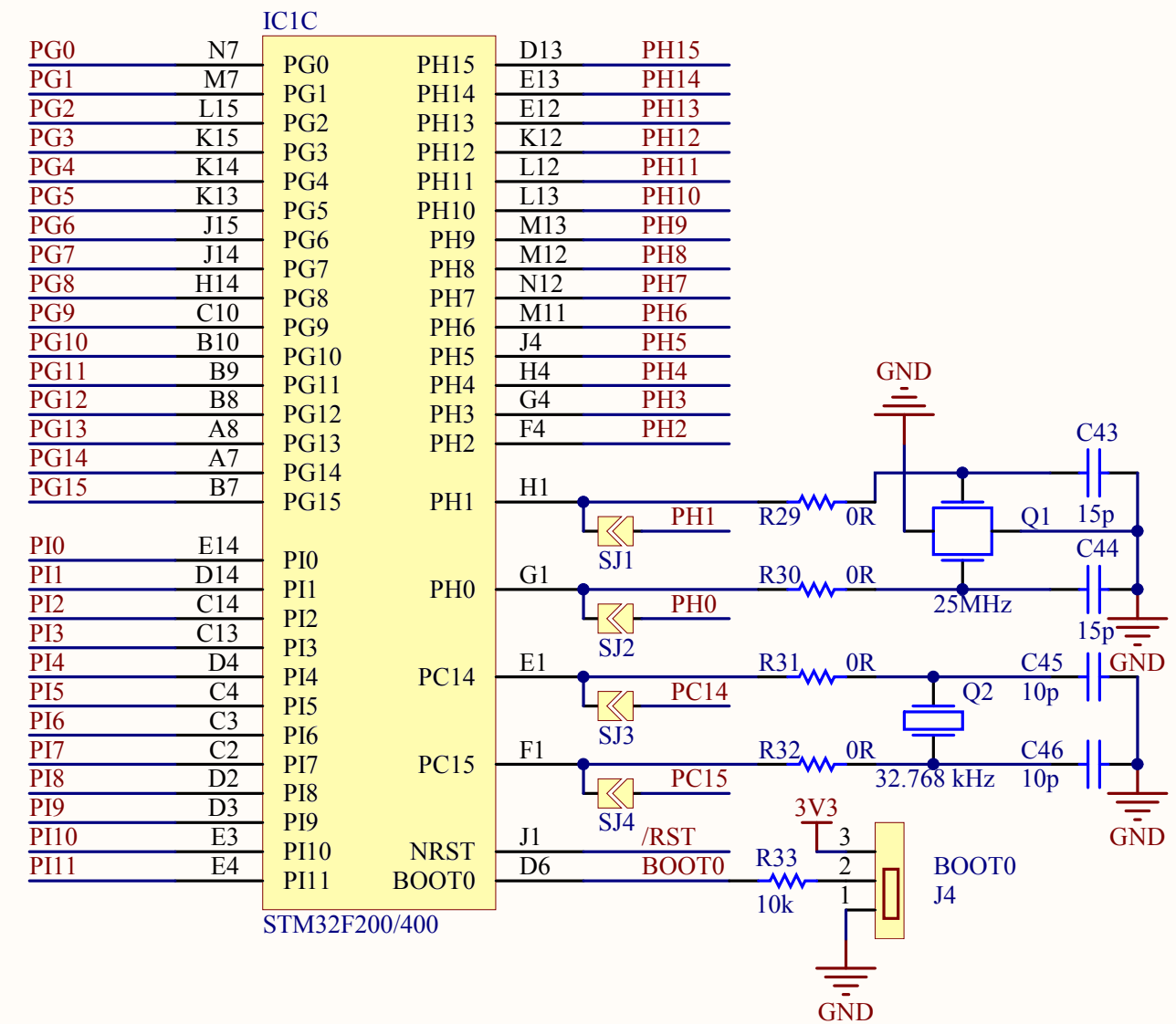
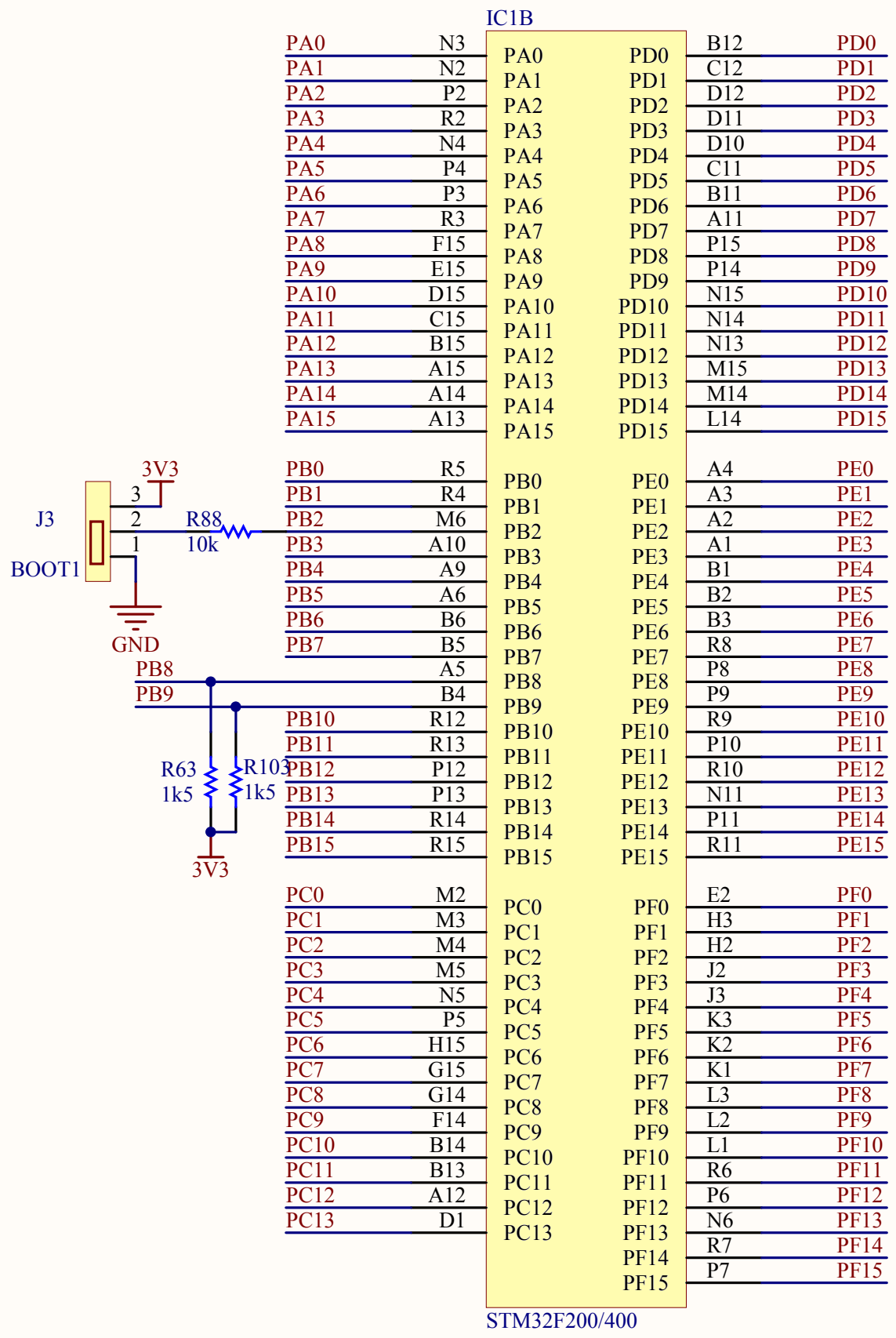


### MCBSTM32F200/F400

Debug.SchDoc  
 Size: A4  
 Date: 9/14/2011

Revision: 1.1  
 Sheet 2 of 12  
 Web: www.keil.com



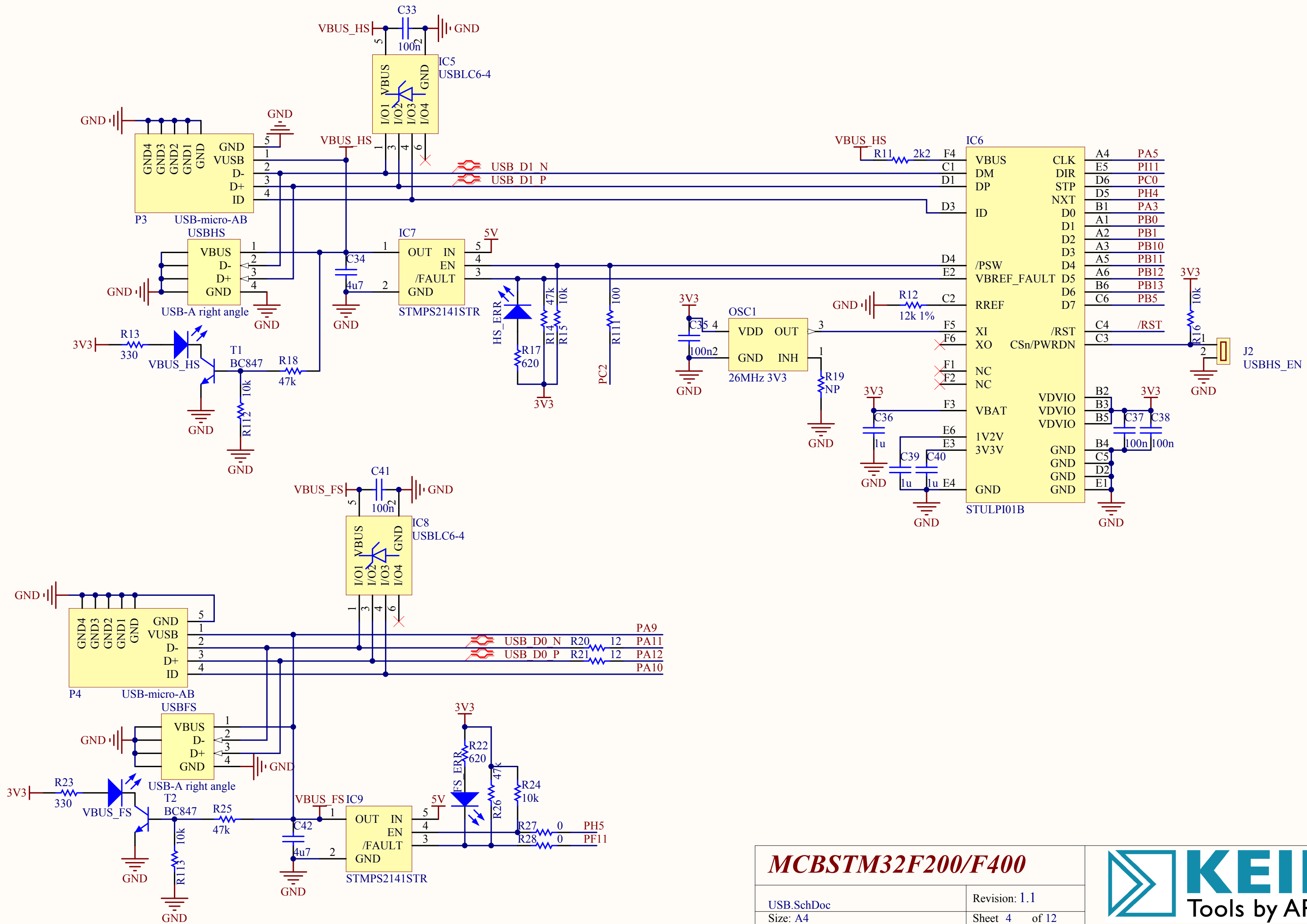


# MCBSTM32F200/F400

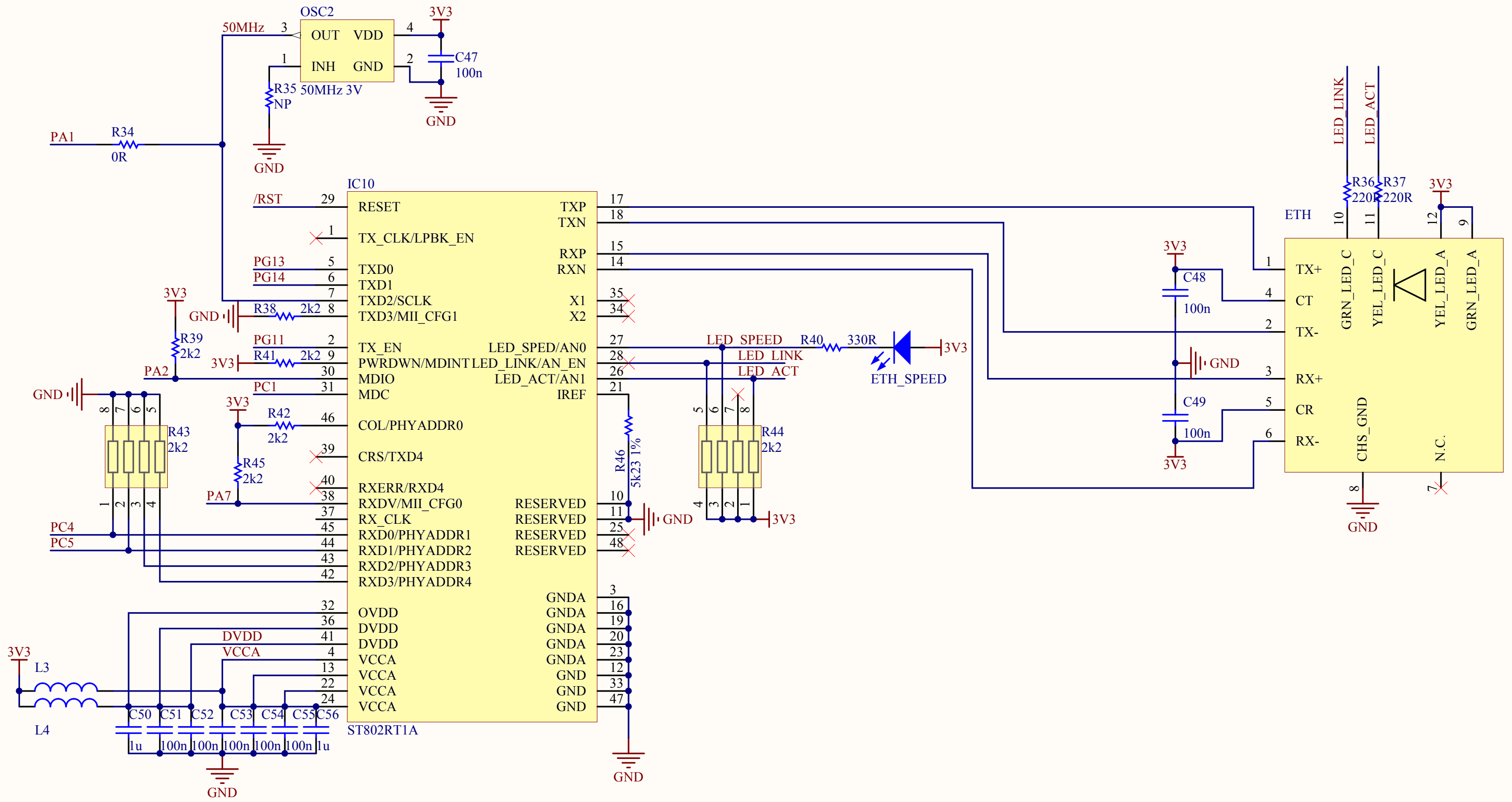
uC.SchDoc  
 Size: A4  
 Date: 9/14/2011

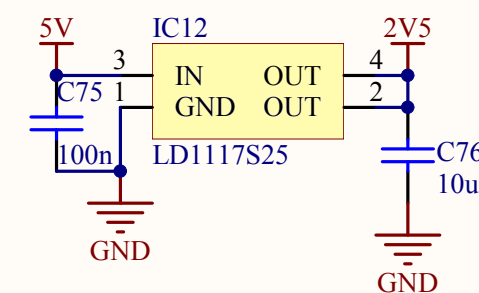
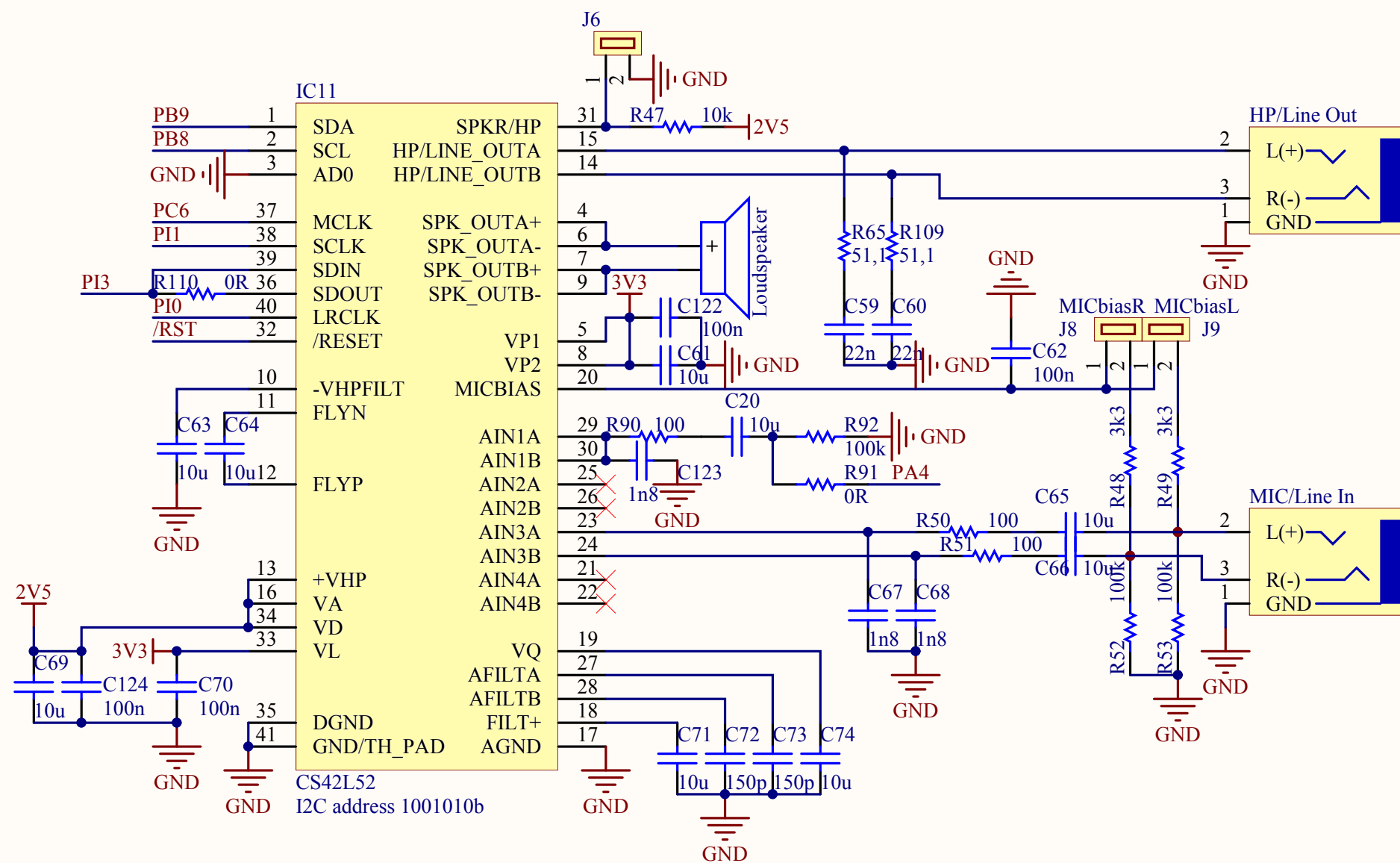
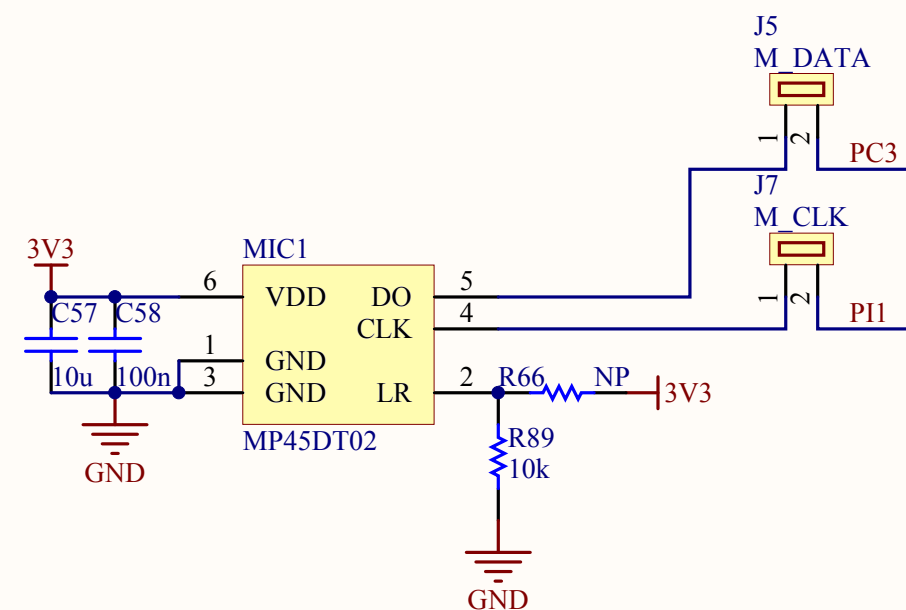
Revision: 1.1  
 Sheet 3 of 12  
 Web: www.keil.com

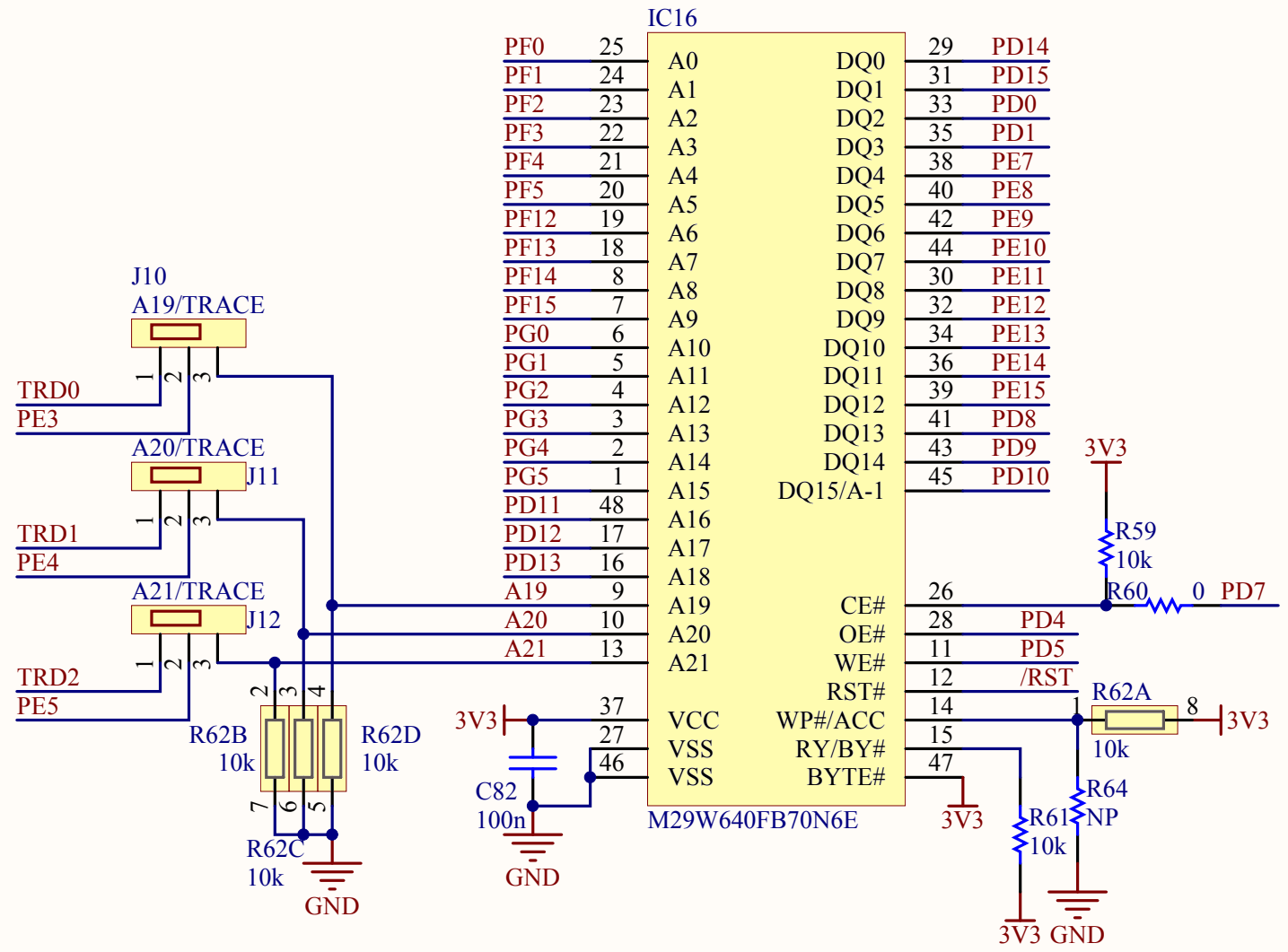
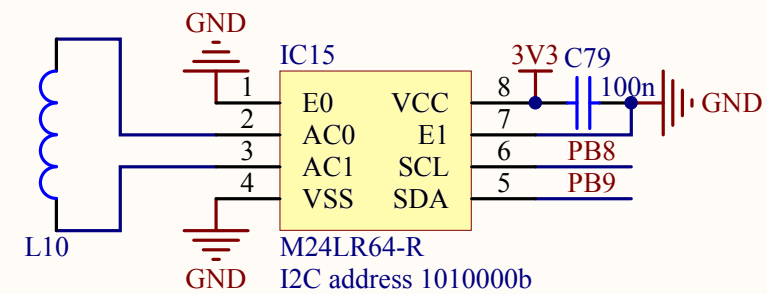
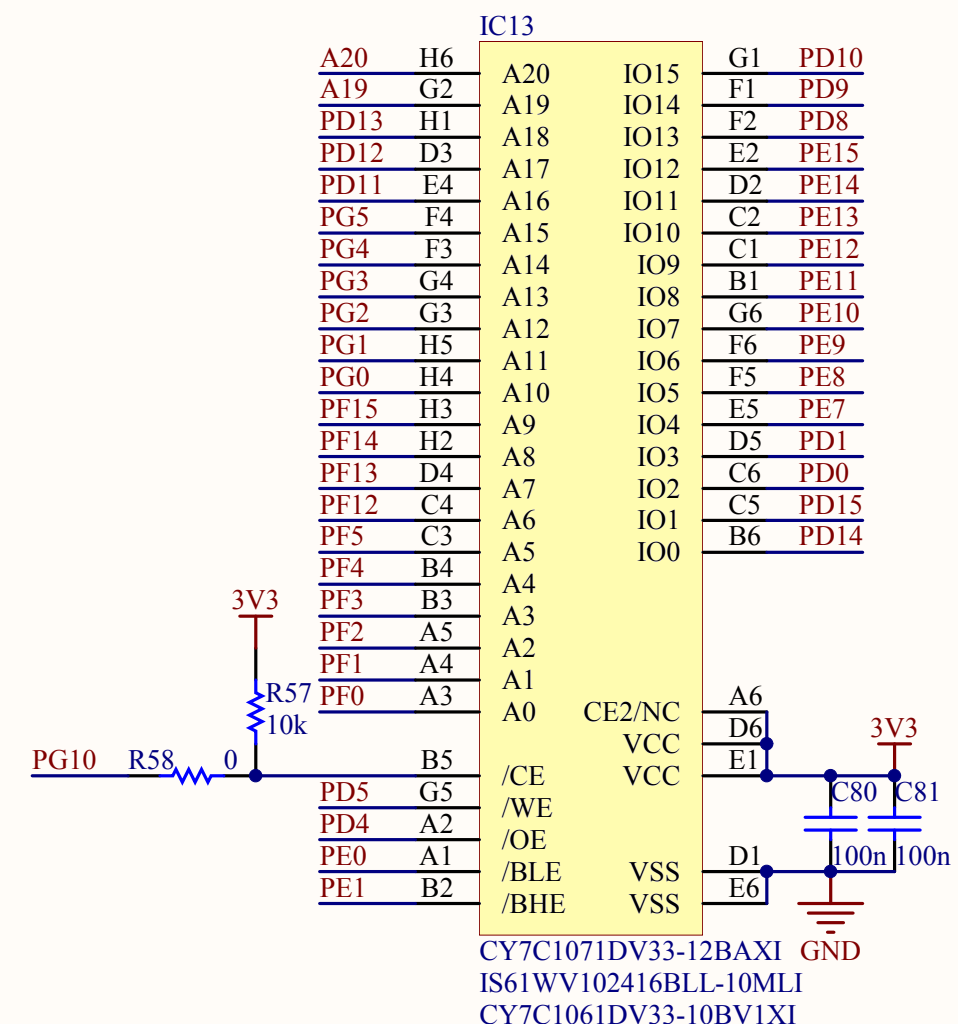
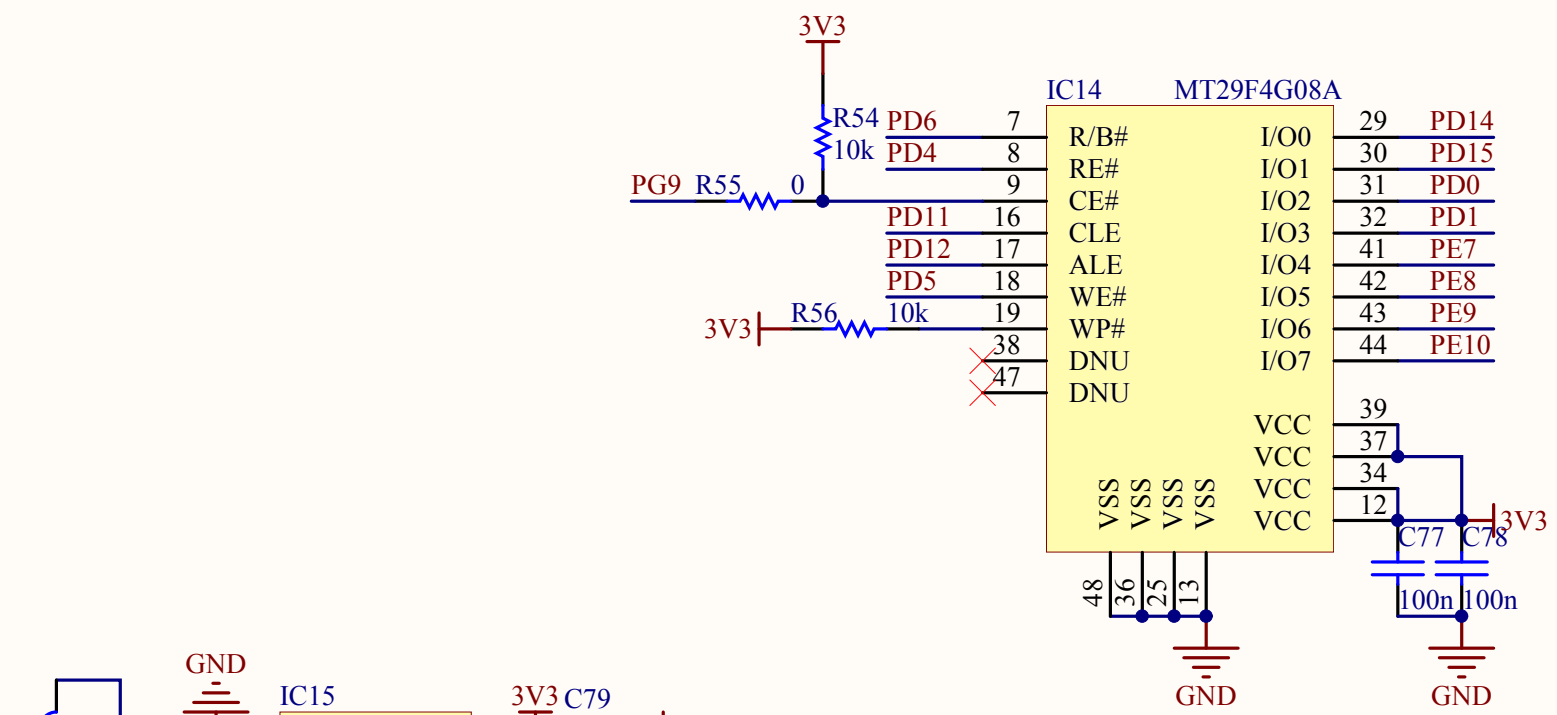




<b>MCBSTM32F200/F400</b>		
USB.SchDoc	Revision: 1.1	
Size: A4	Sheet 4 of 12	
Date: 9/14/2011	Web: www.keil.com	



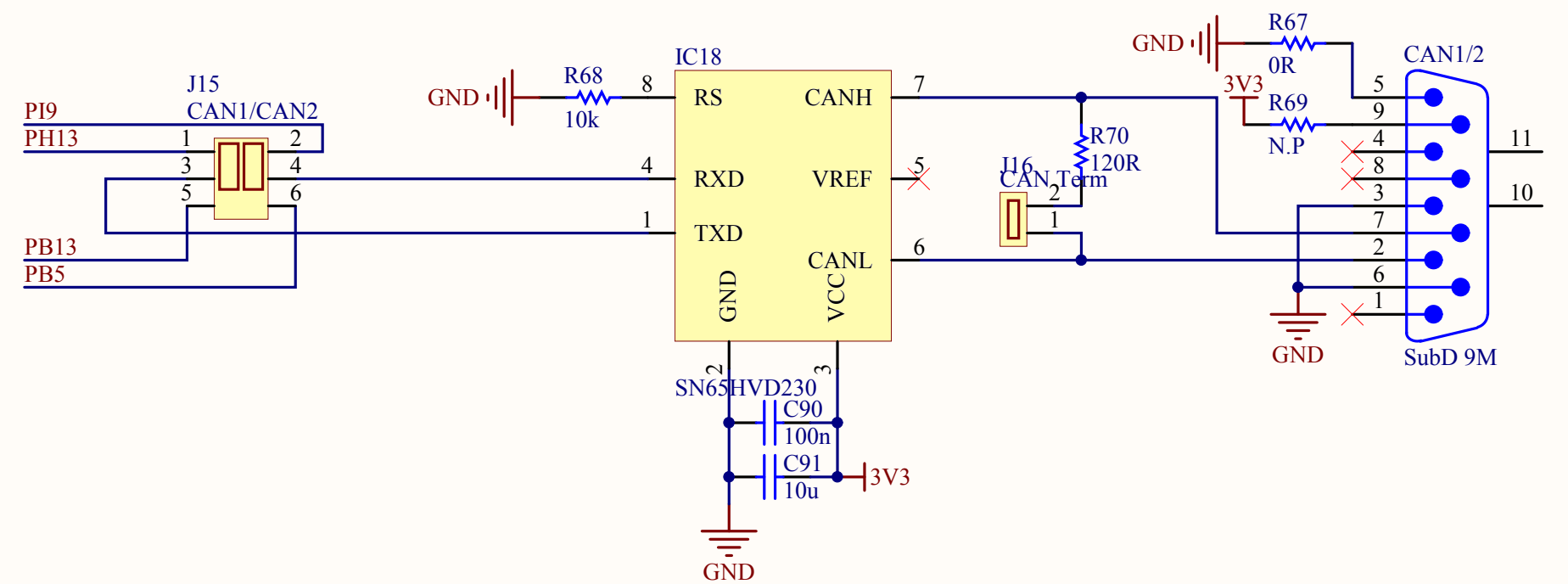
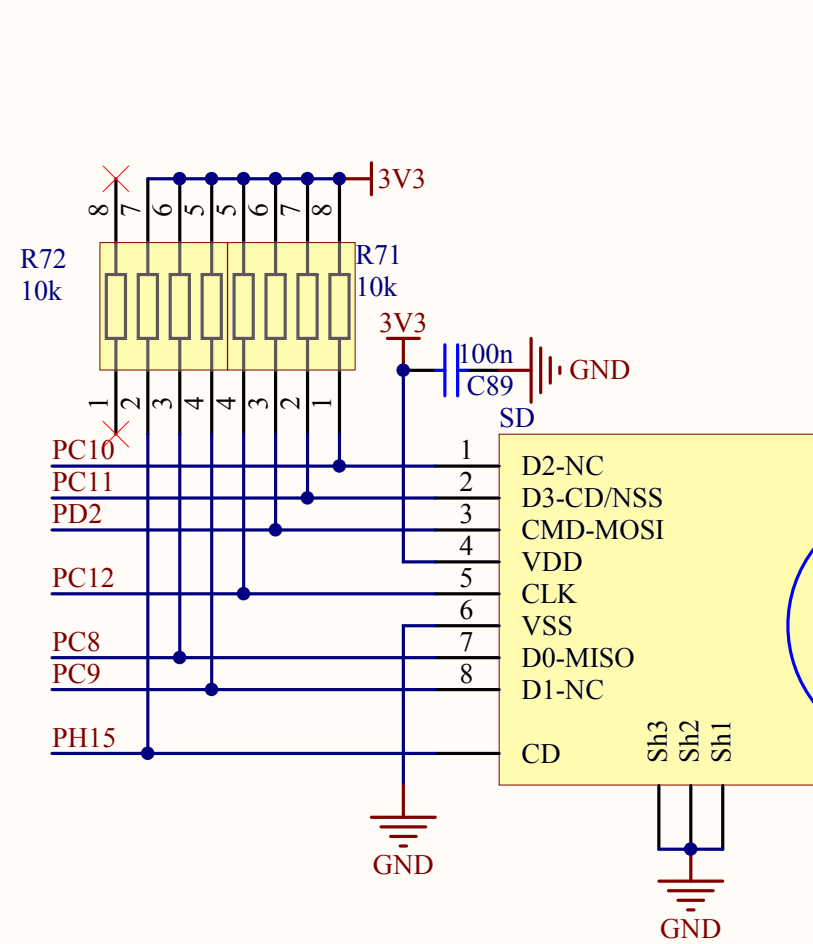
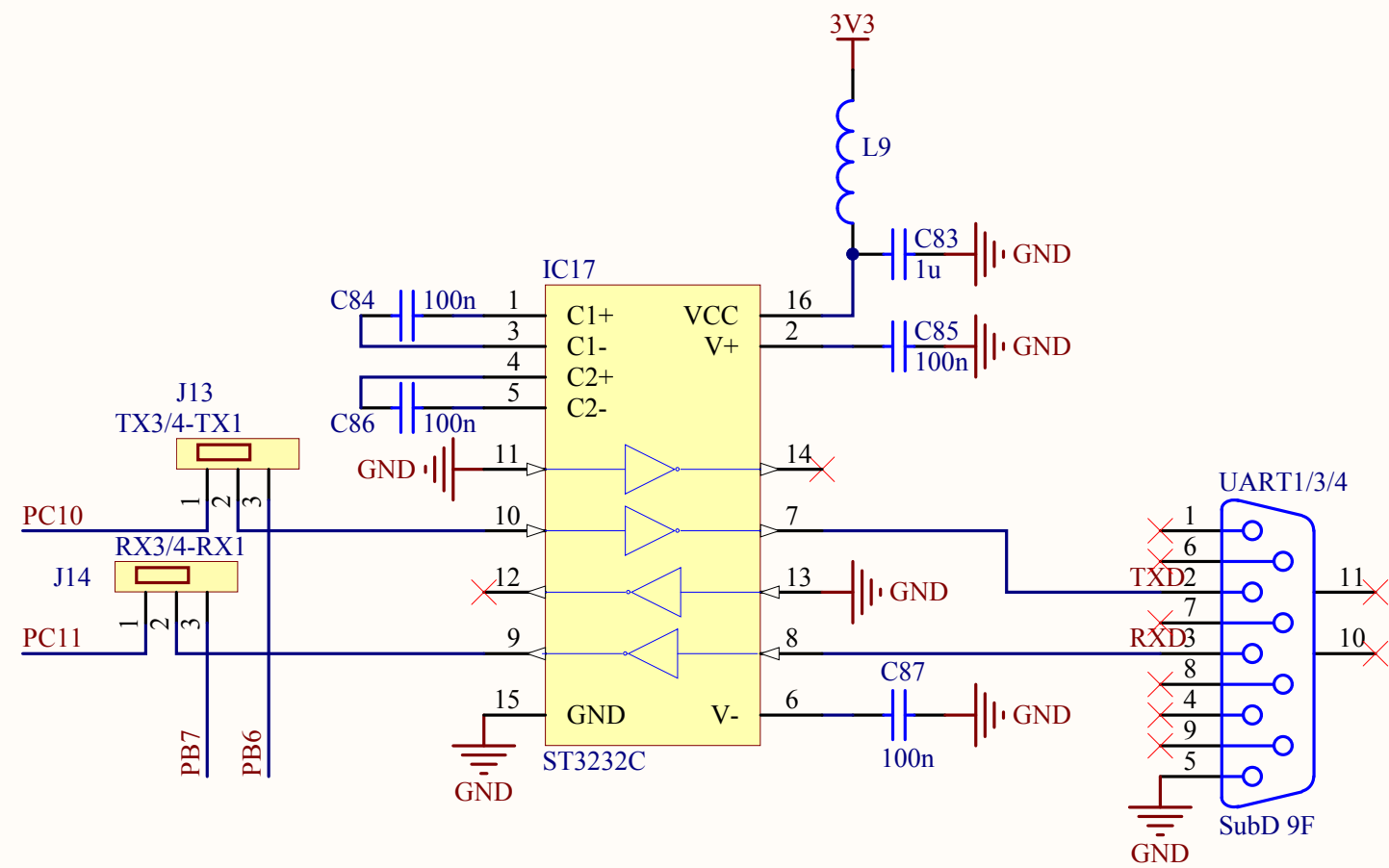




# MCBSTM32F200/F400

Memory.SchDoc	Revision: 1.1
Size: A4	Sheet 7 of 12
Date: 9/14/2011	Web: www.keil.com





**MCBSTM32F200/F400**

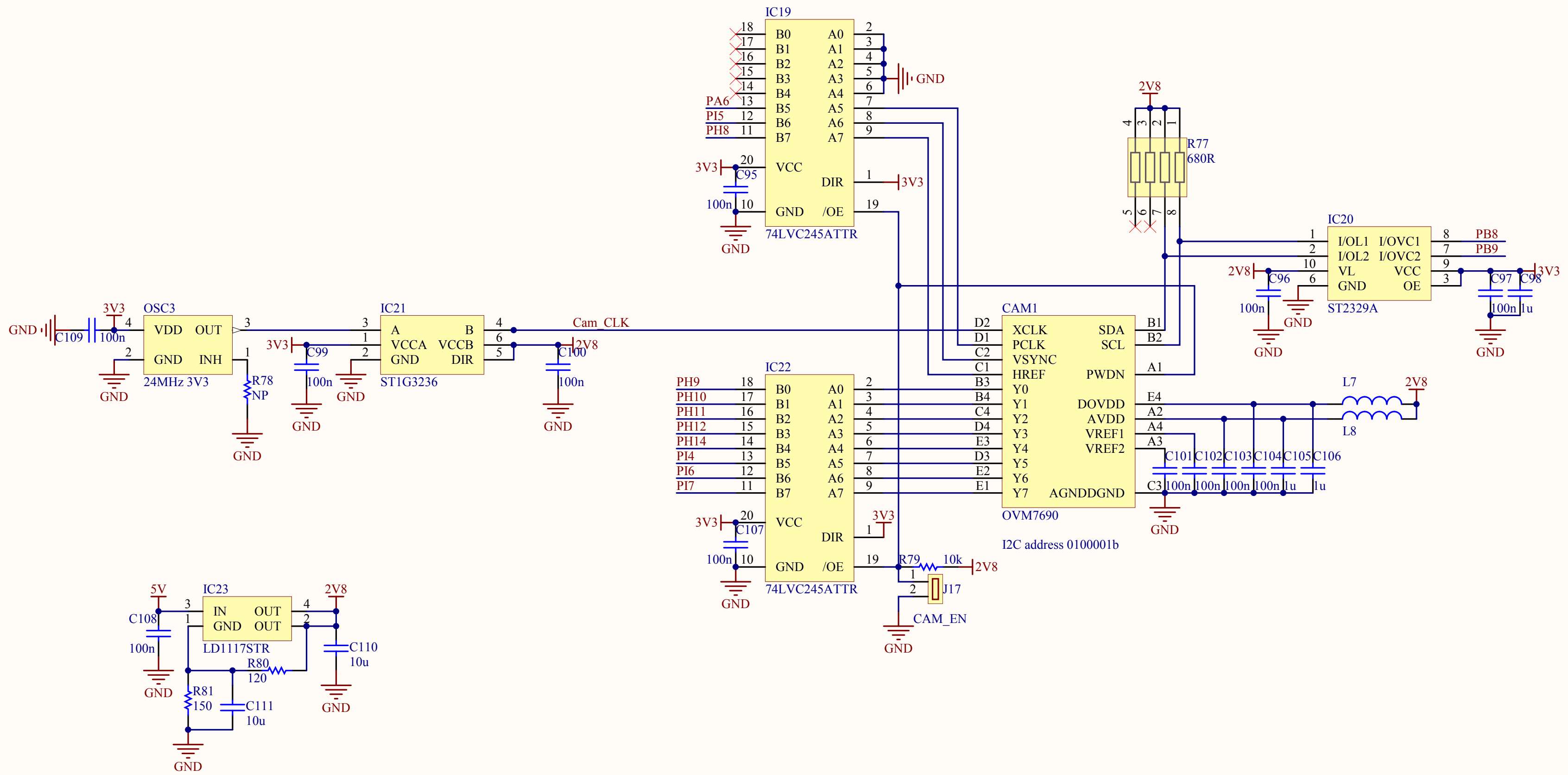
SD - CAN - RS232.SchDoc  
 Size: A4  
 Date: 9/14/2011

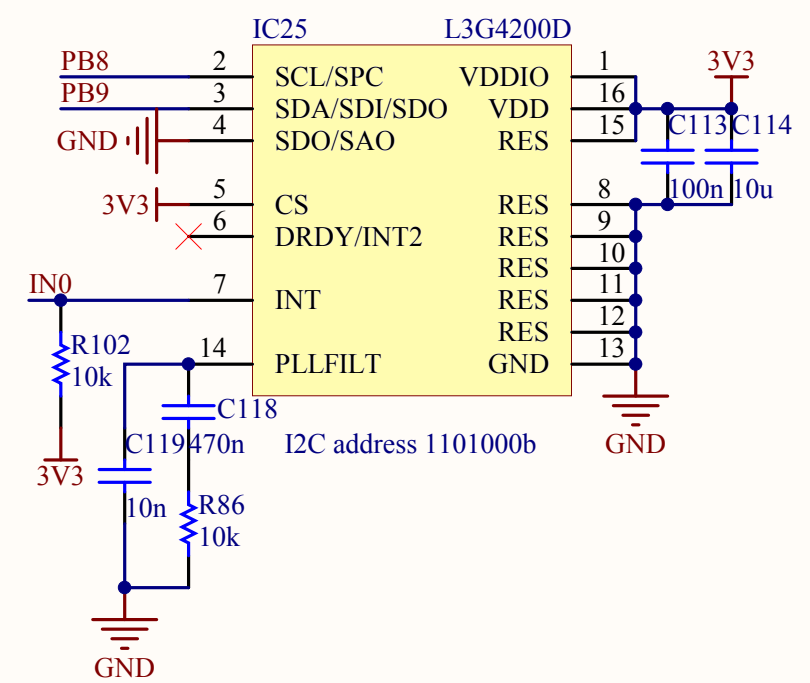
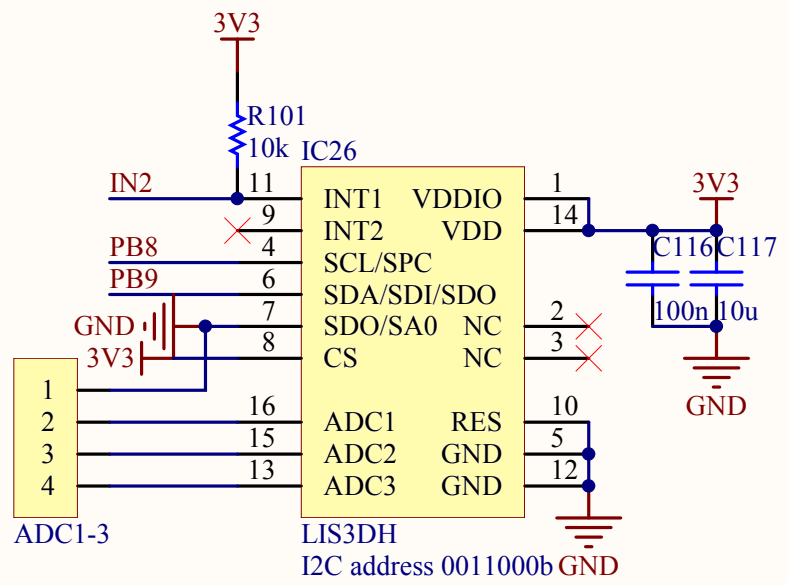
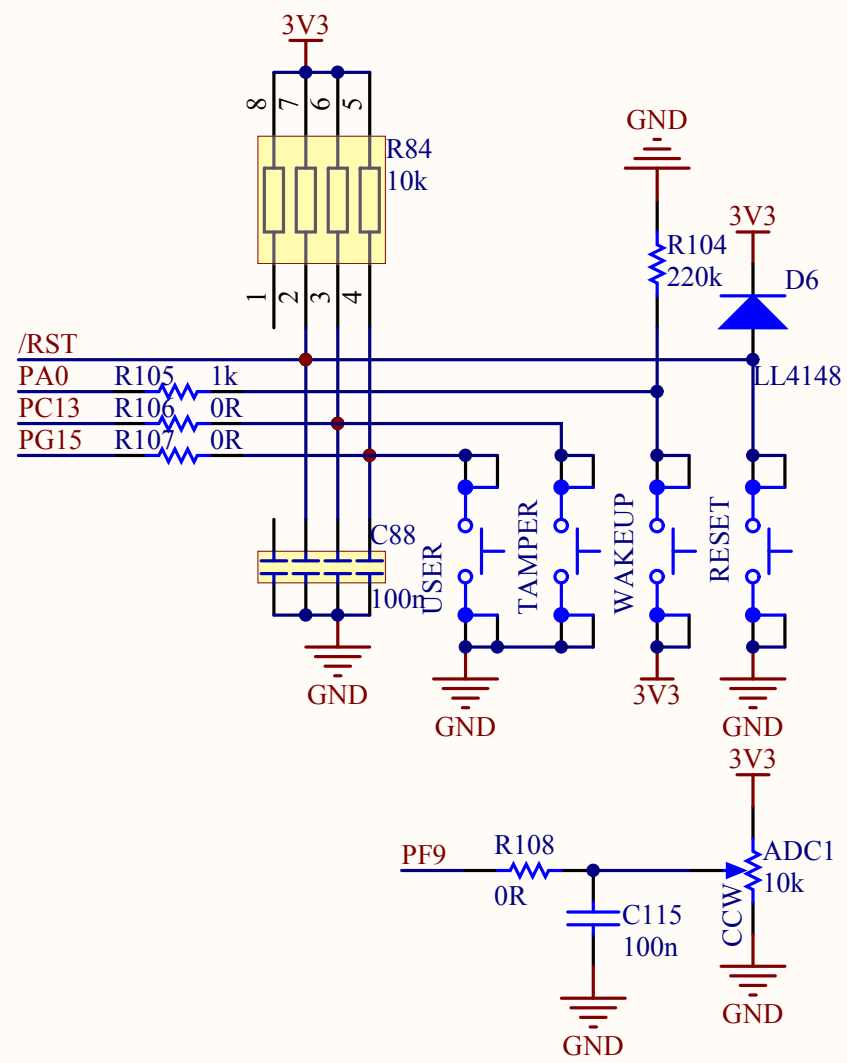
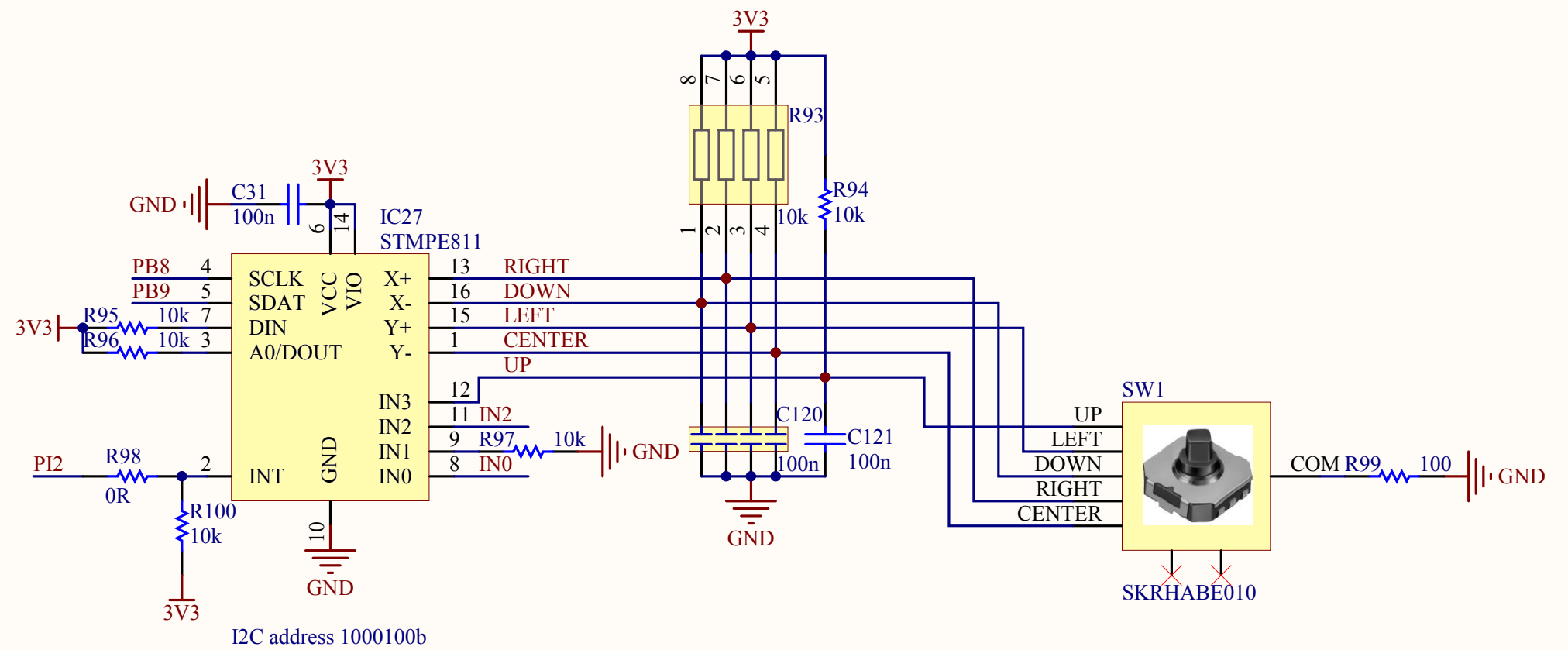
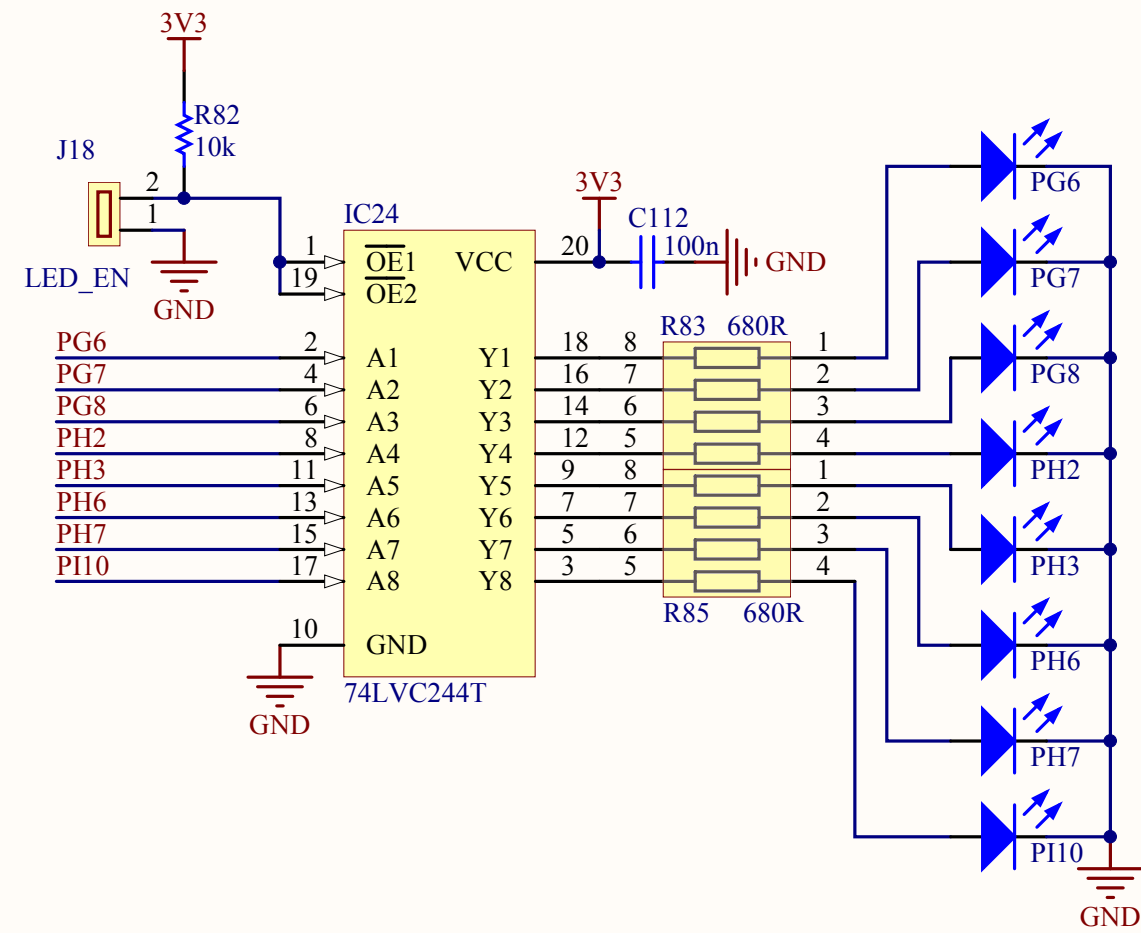
Revision: 1.1

Sheet 8 of 12  
 Web: www.keil.com





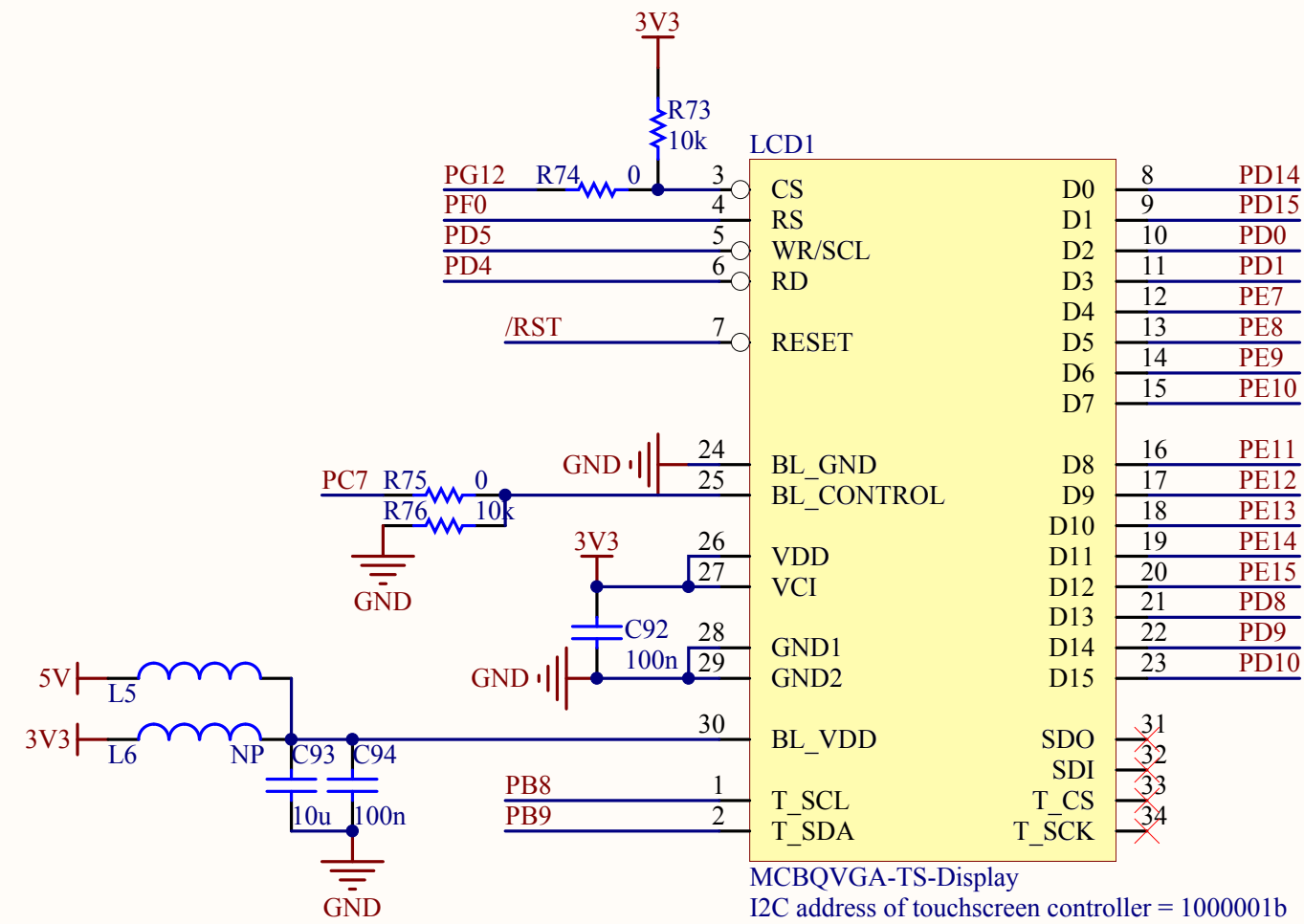




**MCBSTM32F200/F400**

LED - Switch -Sensors.SchDoc	Revision: 1.1
Size: A4	Sheet 10 of 12
Date: 9/14/2011	Web: www.keil.com

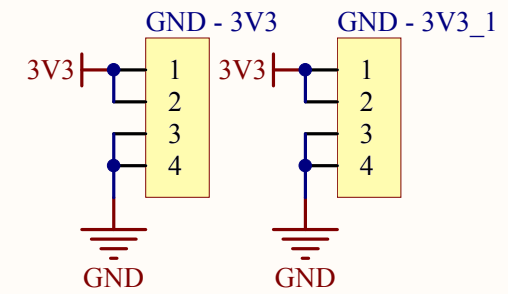
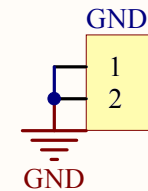
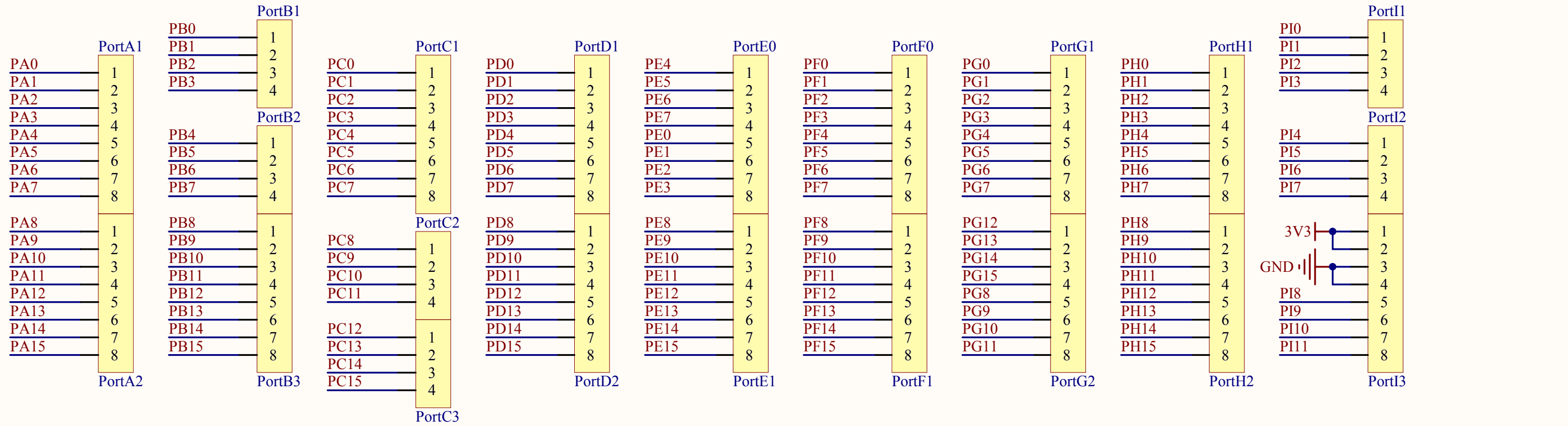




# MCBSTM32F200/F400

LCD.SchDoc	Revision: 1.1
Size: A4	Sheet 11 of 12
Date: 9/14/2011	Web: www.keil.com





**MCBSTM32F200/F400**

Headers.SchDoc  
Size: A4  
Date: 9/14/2011

Revision: 1.1  
Sheet 12 of 12  
Web: www.keil.com



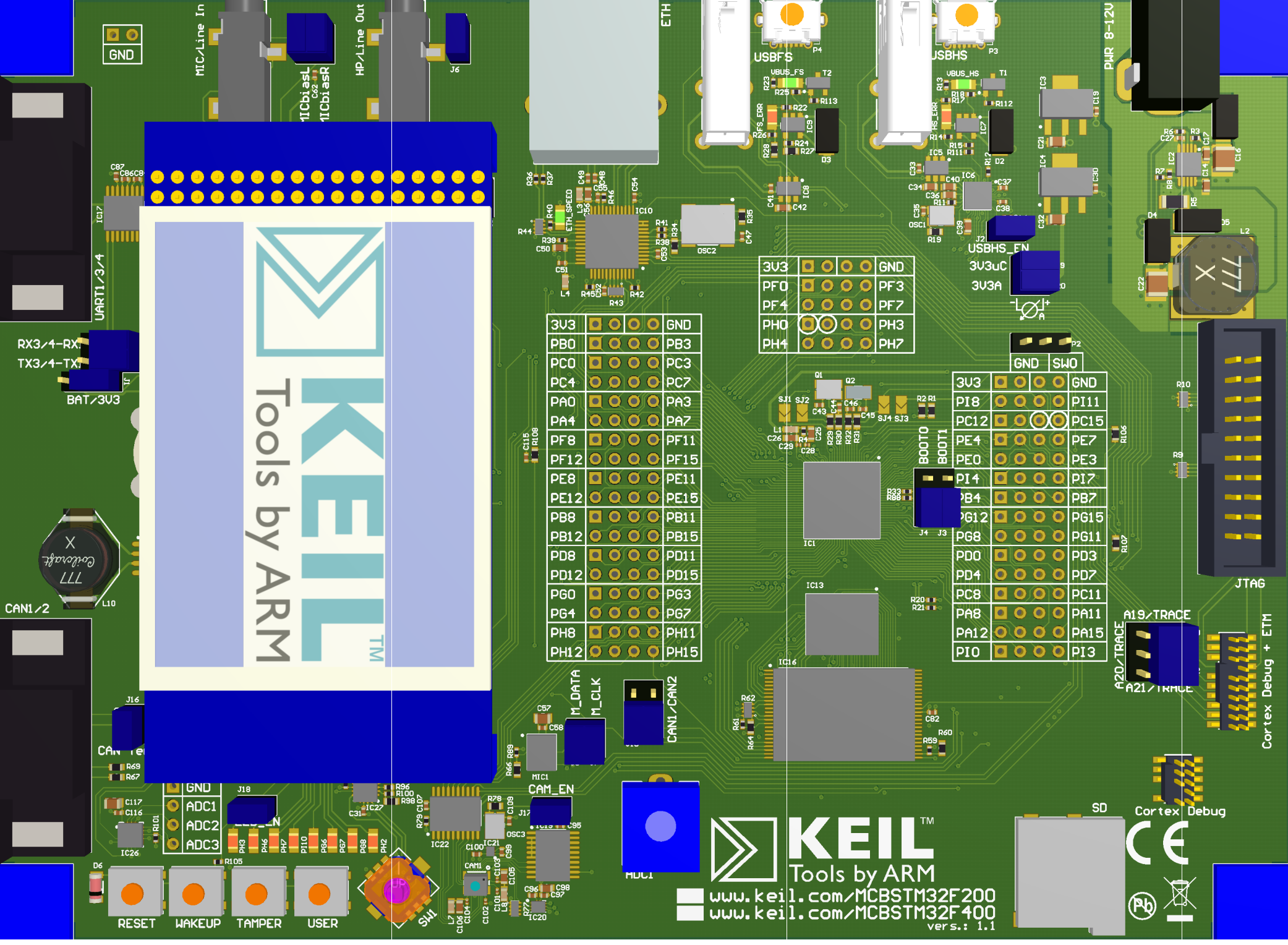
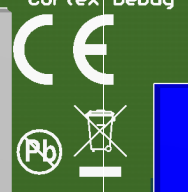


3V3			GND
PB0			PB3
PC0			PC3
PC4			PC7
PA0			PA3
PA4			PA7
PF8			PF11
PF12			PF15
PE8			PE11
PE12			PE15
PB8			PB11
PB12			PB15
PD8			PD11
PD12			PD15
PG0			PG3
PG4			PG7
PH8			PH11
PH12			PH15

3V3			GND
PFO			PF3
PF4			PF7
PH0			PH3
PH4			PH7

3V3			GND
PI8			PI11
PC12			PC15
PE4			PE7
PE0			PE3
PI4			PI7
PB4			PB7
PG12			PG15
PG8			PG11
PD0			PD3
PD4			PD7
PC8			PC11
PA8			PA11
PA12			PA15
PIO			PI3


**KEIL**  
 Tools by ARM  
[www.keil.com/MCBSTM32F200](http://www.keil.com/MCBSTM32F200)  
[www.keil.com/MCBSTM32F400](http://www.keil.com/MCBSTM32F400)  
 ver s.: 1.1



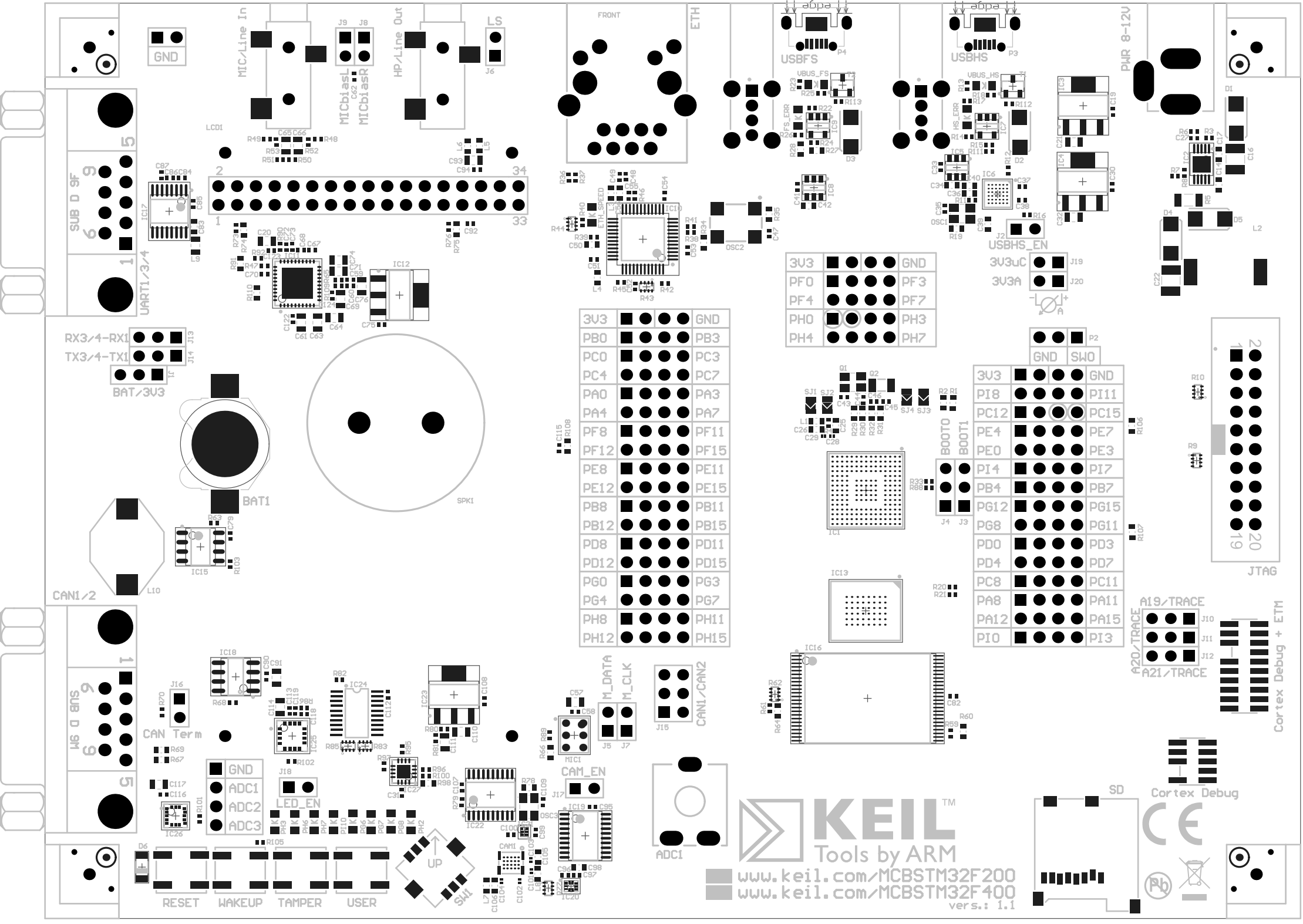
RX3/4-RX  
 TX3/4-TX  
 BAT/3V3

CAN1/2  
 L10

RESET WAKEUP TAMPER USER  
 GND  
 ADC1  
 ADC2  
 ADC3

A20/TRACE  
 A21/TRACE  
 JTAG  
 Cortex Debug + ETM

SD Cortex Debug



[www.keil.com/MCBSTM32F200](http://www.keil.com/MCBSTM32F200)  
[www.keil.com/MCBSTM32F400](http://www.keil.com/MCBSTM32F400)  
 vers.: 1.1

