

Introduction

The 32F769IDISCOVERY Discovery kit is a complete demonstration and development platform for STMicroelectronics Arm® Cortex®-M7 core-based STM32F769NIH6 microcontroller. It features four I²Cs, six SPIs with three multiplexed simplex I²S, 2xSDMMC, four USARTs, four UARTs, three CAN buses, three 12-bit ADCs, two 12-bit DACs, two SAls, 8- to 14-bit digital camera module interface, internal 512+4-Kbyte SRAM and 2-Mbyte Flash memory, USB HS OTG and USB FS OTG, Ethernet MAC, FMC interface, Quad-SPI interface and SWD debugging support.

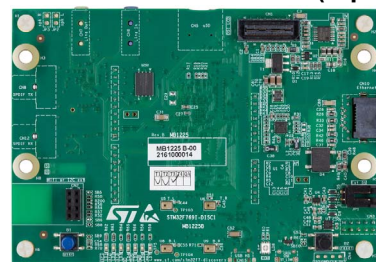
The Discovery kit offers all required to get started quickly and develop applications easily. The full range of hardware features available on the 32F769IDISCOVERY Discovery kit for both STM32F769I-DISCO and STM32F769I-DISC1 variants (see [Figure 1: STM32F769I-DISCO \(top view\)](#) and [Figure 2: STM32F769I-DISC1 \(top view\)](#)), helps users to evaluate the following peripherals: USB OTG HS, 10/100-Mbit Ethernet, microSD™, USART, SAI Audio DAC stereo with two audio jacks for input/output, ST MEMS digital microphones, SDRAM, Quad-SPI Flash memory, SPDIF input/output and DSI interface LCD with capacitive multi-touch panel. This latter is only available on the STM32F769I-DISCO, see [Figure 1](#). Arduino™ Uno V3 connectors allow easy connection of extension shields or daughterboards.

The integrated ST-LINK/V2-1 provides an embedded in-circuit debugger and programmer for the STM32. The 32F769IDISCOVERY Discovery kit comes with the STM32 comprehensive software HAL library together with various packaged software examples.

Figure 1. STM32F769I-DISCO (top view)

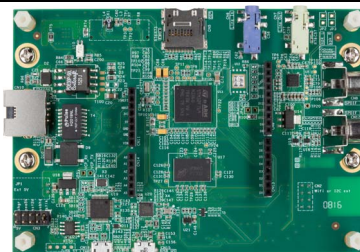


Figure 2. STM32F769I-DISC1 (top view)



1. Fig 1, Fig2 and Fig3 are not contractual.

Figure 3. 32F769IDISCOVERY board (bottom view)



Bottom view of:
STM32F769I-DISCO and
STM32F769I-DISC1

Contents

- 1 Features 6**
- 2 Demonstration software 7**
- 3 Product marking 7**
- 4 Ordering information 7**
- 5 Technology partners 8**
- 6 Hardware layout and configuration 9**
 - 6.1 The 32F769IDISCOVERY Discovery board layout 10
 - 6.2 The 32F769IDISCOVERY Discovery board mechanical drawing 12
 - 6.3 Embedded ST-LINK/V2-1 13
 - 6.3.1 Drivers 13
 - 6.3.2 ST-LINK/V2-1 firmware upgrade 14
 - 6.4 Power supply 15
 - 6.5 Programming/debugging when the power supply is not from ST-LINK (5 V link) 18
 - 6.6 Clock sources 18
 - 6.7 Reset sources 18
 - 6.8 Audio 18
 - 6.9 USB OTG HS 19
 - 6.10 microSD™ card 19
 - 6.11 Ethernet 19
 - 6.12 Power over Ethernet 19
 - 6.13 SDRAM memory 20
 - 6.14 Quad-SPI NOR Flash memory 20
 - 6.15 Virtual COM port 20
 - 6.16 Buttons and LEDs 20
 - 6.17 LCD display MIPI DSI (with STM32F769I-DISCO only) 21
 - 6.18 Adapter board from on-board DSI to HDMI (optional accessory display) 21

6.19	Adapter board from on-board DSI to external DSI (optional accessory display)	22
6.20	Wi-Fi® and extension I ² C connector	23
6.20.1	Serial Wi-Fi® module	23
6.20.2	Extension I ² C board	23
7	Connectors	24
7.1	Wi-Fi® and I ² C extension connector CN2	24
7.2	Arduino™ Uno V3 connectors	25
7.3	USB OTG HS micro-AB connector CN15	26
7.4	Ethernet RJ45 connector CN10	26
7.5	LCD display MIPI DSI connector CN1	27
7.6	microSD™ connector CN5	28
7.7	ST-LINK/V2-1 USB micro-B connector CN16	28
7.8	Audio stereo speakers JP2 and JP3	29
7.9	Audio line output connector jack CN7	29
7.10	Audio line input connector jack CN6	29
7.11	SPDIF input RCA connector CN12	29
7.12	SPDIF output RCA connector CN8	30
Appendix A	32F769IDISCOVERY I/O assignment	31
Appendix B	Schematics	38
Appendix C	Federal Communications Commission (FCC) and Industry Canada (IC) Compliance Statements	54
C.1	FCC Compliance Statement	54
C.1.1	Part 15.19	54
C.1.2	Part 15.105	54
C.1.3	Part 15.21	54
C.2	IC Compliance Statement	54
7.12.1	Compliance Statement	54
7.12.2	Déclaration de conformité	54
Revision history	55	

List of tables

Table 1.	List of the order codes	7
Table 2.	List of the order codes for the display accessories	8
Table 3.	Control port assignment	20
Table 4.	Wi-Fi [®] and I ² C extension connector CN2	24
Table 5.	Arduino [™] connectors (CN11, CN14, CN13 and CN9)	25
Table 6.	USB OTG HS micro-AB CN15	26
Table 7.	Ethernet RJ45 connector CN10	26
Table 8.	LCD display MIPI DSI connector CN1	27
Table 9.	microSD [™] connector CN5	28
Table 10.	USB micro-B connector CN16	29
Table 11.	SPDIF input RCA connector CN12	29
Table 12.	SPDIF output RCA connector CN8	30
Table 13.	32F769IDISCOVERY I/O assignment	31
Table 14.	Document revision history	55

List of figures

Figure 1.	STM32F769I-DISCO (top view)	1
Figure 2.	STM32F769I-DISCO1 (top view)	1
Figure 3.	32F769IDISCOVERY board (bottom view)	1
Figure 4.	Hardware block diagram	9
Figure 5.	32F769IDISCOVERY top layout	10
Figure 6.	32F769IDISCOVERY bottom layout	11
Figure 7.	32F769IDISCOVERY mechanical drawing	12
Figure 8.	USB composite device	13
Figure 9.	CN3 (ext5V) from JP1 (Ext 5 V)	15
Figure 10.	CN3 (ext5V) from CN11 (Vin)	15
Figure 11.	CN3 (chgr)	16
Figure 12.	CN3 (poe5V)	16
Figure 13.	CN3 (stlk)	17
Figure 14.	CN3 (usbhs)	17
Figure 15.	4-inch WVGA TFT DSI LCD daughterboard	21
Figure 16.	DSI to HDMI adapter board	22
Figure 17.	DSI to HDMI adapter board	22
Figure 18.	On-board DSI to external DSI	22
Figure 19.	On-board DSI to external DSI	22
Figure 20.	Wi-Fi [®] module (ESP8266-01)	23
Figure 21.	Wi-Fi [®] and I ² C extension connector CN2 (front view)	24
Figure 22.	Wi-Fi [®] and I ² C extension connector CN2 (front view)	24
Figure 23.	USB OTG micro-AB connector CN15 (front view)	26
Figure 24.	Ethernet RJ45 connector CN10 (front view)	26
Figure 25.	LCD display MIPI DSI connector CN1 (front view)	27
Figure 26.	microSD [™] connector CN5 (front view)	28
Figure 27.	USB micro-B connector CN16 (front view)	29
Figure 28.	32F769IDISCOVERY Discovery board interconnections	39
Figure 29.	ST-LINK/V2-1 with support of SWD only	40
Figure 30.	STM32F769NIH6 connections	41
Figure 31.	Audio codec WOLFSON and audio connectors	42
Figure 32.	SDRAM (MICRON)	43
Figure 33.	Quad-SPI Flash memory (MACRONIX mounted)	44
Figure 34.	Arduino [™] UNO connectors	45
Figure 35.	USB OTG HS PHY with micro A-B connector	46
Figure 36.	Ethernet PHY with RJ45 connector	47
Figure 37.	Power over Ethernet 3 W	48
Figure 38.	MIPI connector for DSI LCD and HDMI boards	49
Figure 39.	microSD [™] , Wi-Fi [®] , LEDs and push-button	50
Figure 40.	4-inch DSI LCD board	51
Figure 41.	DSI to HDMI adapter	52
Figure 42.	DSI connector adapter	53

1 Features

- STM32F769NIH6 Arm^{®(a)}-based microcontroller featuring 2-Mbyte Flash memory and 512+16+4 Kbytes of RAM, in BGA216 package
- On-board ST-LINK/V2-1 supporting USB reenumeration capability
- USB ST-LINK functions: virtual COM port, mass storage, debug port
- 4-inch capacitive touch LCD display with MIPI[®] DSI connector (on STM32F769I-DISCO only)
- Optional display accessories: DSI LCD, HDMI adapter and DSI adapter
- SAI audio codec
- Two audio line jacks, one for input and one for output
- Stereo speaker outputs
- Four ST-MEMS microphones on DFSDM inputs
- Two SPDIF RCA input and output connectors
- Two push-buttons (user and reset)
- 512-Mbit Quad-SPI Flash memory
- 128-Mbit SDRAM
- Connector for microSD[™] card
- Wi-Fi[®] or Ext-EEP daughterboard connector
- USB OTG HS with micro-AB connector
- Ethernet connector compliant with IEEE-802.3-2002
- Five power supply options:
 - ST LINK/V2-1
 - USB HS connector
 - 5 V from RJ45 (Power Over Ethernet)
 - 5 V from Arduino[™] or external connector
 - USB charger
- Power Over Ethernet based on IEEE 802.3af (Powered Device, 48 V to 5 V, 3 W)
- Power supply output for external applications: 3.3 V or 5 V
- Arduino[™] Uno V3 connectors
- Comprehensive free software including a variety of examples, part of the STM32Cube package
- Supported by a wide choice of integrated development environments



a. Arm is a registered trademark of Arm Limited (or its subsidiaries) in the US and/or elsewhere.

2 Demonstration software

The demonstration software is preloaded in the STM32F769NIH6 Flash memory. The latest versions of the demonstration source code and associated documentation can be downloaded from www.st.com/stm32f7-discovery.

3 Product marking

Evaluation tools marked as "ES" or "E" are not yet qualified and therefore they are not ready to be used as reference design or in production. Any consequences deriving from such usage will not be at ST charge. In no event, ST will be liable for any customer usage of these engineering sample tools as reference design or in production.

"E" or "ES" marking examples of location:

- On the targeted STM32 that is soldered on the board (for illustration of STM32 marking, refer to the section "Package information" of the STM32 datasheet at www.st.com).
- Next to the evaluation tool ordering part number, that is stuck or silkscreen printed on the board

This board features a specific STM32 device version, which allows the operation of any bundled commercial stack/library available. This STM32 device shows a "U" marking option at the end of the standard part number and is not available for sales. In order to use the same commercial stack in his application, a developer may need to purchase a part number specific to this stack/library. The price of those part numbers includes the stack/library royalties.

4 Ordering information

To order the Discovery kit with the STM32F769NI MCU, refer to [Table 1](#).

Table 1. List of the order codes

Order code	Product package
STM32F769I-DISCO	with 4-inch WVGA TFT LCD display
STM32F769I-DISC1	without 4-inch WVGA TFT LCD display

To order the optional display accessories for the 32F769IDISCOVERY Discovery kit, refer to [Table 2](#).

Table 2. List of the order codes for the display accessories

Order code	Product description
B-LCD40-DSI1	4-inch WVGA TFT LCD with MIPI-DSI interface and capacitive touch screen
B-LCDAD-RPI1	15-pin single row Flexible Printed Circuit DSI adapter board
B-LCDAD-HDMI1	DSI to HDMI adapter

5 Technology partners

MICRON:

- 128-Mbit SDRAM, part number MT48LC4M32B2

MACRONIX:

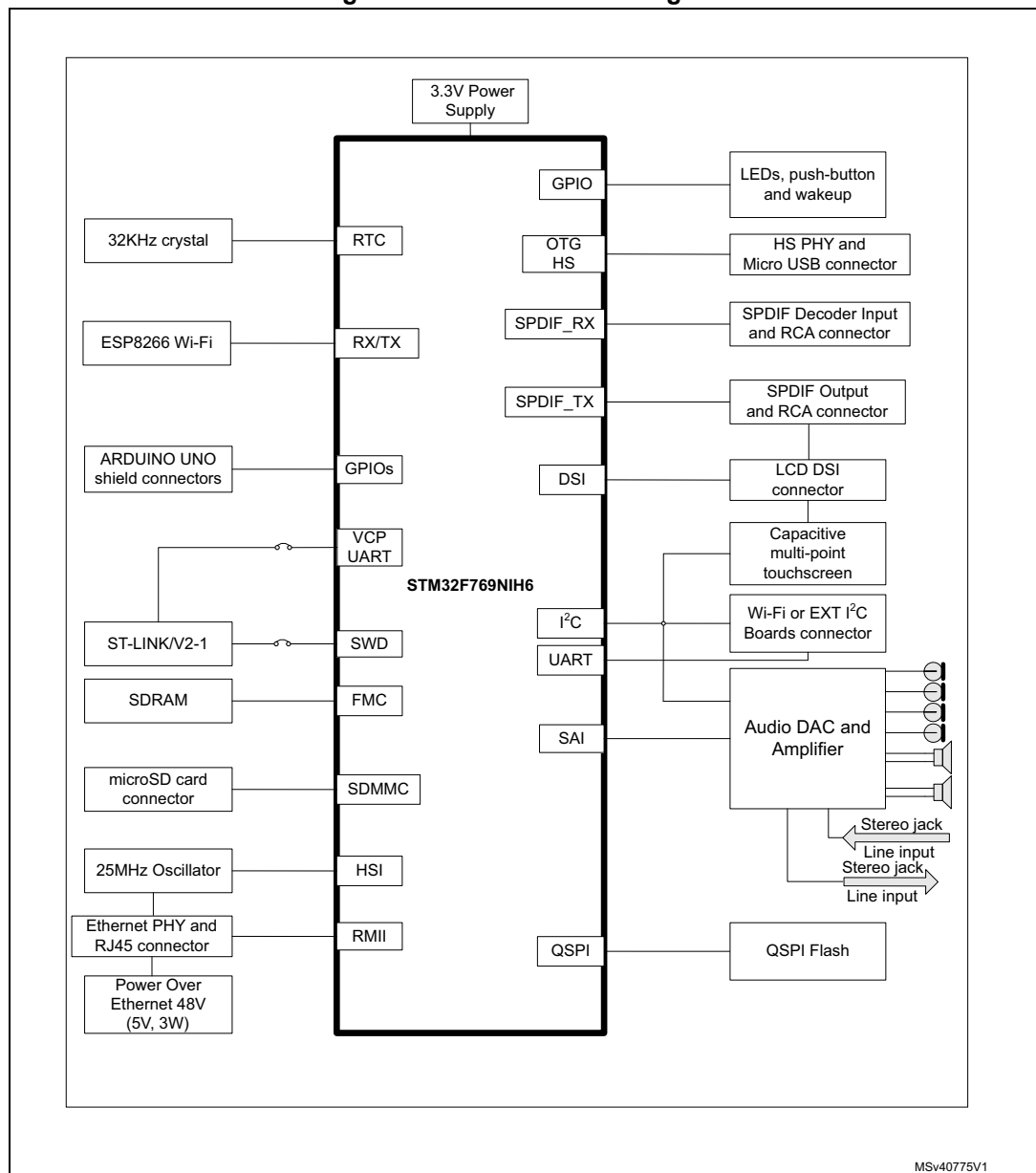
- 512-Mbit Quad-SPI NOR Flash memory device, part number MX25L51245G

6 Hardware layout and configuration

The 32F769IDISCOVERY Discovery board is designed around the STM32F769NIH6 (216-pin TFBGA package). The hardware block diagram (see [Figure 4](#)) illustrates the connections between the STM32F769NIH6 and the peripherals (SDRAM, Quad-SPI Flash memory, LCD DSI connector, USB OTG connectors, USART, Ethernet, Audio, SPDIF RCA in, SPDIF RCA out, microSD™ card, Arduino™ Uno shields and embedded ST-LINK).

[Figure 5](#) and [Figure 6](#) help users to locate these features on the Discovery board. The mechanical dimensions of the Discovery board are shown in [Figure 7](#).

Figure 4. Hardware block diagram



6.1 The 32F769IDISCOVERY Discovery board layout

Figure 5. 32F769IDISCOVERY top layout

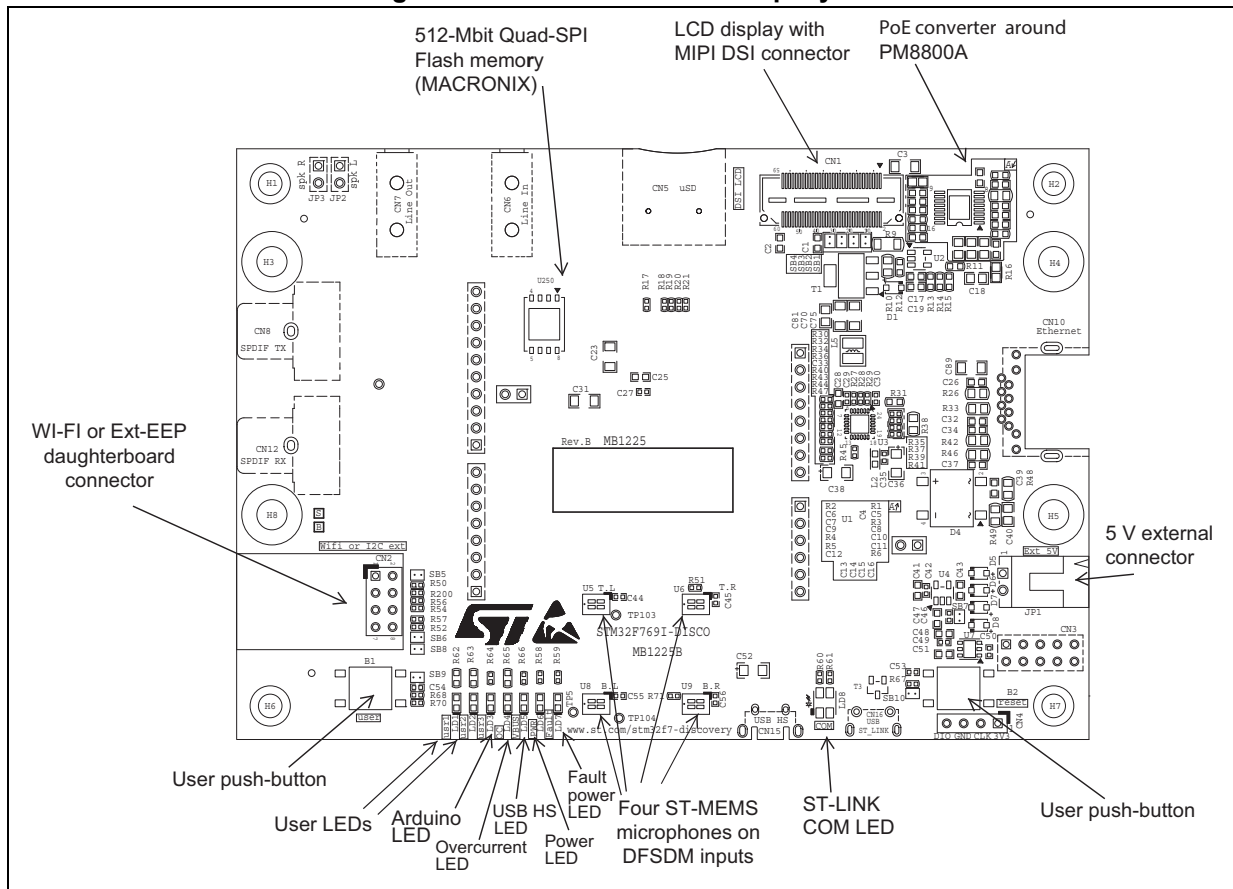
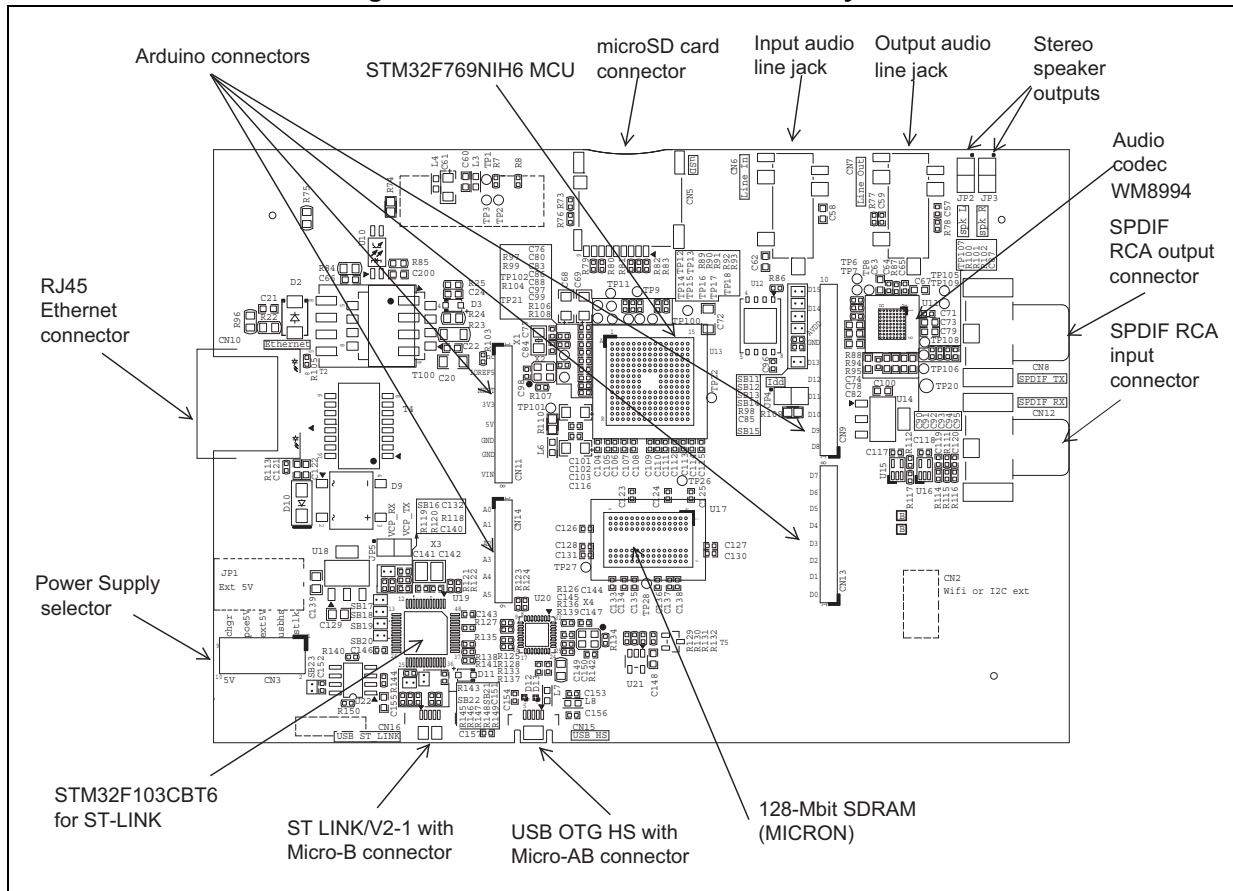
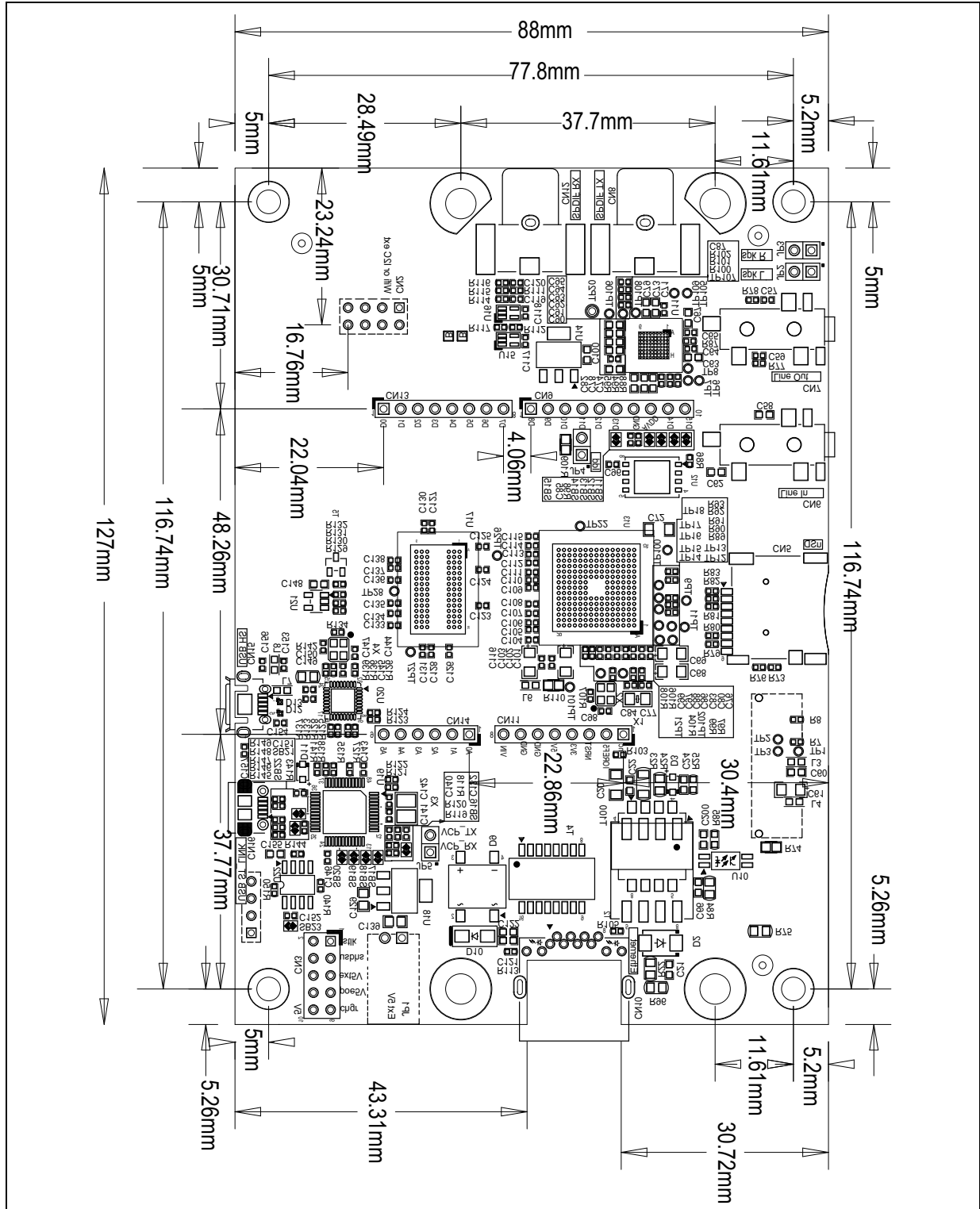


Figure 6. 32F769IDISCOVERY bottom layout



6.2 The 32F769IDISCOVERY Discovery board mechanical drawing

Figure 7. 32F769IDISCOVERY mechanical drawing



6.3 Embedded ST-LINK/V2-1

The ST-LINK/V2-1 programming and debugging tool is integrated on the 32F769IDISCOVERY Discovery board. Compared to ST-LINK/V2 the changes are listed below.

The new features supported on ST-LINK/V2-1 are:

- USB software re-enumeration
- Virtual COM port interface on USB
- Mass storage interface on USB
- USB power management request for more than 100mA power on USB

These features are no more supported on ST-LINK/V2-1:

- SWIM interface
- Application voltage lower than 3 V

For general information concerning the debugging and programming features that are common to both versions V2 and V2-1, refer to *ST-LINK/V2 in-circuit debugger/programmer for STM8 and STM32 User manual (UM1075)*.

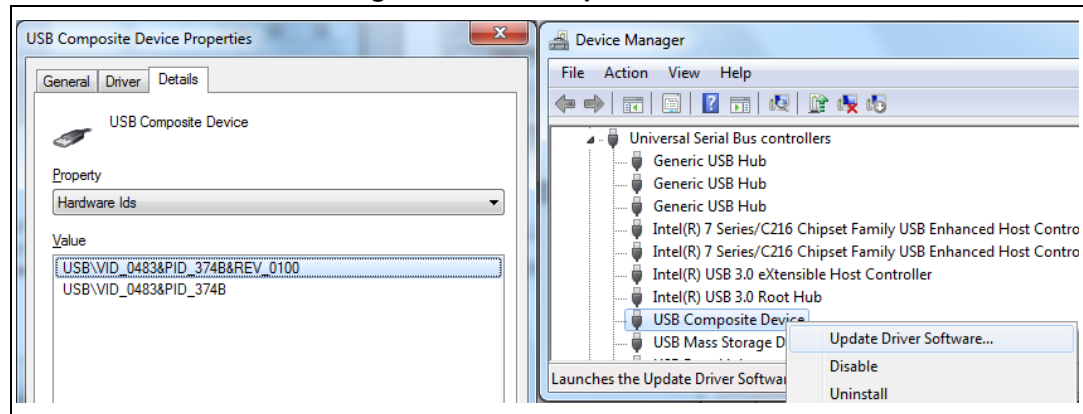
6.3.1 Drivers

The ST-LINK/V2-1 requires a dedicated USB driver, which, for Windows[®] XP, 7 and 8, is available at the www.st.com website.

In case the 32F769IDISCOVERY Discovery board is connected to the PC before the driver is installed, some 32F769IDISCOVERY interfaces may be declared as "unknown" in the PC device manager. In this case the user must install the driver files and update the driver of the connected device from the device manager.

Note: Prefer using the "USB Composite Device" handle for a full recovery.

Figure 8. USB composite device



6.3.2 ST-LINK/V2-1 firmware upgrade

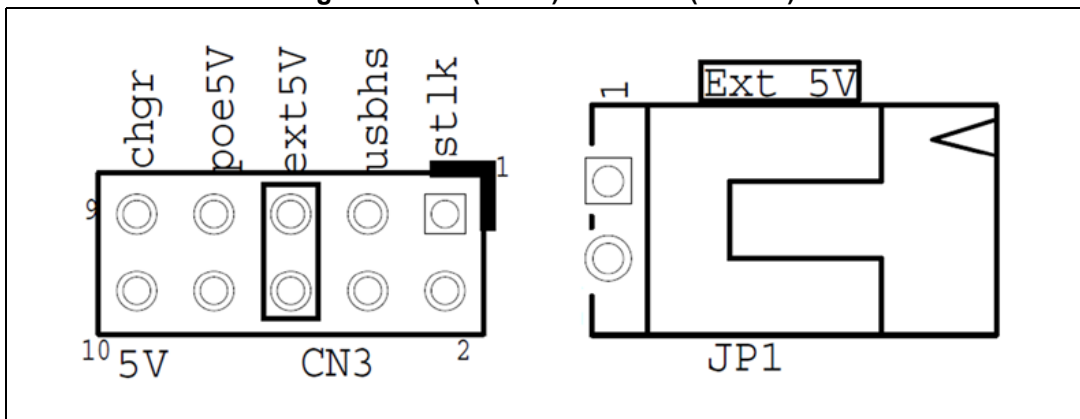
The ST-LINK/V2-1 embeds a firmware upgrade mechanism for in-situ upgrade through the USB port. As the firmware may evolve during the life time of the ST-LINK/V2-1 product (for example new functionalities, bug fixes, support for new microcontroller families), it is recommended to visit the www.st.com website before starting to use the 32F769IDISCOVERY Discovery board and periodically, to stay up-to-date with the latest firmware version.

6.4 Power supply

The 32F769IDISCOVERY Discovery board is designed to be powered by the 5 V DC power supply. It is possible to configure the Discovery board to use any of the following five sources for the power supply:

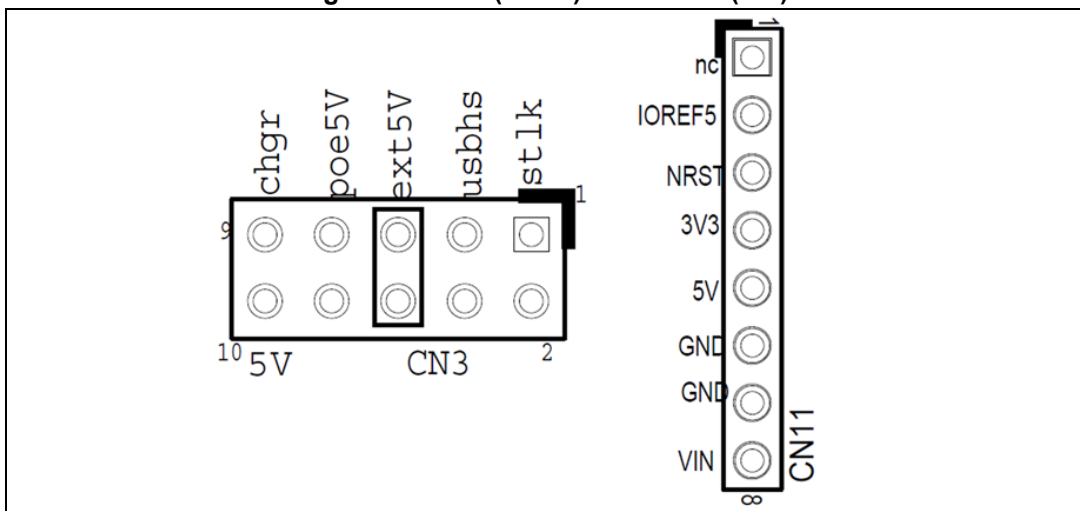
- 5 V DC power adapter connected to JP1 (Ext 5 V). In this case, the 32F769IDISCOVERY Discovery board must be powered by a power supply unit or by an auxiliary equipment complying with the standard EN-60950-1: 2006+A11/2009, and must be Safety Extra Low Voltage (SELV) with limited power capability (5 V power source on the silkscreen of JP1 (Ext 5 V). See [Figure 9](#):

Figure 9. CN3 (ext5V) from JP1 (Ext 5 V)



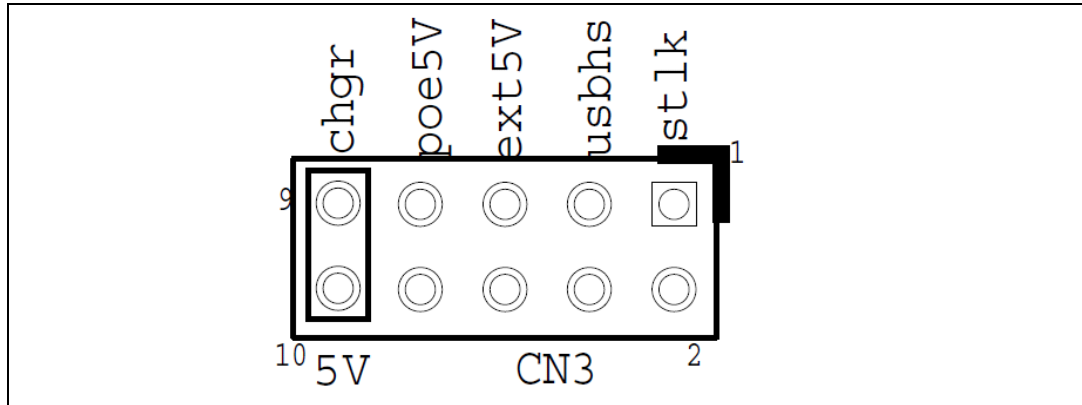
- 7-12 V DC power from CN11 pin named Vin on silkscreen, the extension connectors for Arduino™ UNO shields or daughterboards (5 V power source on silkscreen of JP1 (Ext 5 V)). The input current capability is linked to the input voltage (see [Figure 10](#)):
 - 800 mA input current when $V_{in}=7\text{ V}$
 - 450 mA input current when $7\text{ V}<V_{in} (< \text{ or } =) 9\text{ V}$
 - 250 mA input current when $9\text{ V}<V_{in} (< \text{ or } =) 12\text{ V}$

Figure 10. CN3 (ext5V) from CN11 (Vin)



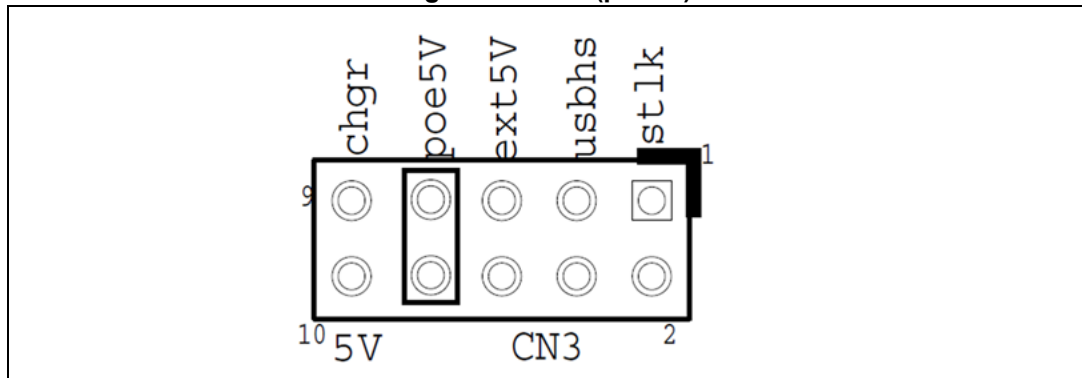
- 5 V DC power charger connected to USB ST-LINK (CN16). In this case, if the 32F769IDISCOVERY Discovery board is powered by an external USB charger then the debug features are not available. If the board is connected to the PC instead, the limitation is no more effective with high risk to damage the PC (5 V power source on silkscreen of CN3 (chgr). See [Figure 11](#):

Figure 11. CN3 (chgr)



- 48 V DC power from RJ45 connector CN10 (Ethernet). In this case, the on-board module PoE (Power over Ethernet) generates the 5 V and it is able to provide up to 600 mA. This module is a Powered Device complying with the standard IEEE802.3af, class 1 / 2. The external power supply must be fully IEEE 802.3af compliant (5 V power source on silkscreen of CN3 (poe5V). See [Figure 12](#):

Figure 12. CN3 (poe5V)

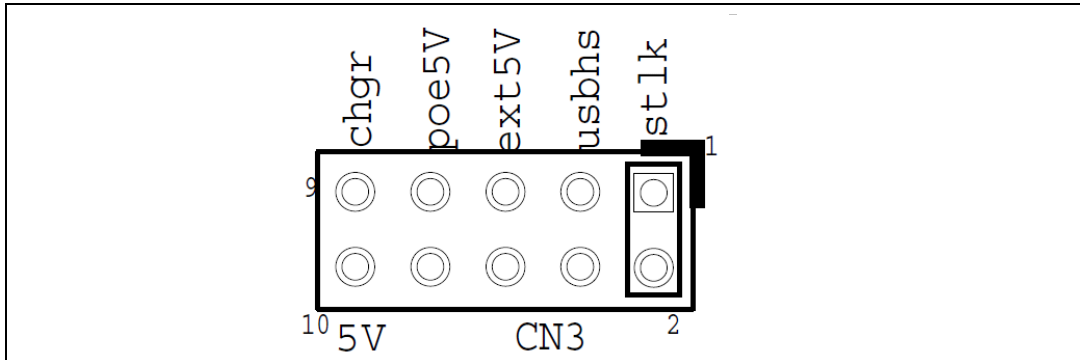


- 5 V DC power with limitation from CN16, the USB type micro-B connector of ST-LINK/V2-1 (USB 5 V power source on silkscreen of CN3 (stlk)). It is the default setting. If the USB enumeration succeeds (as explained below), the ST-LINK 5 V link power is enabled, by asserting the PWR_ENn signal. This pin is connected to a power switch ST890, which powers the board. This power switch also features a current limitation to protect the PC in case of a short-circuit on the board (more than 700 mA). See [Figure 13](#).

The 32F769IDISCOVERY Discovery board can be powered from the ST-LINK USB connector CN16 (stlk), but only the ST-LINK circuit has the power before the USB enumeration, because the host PC only provides 100 mA to the board at that time. During the USB enumeration, the 32F769IDISCOVERY Discovery board asks for the 500 mA power to the host PC. If the host is able to provide the required power, the enumeration finishes by a "SetConfiguration" command and then, the power transistor ST890 is switched

ON, the red LED LD6 is turned ON, thus the 32F769IDISCOVERY Discovery board can consume maximum 500 mA current, but no more. If the host is not able to provide the requested current, the enumeration fails. Therefore the ST890 remains OFF and the STM32 part including the extension board is not powered. As a consequence the red LED LD6 remains turned OFF. In this case it is mandatory to use an external power supply.

Figure 13. CN3 (stlk)



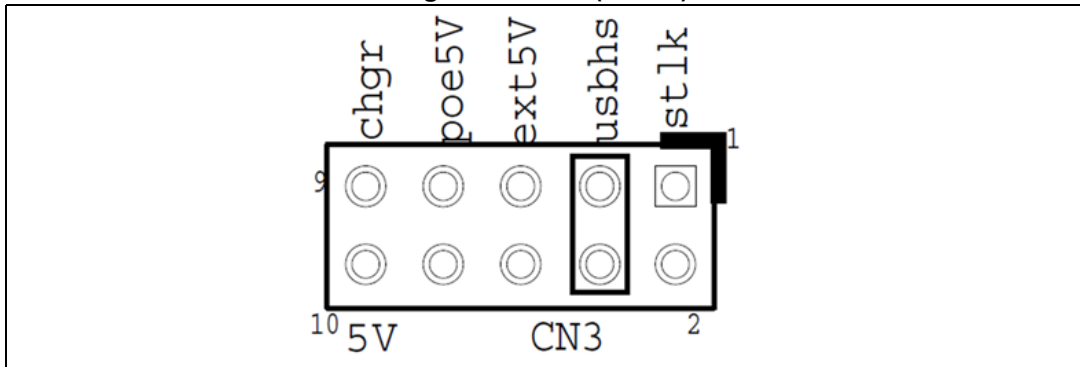
Note: In case the board is powered by a USB charger, there is no USB enumeration, so the led LD2 remains set to OFF permanently and the board is not powered. Only in this specific case, the resistor R138 needs to be soldered, to allow the board to be powered anyway.

The LED LD6 is lit when the 32F769IDISCOVERY Discovery board is powered by the 5 V correctly.

Caution: Do not connect the PC to the ST-LINK (CN16) when R138 is soldered. The PC may be damaged or the board not powered correctly.

- 5 V DC power with 500 mA limitation from CN15, the USB OTG HS micro-AB connector (5 V power source on silkscreen of CN3 (usbhs)). See [Figure 14](#):

Figure 14. CN3 (usbhs)



6.5 Programming/debugging when the power supply is not from ST-LINK (5 V link)

It is mandatory to power the board first using JP1 (Ext 5 V) or CN11 (Vin) or CN10 (Ethernet) or CN15 (usbhs), then connecting the USB cable to the PC. Proceeding this way ensures that the enumeration succeeds thanks to the external power source.

The following power sequence procedure must be respected:

1. Connect the jumper CN3 on (ext5V) or (usbhs) or (poe5V)
2. Connect the external power source to JP1 or CN11 or CN10 or CN15
3. Check the red LED LD2 is turned ON
4. Connect the PC to USB connector CN16

If this order is not respected, the board may be powered first by VBUS from the ST-LINK, and the following risks may be encountered:

1. If more than 500 mA current is needed by the board, the PC may be damaged or current can be limited by the PC. As a consequence the board is not powered correctly.
2. 500 mA is requested at the enumeration: in this case there is a risk that the request is rejected and the enumeration does not succeed if the PC cannot provide such current.

6.6 Clock sources

Up to three clock sources are available, as described below:

- X1, 24MHz oscillator for USB OTG HS PHY
- X2, 25MHz oscillator for the STM32F769NIH6 microcontroller and Ethernet PHY
- X3, 32KHz crystal for the STM32F769NIH6 embedded RTC

6.7 Reset sources

The reset signal of the 32F769IDISCOVERY Discovery board is active low and the reset sources are:

- Reset button B2
- Arduino™ Uno shield board from CN11
- Embedded ST-LINK/V2-1

6.8 Audio

An audio codec WM8994ECS/R from CIRRUS with 4 DACs and 2 ADCs is connected to the SAI interface of the STM32F769NIH6. It communicates with the STM32F769NIH6 via I²C bus shared with the touch panel of the LCD DSI:

- The analog line input is connected to ADC of WM8994ECS/R through the audio jack CN6.
- The analog line output is connected to DAC of WM8994ECS/R via the audio jack CN7.
- Two external speakers can be connected to WM8994ECS/R via the JP2 for the left speaker and JP3 for the right speaker.

- Four digital microphones (ST MEMS microphone) MP34DT01TR are available on the 32F769IDISCOVERY Discovery board. They are connected to the input digital microphones of the STM32F769NIH6 and are managed by the DFSDM functionality.
- One coaxial connector CN12 is implemented on the 32F769IDISCOVERY to receive an external audio data compatible with SPDIF specification.
- One coaxial connector CN8 is implemented on the 32F769IDISCOVERY to output external audio data compatible with SPDIF specification.

6.9 USB OTG HS

32F769IDISCOVERY Discovery board supports USB OTG high-speed communication via a USB micro-AB connector and a USB high-speed PHY USB3320C-EZK from MICROCHIP for high-speed function.

The Discovery board can be powered by the USB connectors at 5 V DC with 500 mA current limitation.

A USB power switch is also connected on VBUS and provides power to CN15. The green LED LD5 is lit in one of these cases:

- Power switch is ON and 32F769IDISCOVERY works as a USB host
- VBUS is powered by another USB host when 32F769IDISCOVERY works as a USB device

The red LED LD4 is lit when an overcurrent occurs.

Note: 32F769IDISCOVERY Discovery board should be powered by an external power supply when using OTG function.

6.10 microSD™ card

The 2-Gbyte (or more) microSD™ card connected to SDMMC2 port of STM32F769NIH6 is supported by the board.

6.11 Ethernet

The 32F769IDISCOVERY Discovery board supports 10/100-Mbit Ethernet communication by a PHY LAN8742A-CZ-TR from MICROCHIP and integrated a RJ45 connector. Ethernet PHY is connected to the STM32F769NIH6 via an RMII interface.

The oscillator X2 generates a 25 MHz clock for the PHY, the PHY RMII_REF_CLK generates the 50 MHz clock for the STM32F769NIH6.

6.12 Power over Ethernet

The 32F769IDISCOVERY Discovery board integrates a power module that uses Ethernet. This module is an IEEE802.3af compliant, class 1 / 2 PoE converter based on the simple diode rectified Flyback topology around the PM8800A component from ST. This module "Powered Device" accepts input voltage of 48 V and is able to provide 5 V with 600 mA.

6.13 SDRAM memory

A 128-Mbit SDRAM (MT48LC4M32B2B5-6A from MICRON) is connected to the FMC interface of the STM32F769NIH6. This memory is used as 4M x 32bits.

6.14 Quad-SPI NOR Flash memory

A 512-Mbit Quad-SPI NOR Flash memory (MX25L51245GZ2I-08G from MACRONIX) is connected to the Quad-SPI interface of the STM32F769NIH6.

6.15 Virtual COM port

The serial interface USART1 is directly available as a virtual COM port of the PC, connected to the ST-LINK/V2-1 USB connector CN1. The virtual COM port settings are configured as: 115200 b/s, 8 bits data, no parity, 1 stop bit, no flow control.

6.16 Buttons and LEDs

The black button B2 located top side is the reset of the microcontroller STM32F769NIH6. The blue button B1 located top side is available to be used as a digital input or as a wakeup-alternate function. When the button is depressed the logic state is 1, otherwise the logic state is 0. Four LEDs located top side are available for the user. From left to right the LEDs are LD1, LD2, LD3, and LD4 with colors green, orange, red and blue respectively (refer to the [Figure 5: 32F769IDISCOVERY top layout](#)). To light a LED a low-logic state 0 should be written in the corresponding GPIO register. [Table 3](#) shows the assignment of the control ports to the LED indicators.

Table 3. Control port assignment

Reference	Color	Name	Comment
B1	BLUE	USER	Alternate function Wake-up
B2	BLACK	RESET	-
LD1	RED	USER1	PJ13
LD2	GREEN	USER2	PJ5
LD3	GREEN	Arduino	PA12
LD4	RED	OTG overcurrent	PD4
LD5	GREEN	VBUS USB HS	-
LD6	RED	5 V Power	-
LD7	RED	Fault Power	Current upper than 625 mA
LD8	RED/GREEN	STLINK COM	Green when communication

6.17 LCD display MIPI DSI (with STM32F769I-DISCO only)

The color display on the board MB1166, 4-inch 800x472 LCD-TFT with capacitive touch panel is connected to the MIPI DSI interface of the STM32F769NIH6 (for technical information on the board refer to the [Section Appendix B: Schematics](#)). The DSI (Display Serial Interface) is a specification of the MIPI Alliance standard and defines the physical interface and the protocol used by the STM32F769NIH6 microcontroller to communicate with such LCD module (see [Figure 15](#)). This module is an optional accessory for the STM32F769I-DISCO1 board and has to be ordered separately, while for the STM32F769I-DISCO board it is provided in the board package.

For more information on the LCD display refer to “4” WVGA TFT LCD board with MIPI® DSI interface and capacitive touch screen” User manual (UM2104).

Figure 15. 4-inch WVGA TFT DSI LCD daughterboard

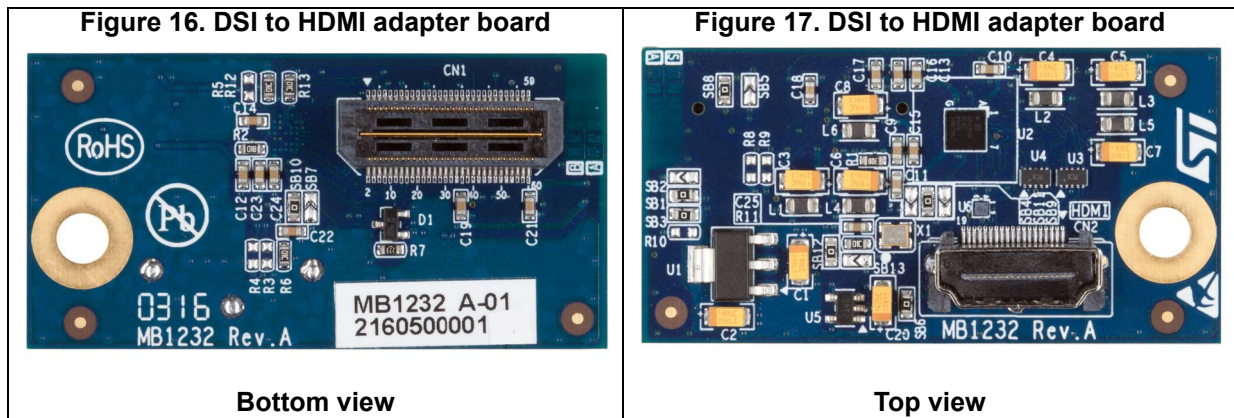


1. Picture is not contractual.

6.18 Adapter board from on-board DSI to HDMI (optional accessory display)

The DSI to HDMI adapter board provides DSI input port and HDMI output port. It is used on the 32F769IDISCOVERY Discovery board, to demonstrate video solutions based on STM32 (for technical information on this adapter board refer to the [Section Appendix B: Schematics](#)).

It supports 2-, 3- or 4-lane DSI video as input data, S/PDIF, 2-channel I²S audio as input data and HDMI v1.3 output port (see [Figure 16](#) and [Figure 17](#)). For more information refer to “DSI to HDMI adapter board for STM32 Development Tools” User manual (UM2048).

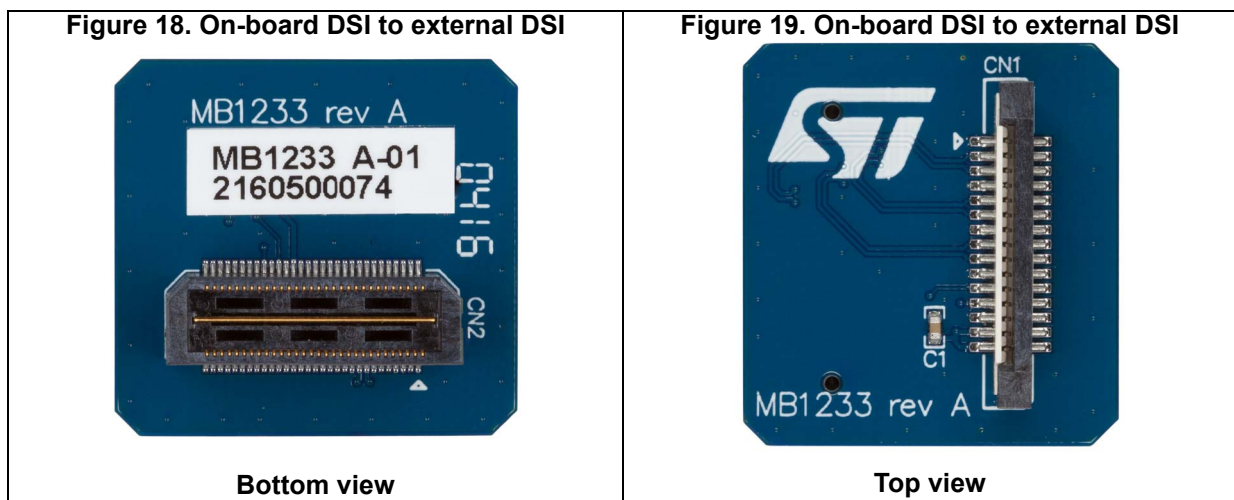


1. Pictures are not contractual.

6.19 Adapter board from on-board DSI to external DSI (optional accessory display)

This adapter board allows the user to connect an external LCD with DSI format. This adapter board is connected to the high-speed connector (Samtec high-speed connector QTH-030) from the 32F769IDISCOVERY Discovery board to the standard DSI display connector (TE 1-1734248). For technical information on the board refer to the [Section Appendix B: Schematics](#).

This DSI adapter board features up to two lanes of MIPI/DSI data and I²C interface support, and enables the use of extended displays with the standard DSI interface on STM32 evaluation and Discovery board families (see [Figure 18](#) and [Figure 19](#)).



1. Pictures are not contractual.

6.20 Wi-Fi® and extension I²C connector

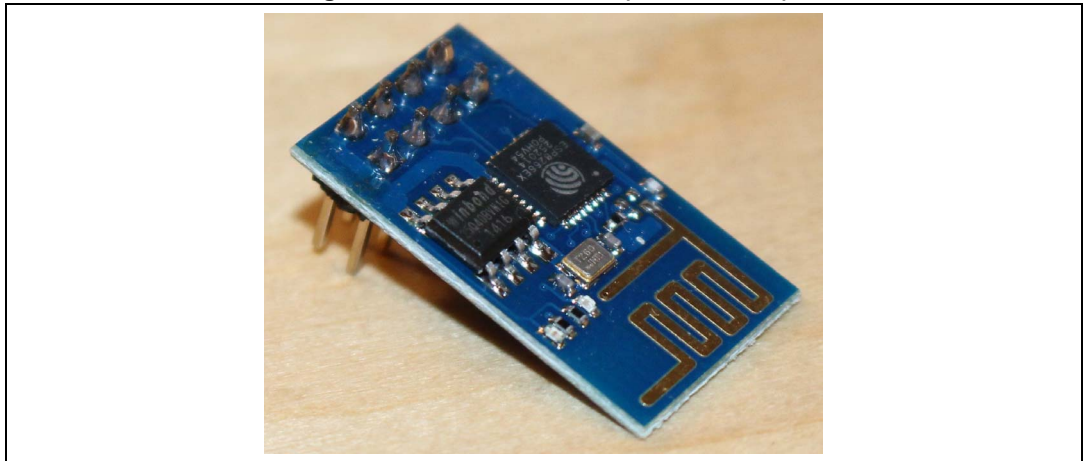
The connector CN2 is able to support the Wi-Fi® module or extension I²C board.

6.20.1 Serial Wi-Fi® module

This module is 802.11 b/g/n compliant and is driven through a serial communication using only RX and TX of a UART interface (see [Figure 20](#)).

This low-cost module is not an STMicroelectronics accessory. Its order code is ESP8266-01.

Figure 20. Wi-Fi® module (ESP8266-01)



6.20.2 Extension I²C board

User can design a board according to the pin-out provided in [Section 7: Connectors](#) and to the schematic [Figure 39: microSD™, Wi-Fi®, LEDs and push-button](#).

Each signal used for this I²C is GPIOs, the I²C protocol must be managed by software.

7 Connectors

7.1 Wi-Fi[®] and I²C extension connector CN2

Figure 21. Wi-Fi[®] and I²C extension connector CN2 (front view)

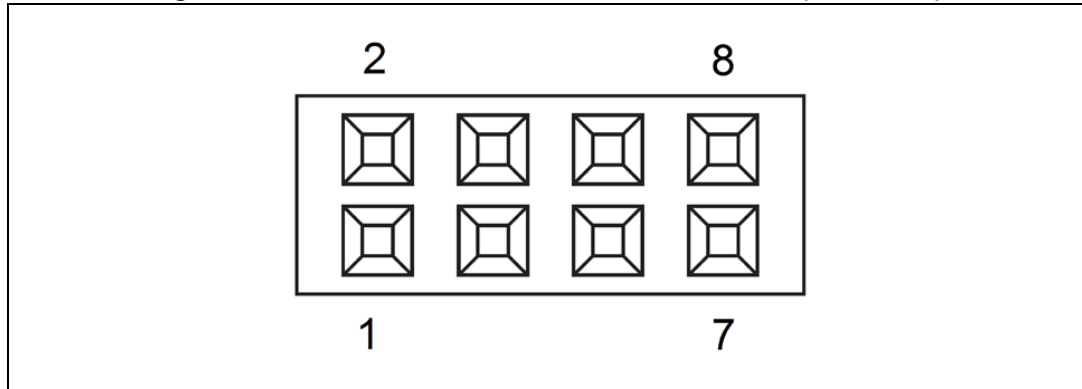
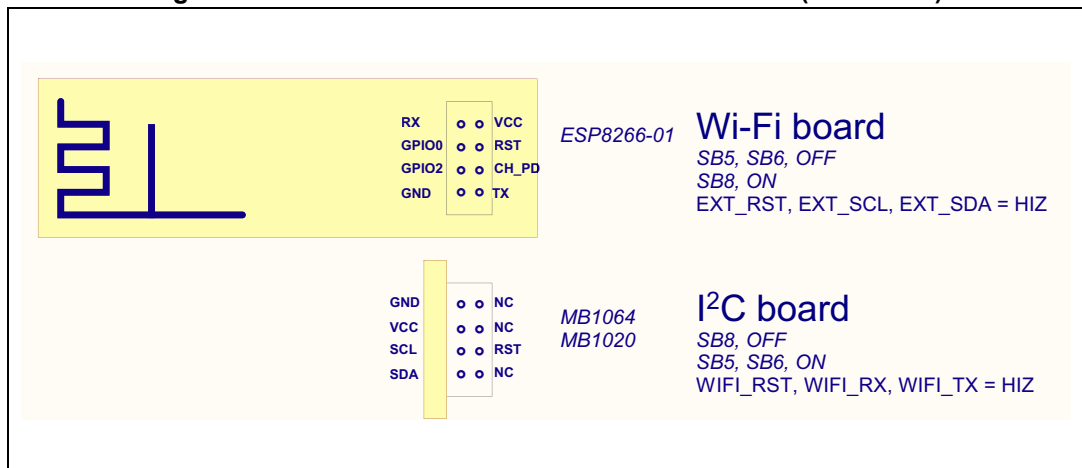


Table 4. Wi-Fi[®] and I²C extension connector CN2

Pin number	Wi-Fi [®] description	Pin number	I ² C description
1	WIFI_RX	1	GND
2	3V3	2	NC
3	GPIO0	3	3V3
4	WIFI-RST	4	NC
5	GPIO2	5	EXT_SCL
6	CH_PD	6	EXT_RST
7	GND	7	EXT_SDA
8	WIFI_TX	8	NC

Figure 22. Wi-Fi[®] and I²C extension connector CN2 (front view)



1. For more details refer to [Figure 39: microSD™, Wi-Fi[®], LEDs and push-button.](#)

7.2 Arduino™ Uno V3 connectors

Table 5. Arduino™ connectors (CN11, CN14, CN13 and CN9)

Left connectors					-	Right connectors								
CN No.	Pin No.	Pin name	STM32 Pin	Function	-	Function	STM32 Pin	Pin name	Pin No.	CN No.				
-					-	I2C1_SCL	PB8	D15	10	CN9 digital				
						I2C1_SDA	PB9	D14	9					
						AVDD	-	AREF	8					
						Ground	-	GND	7					
CN11 power	1	NC	-	-	-	SPI2_SCK	PA12	D13	6					
	2	IOREF	-	3.3 V Ref		SPI2_MISO	PB14	D12	5					
	3	RESET	NRST	RESET		TIM12_CH2, SPI2_MOSI	PB15	D11	4					
	4	+3V3	-	3.3 V input/output		TIM1_CH4, SPI2_NSS	PA11	D10	3					
	5	+5 V	-	5 V output		TIM12_CH1	PH6	D9	2					
	6	GND	-	Ground		-	PJ4	D8	1					
	7	GND	-	Ground		-								
	8	VIN	-	Power input		-	PJ3	D7	8					
-					-	TIM11_CH1	PF7	D6	7	CN13 digital				
CN14 analog						TIM3_CH3	PC8	D5	6					
						1	A0	PA6	ADC1_IN6		-	PJ0	D4	5
						2	A1	PA4	ADC1_IN4		TIM10_CH1	PF6	D3	4
						3	A2	PC2	ADC1_IN1 2		-	PJ1	D2	3
						4	A3	PF10	ADC3_IN8		USART6_TX	PC6	D1	2
						5	A4	PF8 or PB ⁽¹⁾	ADC3_IN6 (PF8) or I2C1_SDA (PB9)		USART6_RX	PC7	D0	1
6	A5	PF9 or PB ⁽¹⁾	ADC3_IN7 (PF9) or I2C1_SCL (PB8)											

1. For details refer to the [Table 13: 32F769IDISCOVERY I/O assignment](#).

7.3 USB OTG HS micro-AB connector CN15

Figure 23. USB OTG micro-AB connector CN15 (front view)

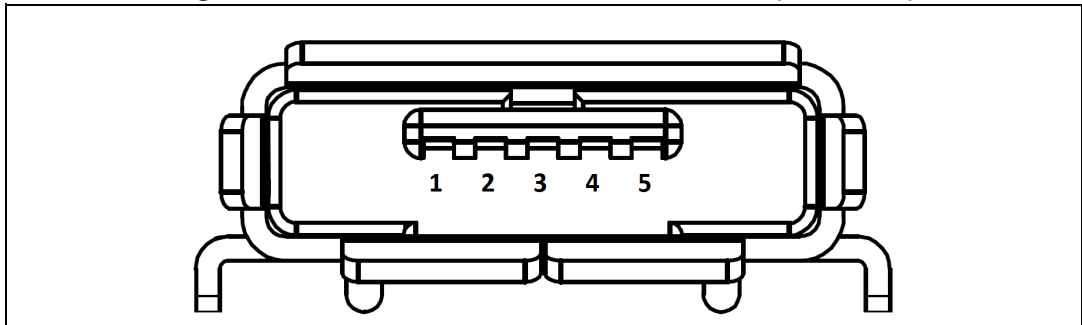


Table 6. USB OTG HS micro-AB CN15

Pin number	Description	Pin number	Description
1	VBUS	4	ID
2	D-	5	GND
3	D+	-	-

7.4 Ethernet RJ45 connector CN10

Figure 24. Ethernet RJ45 connector CN10 (front view)

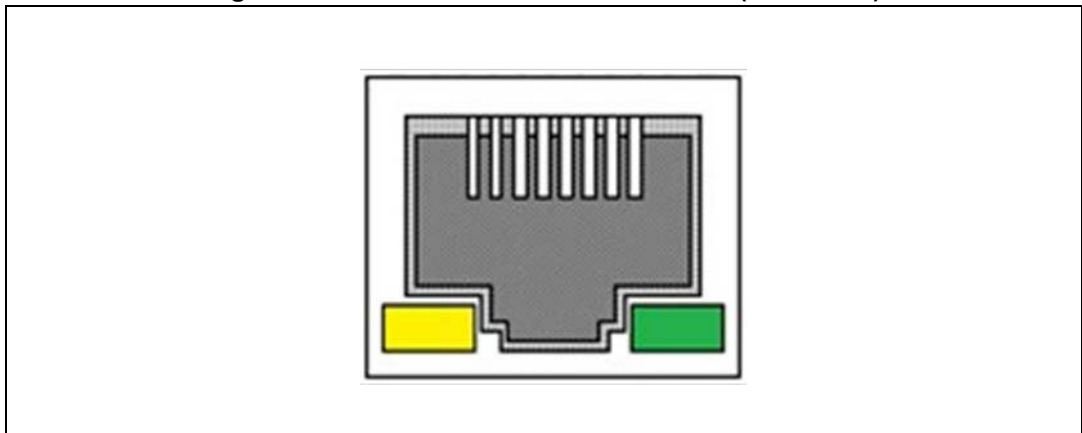


Table 7. Ethernet RJ45 connector CN10

Pin number	Description	Pin number	Description
1	TX+	7	-
2	TX-	8	-
3	RX+	9	K, yellow LED
4	-	10	A, yellow LED
5	-	11	K, green LED
6	RX-	12	A, green LED

7.5 LCD display MIPI DSI connector CN1

Figure 25. LCD display MIPI DSI connector CN1 (front view)

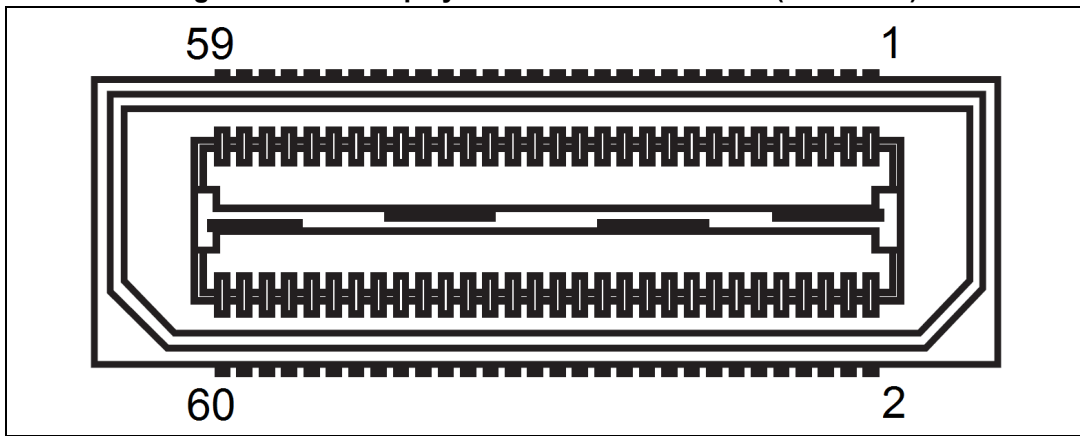


Table 8. LCD display MIPI DSI connector CN1

Pin No.	Description	Pin connection	Pin No.	Description	Pin connection
1	GND	-	2	-	-
3	DSI_CK_P	H12	4	LCD_INT	PI13
5	DSI_CK_N	H13	6	GND	-
7	GND	-	8	DSI_D2_P/GND	-
9	DSI_D0_P	J12	10	DSI_D2_N/GND	-
11	DSI_D0_N	J13	12	GND	-
13	GND	-	14	DSI_D3_P/GND	-
15	DSI_D1_P	F12	16	DSI_D3_N/GND	-
17	DSI_D1_N	F13	18	GND	-
19	GND	-	20	-	-
21	BLVDD(5 V)	-	22	-	-
23	BLVDD(5 V)	-	24	-	-
25	-	-	26	-	-
27	BLGND	-	28	-	-
29	BLGND	-	30	-	-
31	-	-	32	-	-
33	-	-	34	-	-
35	SCLK/MCLK	nc	36	3.3V	-
37	LRCLK	nc	38	-	-
39	SPDIF_I2S	PD11	40	I2C1_SDA	PB7
41	-	-	42	-	-
43	-	-	44	I2C1_SCL	PD12

Table 8. LCD display MIPI DSI connector CN1 (continued)

Pin No.	Description	Pin connection	Pin No.	Description	Pin connection
45	CEC_CLK	-	46	-	-
47	CEC	-	48	-	-
49	DSI_TE	PJ2	50	-	-
51	-	-	52	-	-
53	BL_CTRL	PI14	54	-	-
55	-	-	56	-	-
57	DSI_RESET	PJ15	58	-	-
59	-	-	60	1V8	-

7.6 microSD™ connector CN5

Figure 26. microSD™ connector CN5 (front view)

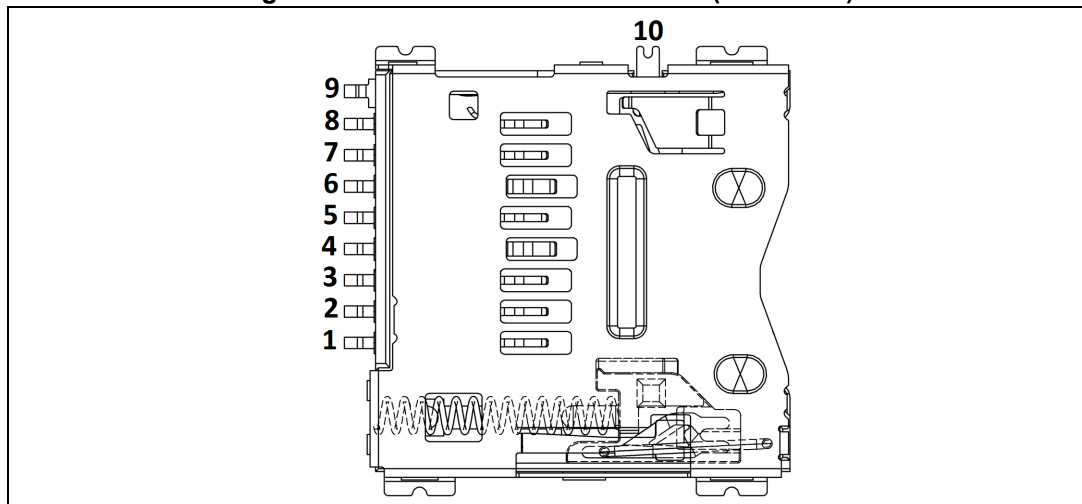


Table 9. microSD™ connector CN5

Pin number	Description	Pin number	Description
1	SDMMC2_D2	6	Vss/GND
2	SDMMC2_D3	7	SDMMC2_D0
3	SDMMC2_CMD (PD2)	8	SDMMC2_D1
4	+3.3V	9	GND
5	SDMMC2_CK (PC12)	10	microSD™ card_detect

7.7 ST-LINK/V2-1 USB micro-B connector CN16

The USB connector CN16 is used to connect the embedded ST-LINK/V2-1 to a PC for programming and debugging purposes.

Figure 27. USB micro-B connector CN16 (front view)

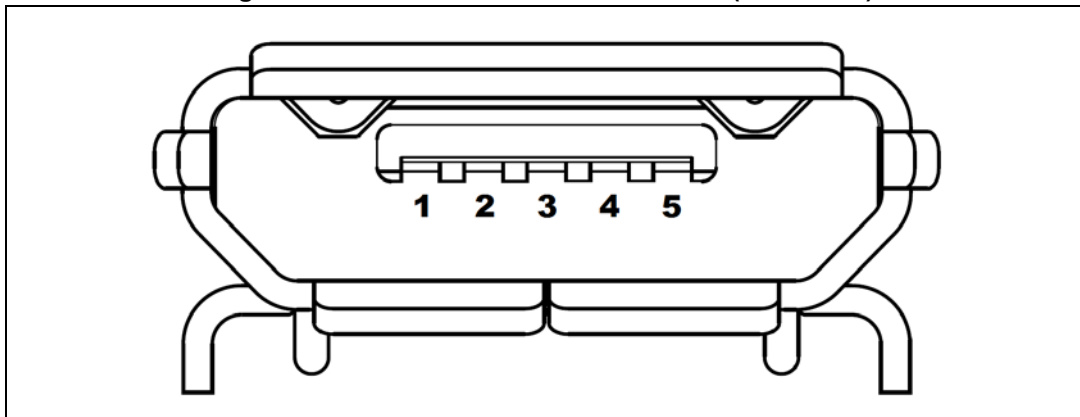


Table 10. USB micro-B connector CN16

Pin number	Description	Pin number	Description
1	VBUS (power)	4	GND
2	DM	5, 6	Shield
3	DP	-	-

7.8 Audio stereo speakers JP2 and JP3

The stereo audio outputs JP2 and JP3 are available to support the stereo speakers (left and right respectively).

7.9 Audio line output connector jack CN7

A 3.5-mm stereo audio jack output CN10 is available to support the headphone.

7.10 Audio line input connector jack CN6

A 3.5-mm stereo audio jack input CN6 is available to support the audio line input.

7.11 SPDIF input RCA connector CN12

Table 11. SPDIF input RCA connector CN12

Pin number	Description	Pin number	Description
1	SPDIF_RX	2	GND
2	GND	-	-

7.12 SPDIF output RCA connector CN8

Table 12. SPDIF output RCA connector CN8

Pin number	Description	Pin number	Description
1	SPDIF_TX	2	GND
2	GND	-	-

Appendix A 32F769IDISCOVERY I/O assignment

Table 13. 32F769IDISCOVERY I/O assignment

Pin No.	Pin name	Signal or label	Comment
A1	PE4	SAI1_FS_A	-
A2	PE3	SAI1_SD_B	-
A3	PE2	QUADSPI_BK1_IO2	-
A4	PG14	ETH_TXD1	-
A5	PE1	FMC_NBL1	-
A6	PE0	FMC_NBL0	-
A7	PB8	I2C1_SCL	ARD_D15/SCL
A8	PB5	USB_OTG_HS_ULPI_D7	-
A9	PB4	SDMMC2_D3	-
A10	PB3	SDMMC2_D2	-
A11	PD7	SDMMC2_CMD	-
A12	PC12	UART5_TX	WIFI_RX
A13	PA15	CEC	CEC
A14	PA14	SYS_JTCK-SWCLK	SWCLK
A15	PA13	SYS_JTMS-SWDIO	SWDIO
B1	PE5	SAI1_SCK_A	-
B2	PE6	SAI1_SD_A	-
B3	PG13	ETH_TXD0	-
B4	PB9	I2C1_SDA	ARD_D14/SDA
B5	PB7	I2C4_SDA	-
B6	PB6	QUADSPI_BK1_NCS	-
B7	PG15	FMC_SDNCAS	-
B8	PG11	ETH_TX_EN	-
B9	PJ13	GPIO_Input	LD_USER1
B10	PJ12	GPIO_Input	Audio_INT
B11	PD6	SDMMC2_CK	-
B12	PD0	FMC_D2	-
B13	PC11	DFSDM_DATIN5	-
B14	PC10	QUADSPI_BK1_IO1	-
B15	PA12	SPI2_SCK	ARD_D13/SCK
C1	VBAT	-	-
C2	PI8	GPIO_Input	NC4

Table 13. 32F769IDISCOVERY I/O assignment (continued)

Pin No.	Pin name	Signal or label	Comment
C3	PI4	FMC_NBL2	-
C4	PK7	GPIO_Input	NC3
C5	PK6	GPIO_Input	NC2
C6	PK5	GPIO_Input	NC1
C7	PG12	SPDIFRX_IN1	-
C8	PG10	SDMMC2_D1	-
C9	PJ14	GPIO_Input	WIFI_RST
C10	PD5	GPIO_Input	RMII_RXER
C11	PD3	DFSDM_CKOUT	-
C12	PD1	FMC_D3	-
C13	PI3	FMC_D27	-
C14	PI2	FMC_D26	-
C15	PA11	SPI2_NSS	ARD_D10/PWM/CS
D1	PC13	RTC_OUT_ALARM	NC6
D2	PF0	FMC_A0	-
D3	PI5	FMC_NBL3	-
D4	PI7	FMC_D29	-
D5	PI10	FMC_D31	-
D6	PI6	FMC_D28	-
D7	PK4	GPIO_Input	NC8
D8	PK3	GPIO_Input	NC7
D9	PG9	SDMMC2_D0	-
D10	PJ15	GPIO_Input	DSI_RESET
D11	PD4	GPIO_Input	OTG_HS_OverCurrent
D12	PD2	UART5_RX	WIFI_TX
D13	PH15	FMC_D23	-
D14	PI1	FMC_D25	-
D15	PA10	USART1_RX	VCP_RX
E1	PC14/OSC32_IN	RCC_OSC32_IN	-
E2	PF1	FMC_A1	-
E3	PI12	GPIO_Input	NC5
E4	PI9	FMC_D30	-
E5	PDR_ON	-	-
E6	BOOT0	-	-
E7	VDD	-	-

Table 13. 32F769IDISCOVERY I/O assignment (continued)

Pin No.	Pin name	Signal or label	Comment
E8	VDD	-	-
E9	VDD	-	-
E10	VDD	-	-
E11	VCAP_2	-	-
E12	PH13	FMC_D21	-
E13	PH14	FMC_D22	-
E14	PI0	FMC_D24	-
E15	PA9	USART1_TX	VCP_TX
F1	PC15/OSC32_OUT	RCC_OSC32_OUT	-
F2	VSS	-	-
F3	PI11	USB_OTG_HS_ULPI_DIR	-
F4	VDD	-	-
F5	VDD	-	-
F6	VSS	-	-
F7	VSS	-	-
F8	VSS	-	-
F9	VSS	-	-
F10	VSS	-	-
F11	VDD	-	-
F12	DSIHOST_D1P	DSIHOST_D1P	-
F13	DSIHOST_D1N	DSIHOST_D1N	-
F14	PC9	QUADSPI_BK1_IO0	-
F15	PA8	RCC_MCO_1	CEC_CLK
G1	PH0/OSC_IN	RCC_OSC_IN	-
G2	PF2	FMC_A2	-
G3	PI13	GPIO_Input	LCD_INT
G4	PI15	GPIO_Input	uSD_Detect
G5	VDD	-	-
G6	VSS	-	-
G10	VSS	-	-
G11	VDDUSB	-	-
G12	VSSDSI	-	-
G13	VDD	-	-
G14	PC8	TIM3_CH3	ARD_D5/PWM
G15	PC7	USART6_RX	ARD_D0/RX

Table 13. 32F769IDISCOVERY I/O assignment (continued)

Pin No.	Pin name	Signal or label	Comment
H1	PH1/OSC_OUT	RCC_OSC_OUT	-
H2	PF3	FMC_A3	-
H3	PI14	GPIO_Input	LCD_BL_CTRL
H4	PH4	USB_OTG_HS_ULPI_NXT	-
H5	VDD	-	-
H6	VSS	-	-
H10	VSS	-	-
H11	VDDDSI	-	-
H12	DSIHOST_CKP	DSIHOST_CKP	-
H13	DSIHOST_CKN	DSIHOST_CKN	-
H14	PG8	FMC_SDCLK	-
H15	PC6	USART6_TX	ARD_D1/TX
J1	NRST	-	-
J2	PF4	FMC_A4	-
J3	PH5	FMC_SDNWE	-
J4	PH3	FMC_SDNE0	-
J5	VDD	-	-
J6	VSS	-	-
J10	VSS	-	-
J11	VDD	-	-
J12	DSIHOST_D0P	DSIHOST_D0P	-
J13	DSIHOST_D0N	DSIHOST_D0N	-
J14	PG7	SAI1_MCLK_A	-
J15	PG6	GPIO_Input	EXT_SDA
K1	PF7	TIM11_CH1	ARD_D6/PWM
K2	PF6	TIM10_CH1	ARD_D3/PWM
K3	PF5	FMC_A5	-
K4	PH2	FMC_SDCKE0	-
K5	VDD	-	-
K6	VSS	-	-
K7	VSS	-	-
K8	VSS	-	-
K9	VSS	-	-
K10	VSS	-	-
K11	VDD	-	-

Table 13. 32F769IDISCOVERY I/O assignment (continued)

Pin No.	Pin name	Signal or label	Comment
K12	VCAPDSI	-	-
K13	PD15	FMC_D1	-
K14	PB13	USB_OTG_HS_ULPI_D6	-
K15	PD10	FMC_D15	-
L1	PF10	ADC3_IN8	ARD_A3
L2	PF9	ADC3_IN7	ARD_A5
L3	PF8	ADC3_IN6	ARD_A4
L4	PC3	DFSDM_DATIN1	-
L5	BYPASS_REG	-	-
L6	VSS	-	-
L7	VDD	-	-
L8	VDD	-	-
L9	VDD	-	-
L10	VDD	-	-
L11	VCAP_1	-	-
L12	PD14	FMC_D0	-
L13	PB12	USB_OTG_HS_ULPI_D5	-
L14	PD9	FMC_D14	-
L15	PD8	FMC_D13	-
M1	VSSA	-	-
M2	PC0	USB_OTG_HS_ULPI_STP	-
M3	PC1	ETH_MDC	-
M4	PC2	ADC1_IN12	ARD_A2
M5	PB2	QUADSPI_CLK	-
M6	PF12	FMC_A6	-
M7	PG1	FMC_A11	-
M8	PF15	FMC_A9	-
M9	PJ4	GPIO_Input	ARD_D8
M10	PD12	I2C4_SCL	-
M11	PD13	QUADSPI_BK1_IO3	-
M12	PG3	GPIO_Input	EXT_SCL
M13	PG2	FMC_A12	-
M14	PJ5	GPIO_Input	LD_USER2
M15	PH12	FMC_D20	-
N1	VREF-	-	-

Table 13. 32F769IDISCOVERY I/O assignment (continued)

Pin No.	Pin name	Signal or label	Comment
N2	PA1	ETH_REF_CLK	-
N3	PA0/WKUP	SYS_WKUP0	B_USER
N4	PA4	ADC1_IN4	ARD_A1
N5	PC4	ETH_RXD0	-
N6	PF13	FMC_A7	-
N7	PG0	FMC_A10	-
N8	PJ3	GPIO_Input	ARD_D7
N9	PE8	FMC_D5	-
N10	PD11	SAI2_SD_A	-
N11	PG5	FMC_BA1	-
N12	PG4	FMC_BA0	-
N13	PH7	GPIO_Input	EXT_RST
N14	PH9	FMC_D17	-
N15	PH11	FMC_D19	-
P1	VREF+	-	-
P2	PA2	ETH_MDIO	-
P3	PA6	ADC1_IN6	ARD_A0
P4	PA5	USB_OTG_HS_ULPI_CK	-
P5	PC5	ETH_RXD1	-
P6	PF14	FMC_A8	-
P7	PJ2	DSIHOST_TE	DSIHOST_TE
P8	PF11	FMC_SDNRAS	-
P9	PE9	FMC_D6	-
P10	PE11	FMC_D8	-
P11	PE14	FMC_D11	-
P12	PB10	USB_OTG_HS_ULPI_D3	-
P13	PH6	TIM12_CH1	ARD_D9/PWM
P14	PH8	FMC_D16	-
P15	PH10	FMC_D18	-
R1	VDDA	-	-
R2	PA3	USB_OTG_HS_ULPI_D0	-
R3	PA7	ETH_CRS_DV	-
R4	PB1	USB_OTG_HS_ULPI_D2	-
R5	PB0	USB_OTG_HS_ULPI_D1	-
R6	PJ0	GPIO_Input	ARD_D4

Table 13. 32F769IDISCOVERY I/O assignment (continued)

Pin No.	Pin name	Signal or label	Comment
R7	PJ1	GPIO_Input	ARD_D2
R8	PE7	FMC_D4	-
R9	PE10	FMC_D7	-
R10	PE12	FMC_D9	-
R11	PE15	FMC_D12	-
R12	PE13	FMC_D10	-
R13	PB11	USB_OTG_HS_ULPI_D4	-
R14	PB14	SPI2_MISO	ARD_D12/MISO
R15	PB15	SPI2_MOSI	ARD_D11/PWM/MOSI

Appendix B Schematics

This section provides design schematics for the 32F769IDISCOVERY Discovery board features and optional accessories:

- MB1225 (32F769IDISCOVERY Discovery board)
 - 32F769IDISCOVERY Discovery Interconnexion ([Figure 28](#))
 - ST-LINK/V2-1 with support of SWD only ([Figure 29](#))
 - STM32F769NIH6 connexions ([Figure 30](#))
 - Audio Codec WOLFSON and Audio connectors ([Figure 31](#))
 - SDRAM (MICRON) ([Figure 32](#))
 - Quad-SPI Flash memory (MACRONIX) ([Figure 33](#))
 - Arduino™ UNO connectors ([Figure 34](#))
 - USB OTG HS PHY with micro A-B connector ([Figure 35](#))
 - Ethernet PHY with RJ45 connector ([Figure 36](#))
 - Power Over Ethernet 3W ([Figure 37](#))
 - MIPI connector for DSI LCD and HDMI boards ([Figure 38](#))
 - microSD™, Wi-Fi®, LEDs and push-button ([Figure 39](#))
- MB1166 (4-inch DSI LCD board)
 - 4-inch DSI LCD board ([Figure 40](#))
- MB1232 (DSI to HDMI adapter)
 - DSI to HDMI adapter ([Figure 41](#))
- MB1233 (DSI connector adapter)
 - DSI connector adapter ([Figure 42](#))

Figure 28. 32F769IDISCOVERY Discovery board interconnections

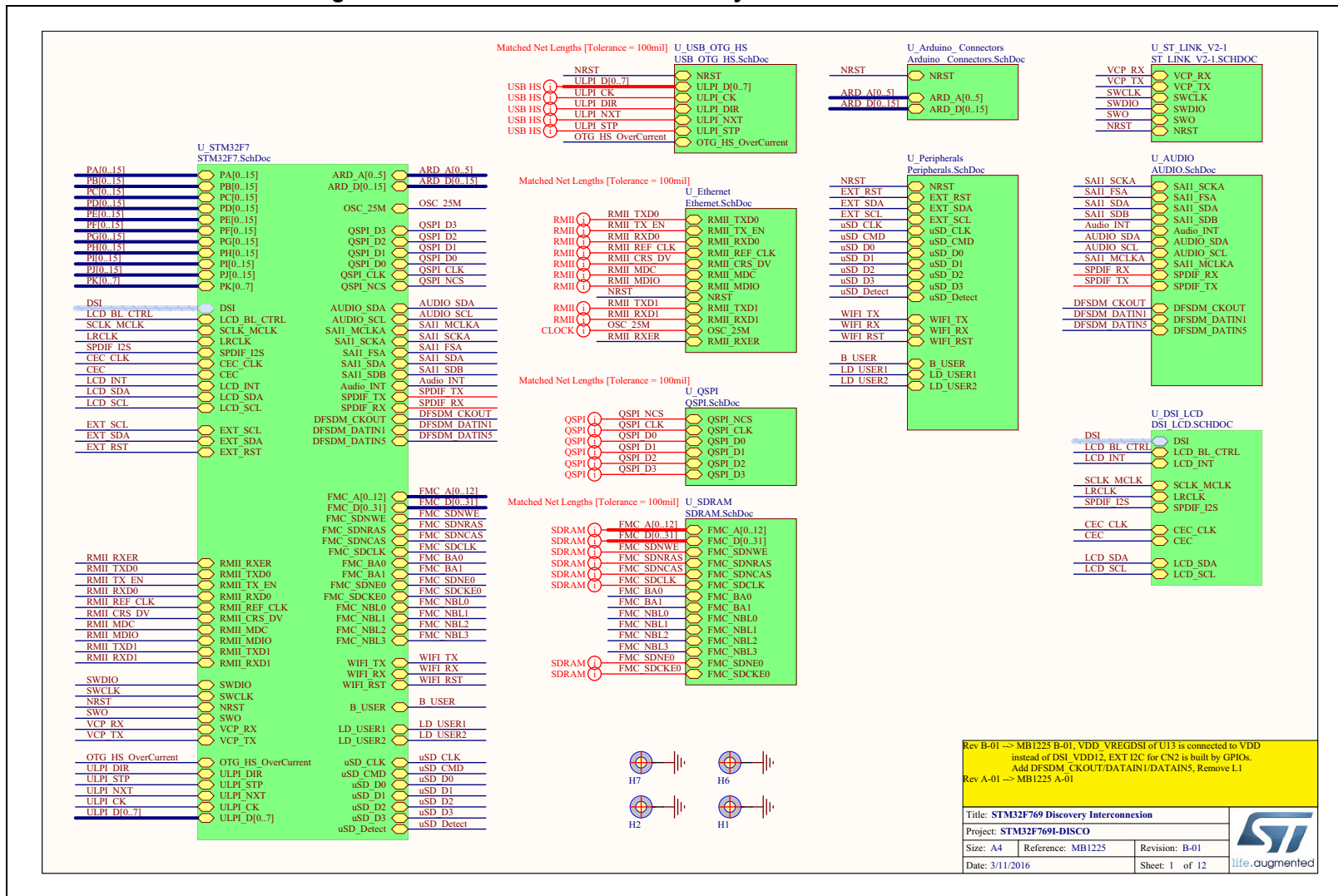
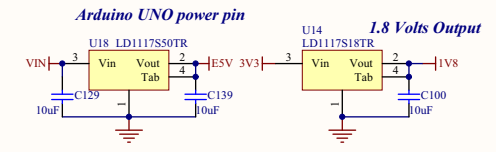
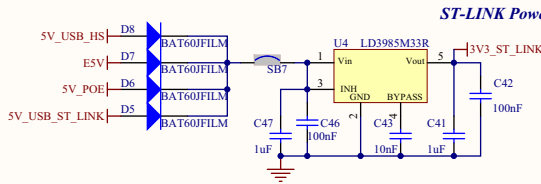
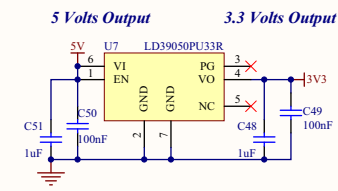
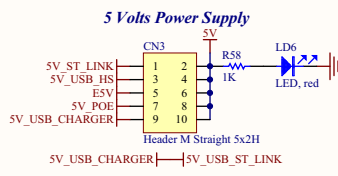
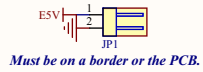
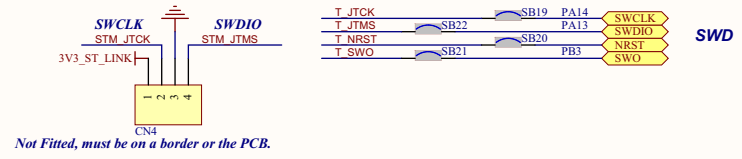
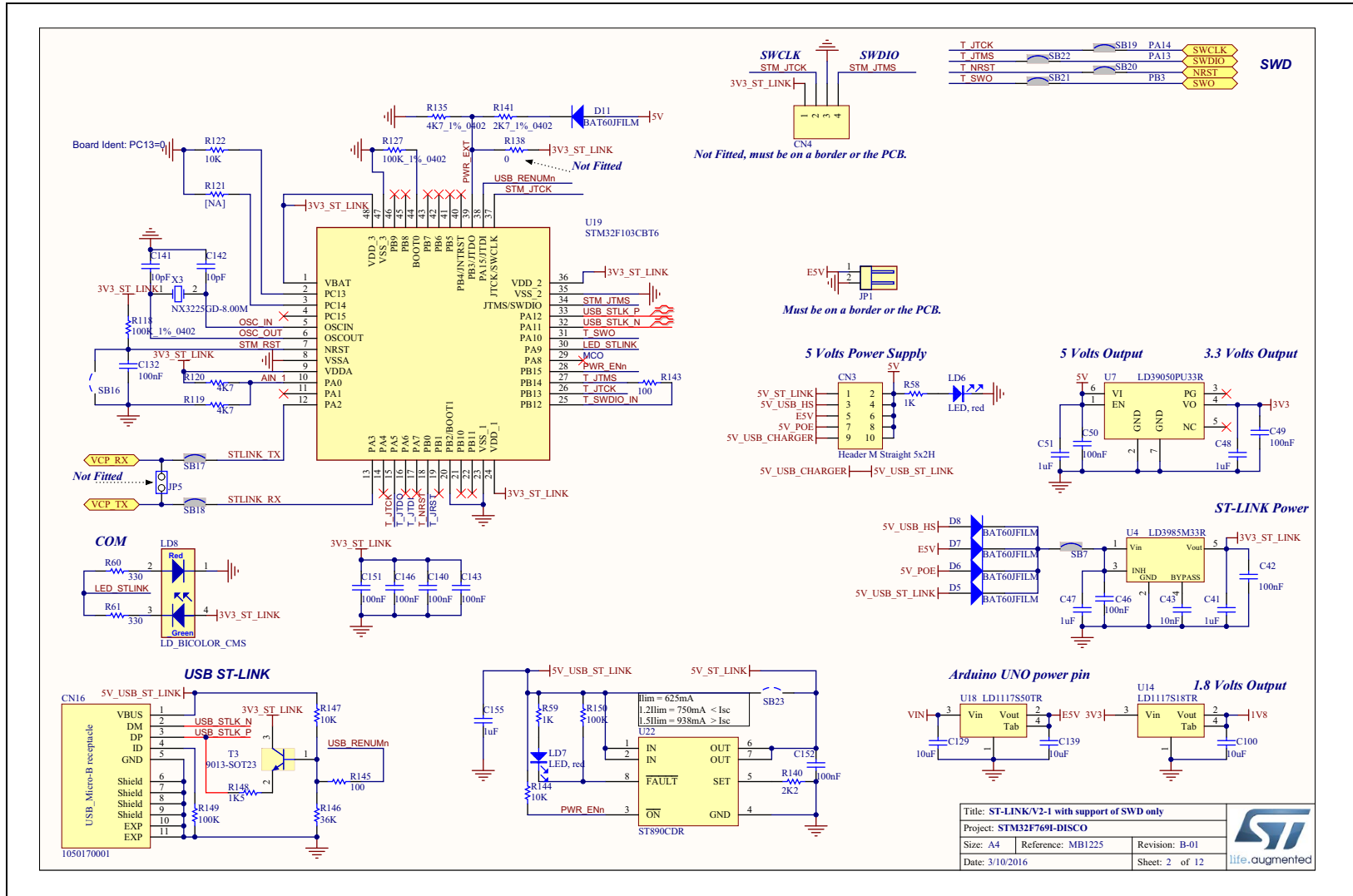




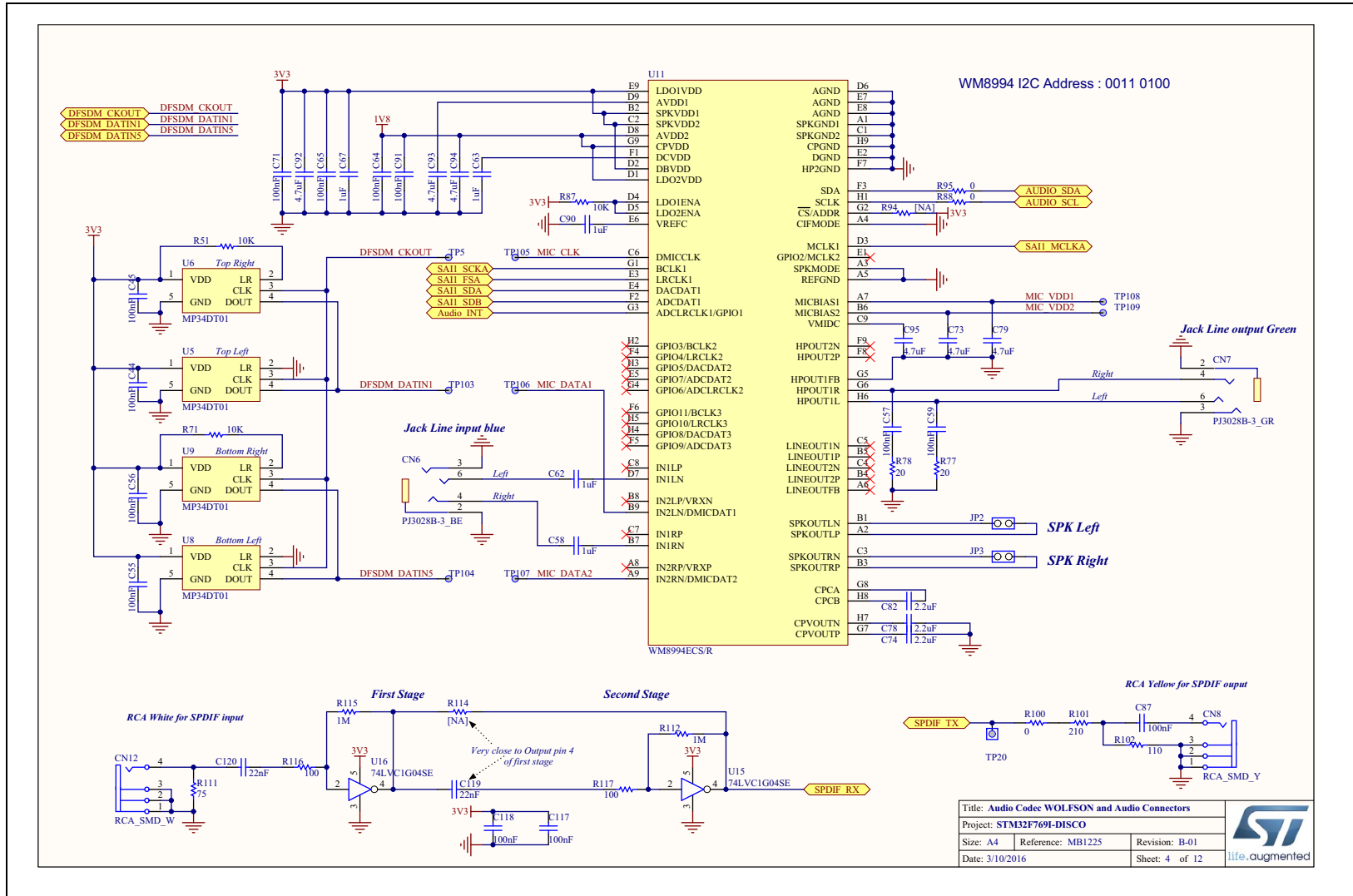
Figure 29. ST-LINK/V2-1 with support of SWD only



Title: ST-LINK/V2-1 with support of SWD only			
Project: STM32F69L-DISCO			
Size: A4	Reference: MB1225	Revision: B-01	
Date: 3/10/2016	Sheet: 2 of 12		



Figure 31. Audio codec WOLFSON and audio connectors



Title: Audio Codec WOLFSON and Audio Connectors		
Project: STM32F7691-DISCO		
Size: A4	Reference: MB1225	Revision: B-01
Date: 3/10/2016	Sheet: 4 of 12	life.augmented



Figure 32. SDRAM (MICRON)

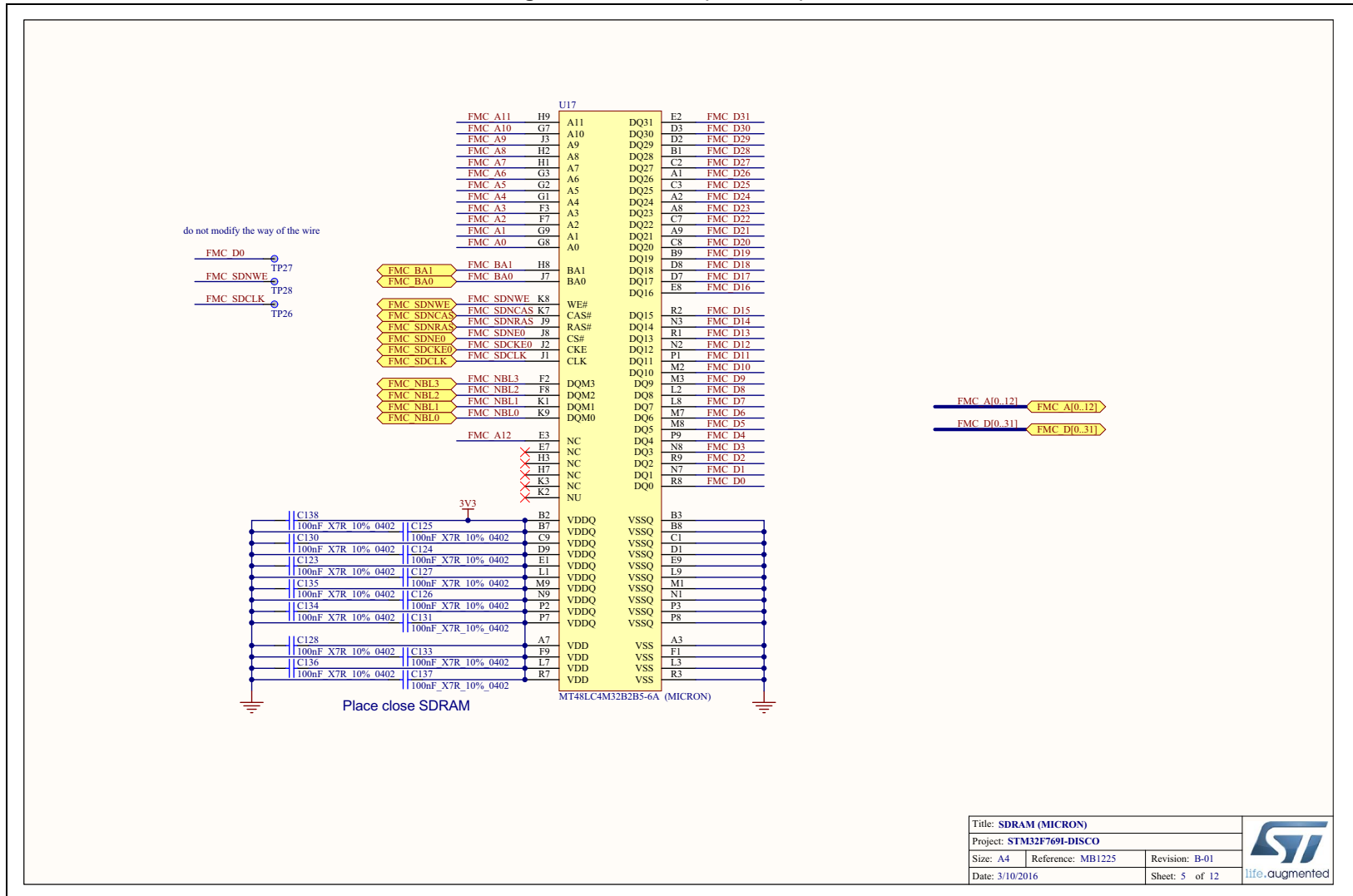




Figure 33. Quad-SPI Flash memory (MACRONIX mounted)

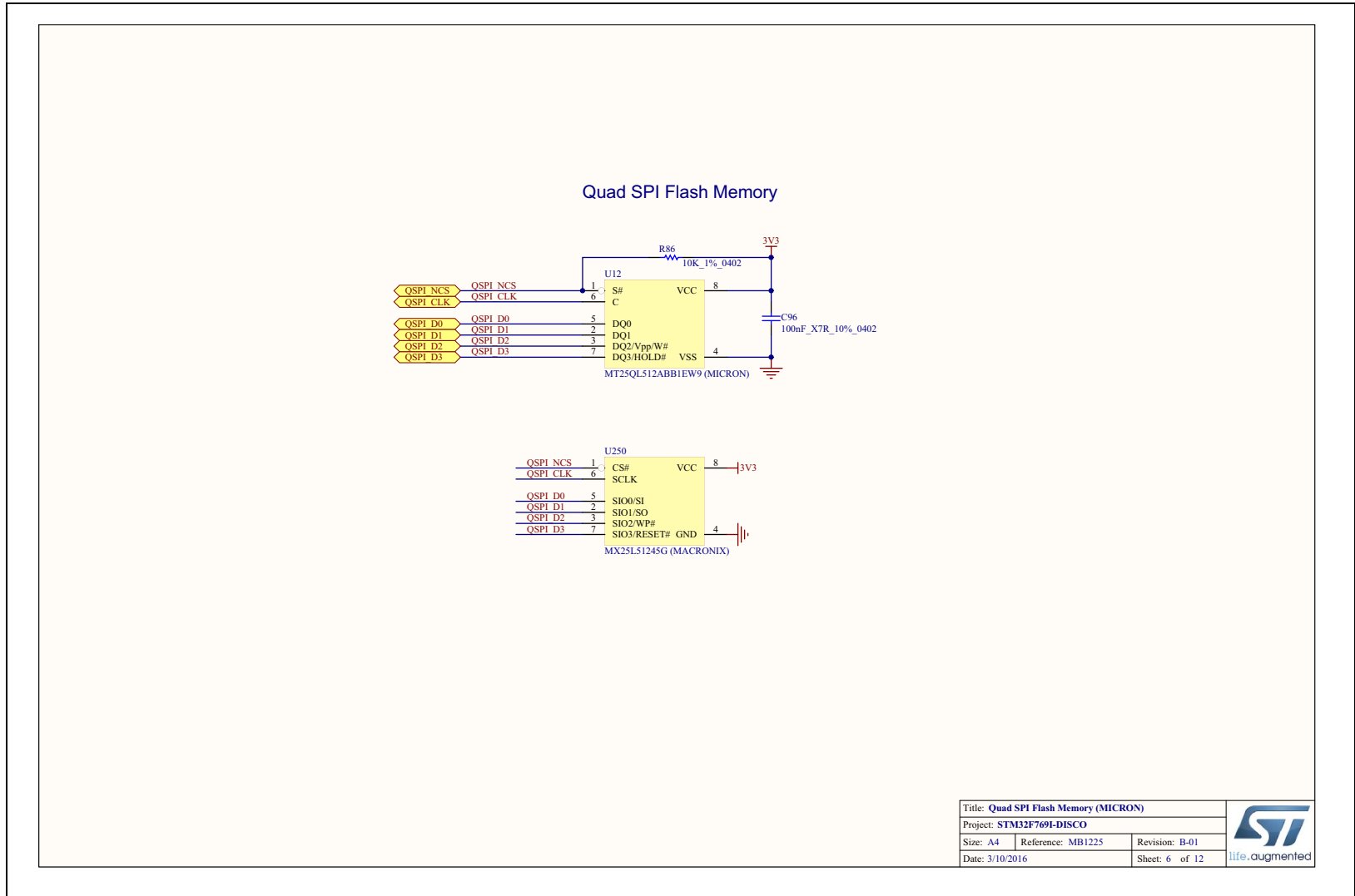


Figure 34. Arduino™ UNO connectors

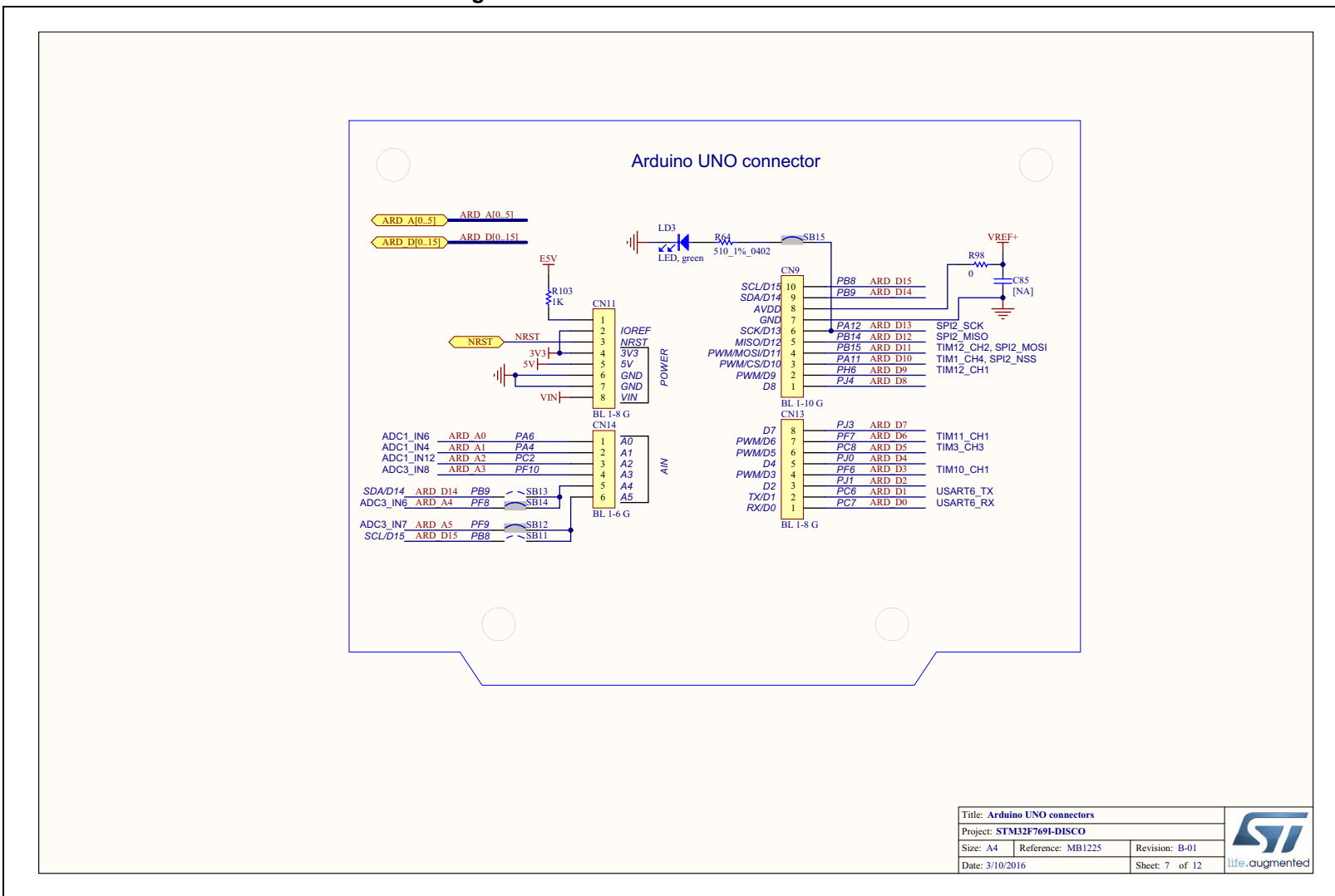




Figure 35. USB OTG HS PHY with micro A-B connector

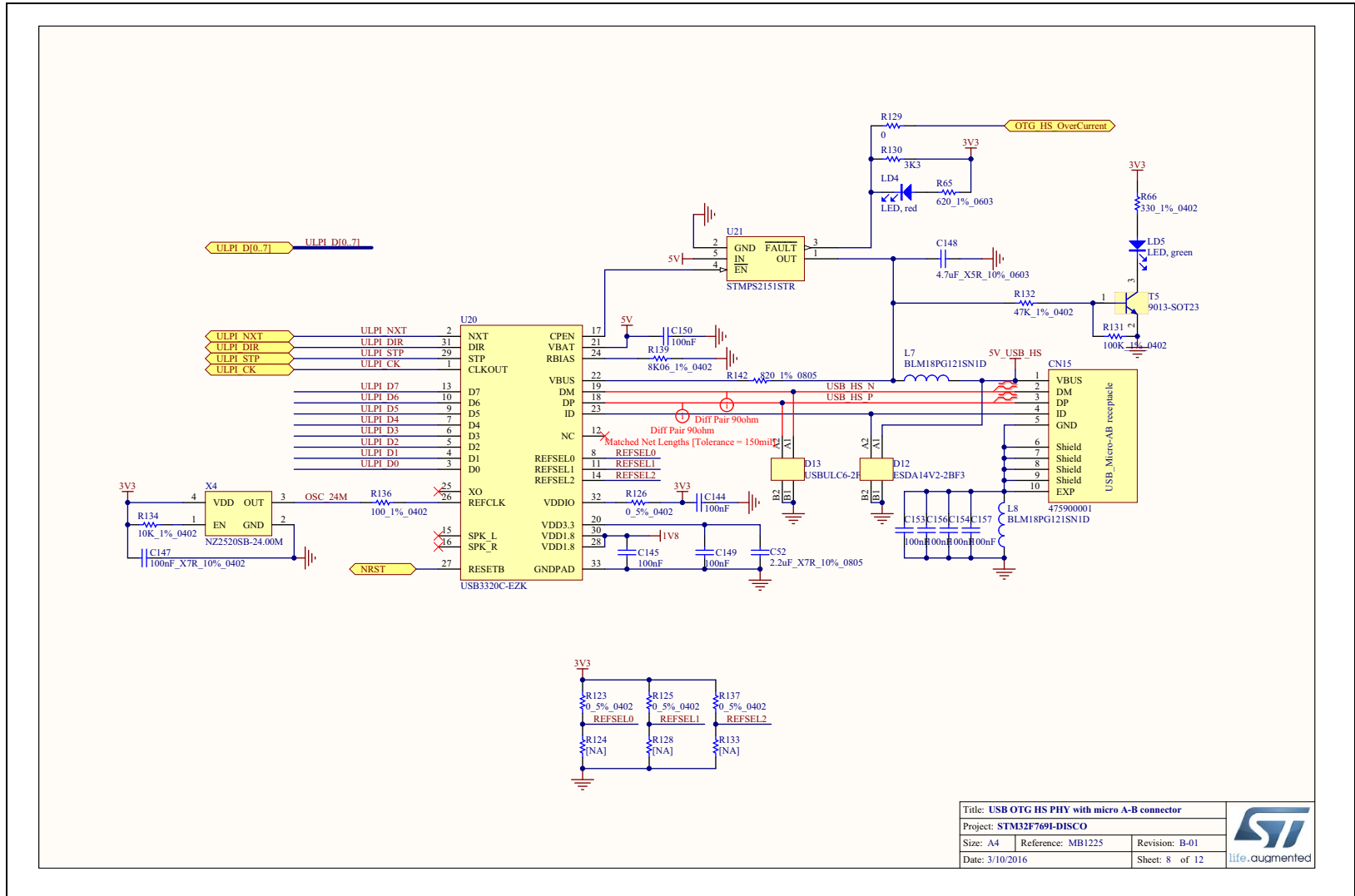


Figure 36. Ethernet PHY with RJ45 connector

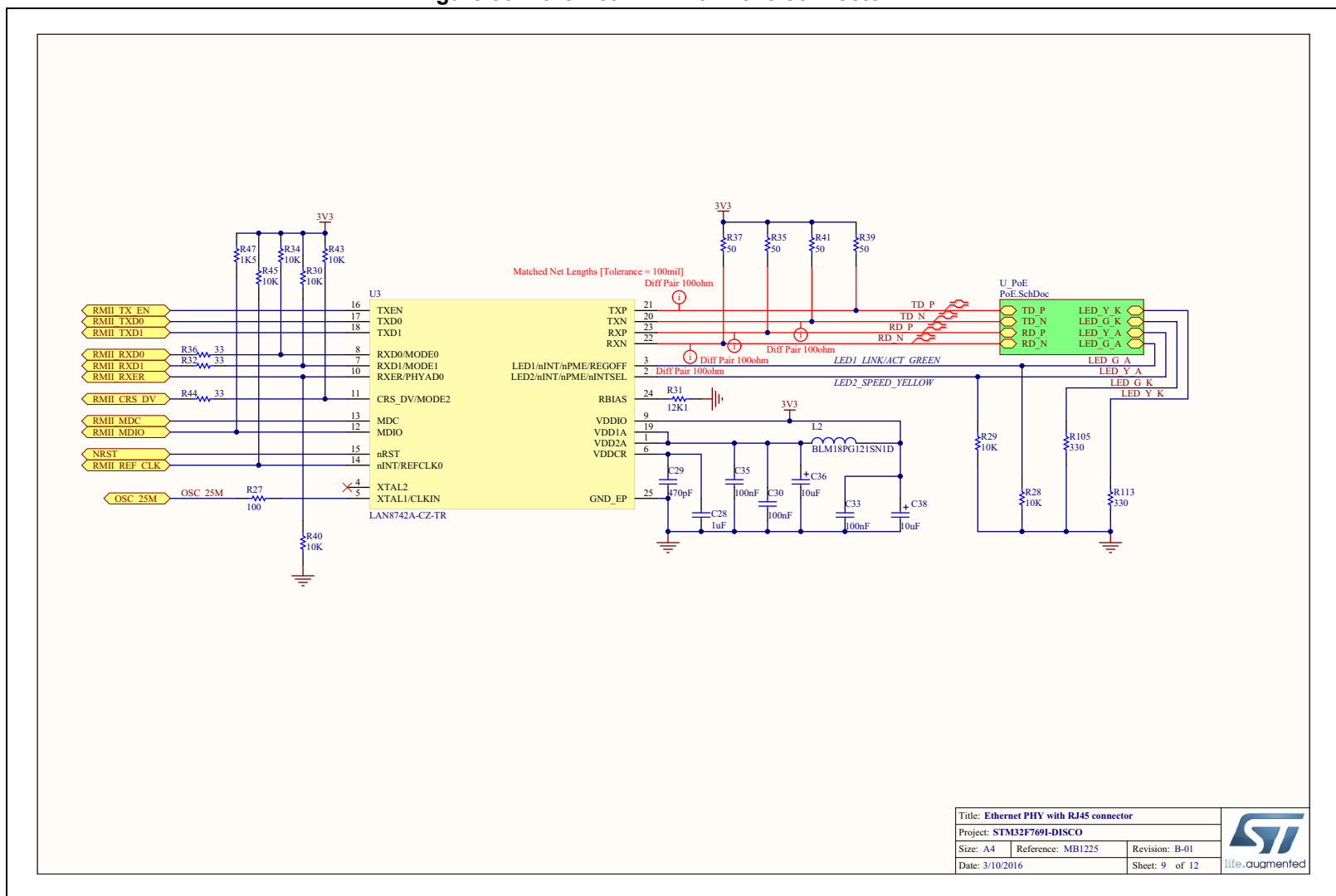


Figure 38. MIPI connector for DSI LCD and HDMI boards

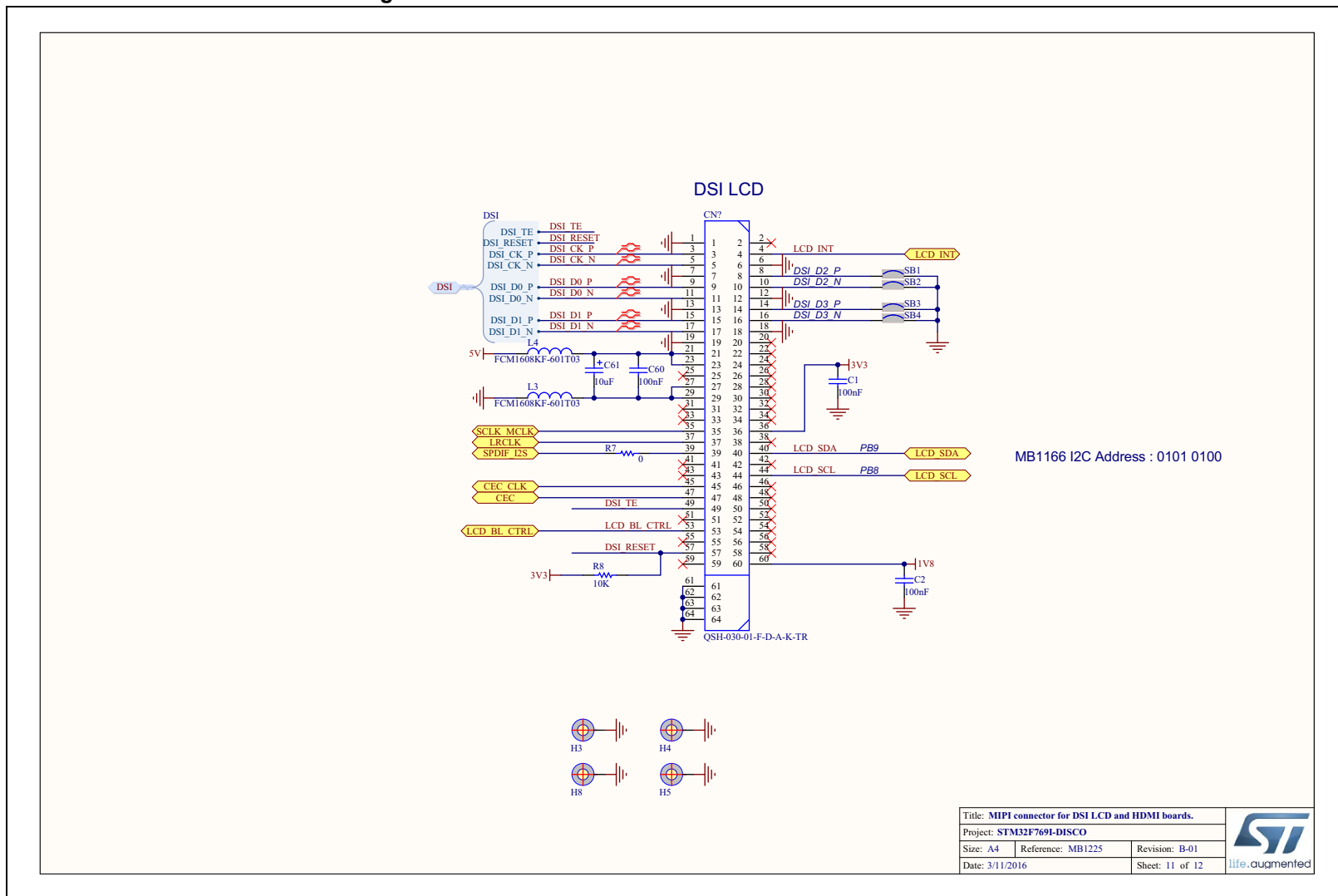




Figure 39. microSD™, Wi-Fi®, LEDs and push-button

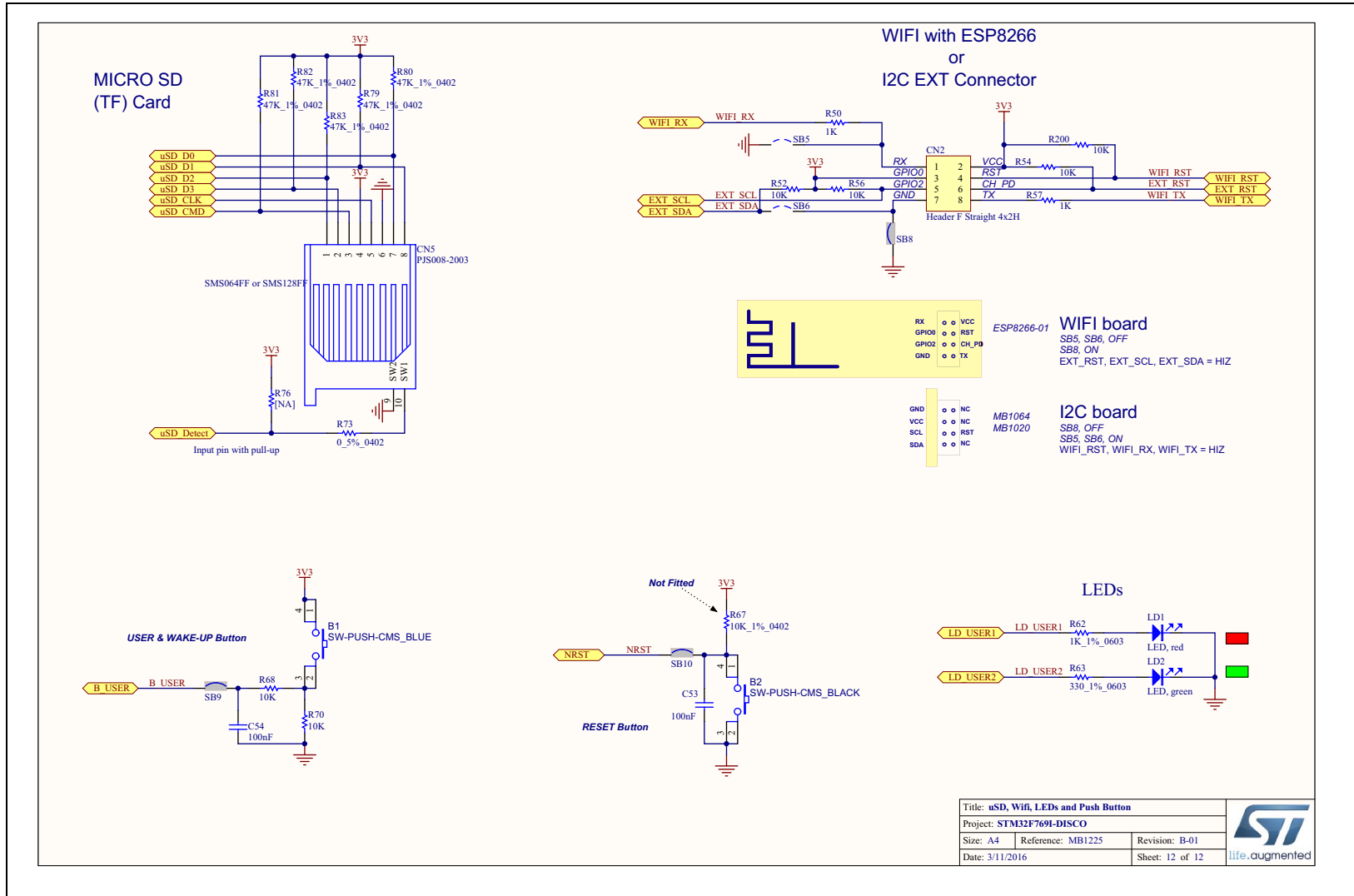


Figure 40. 4-inch DSI LCD board

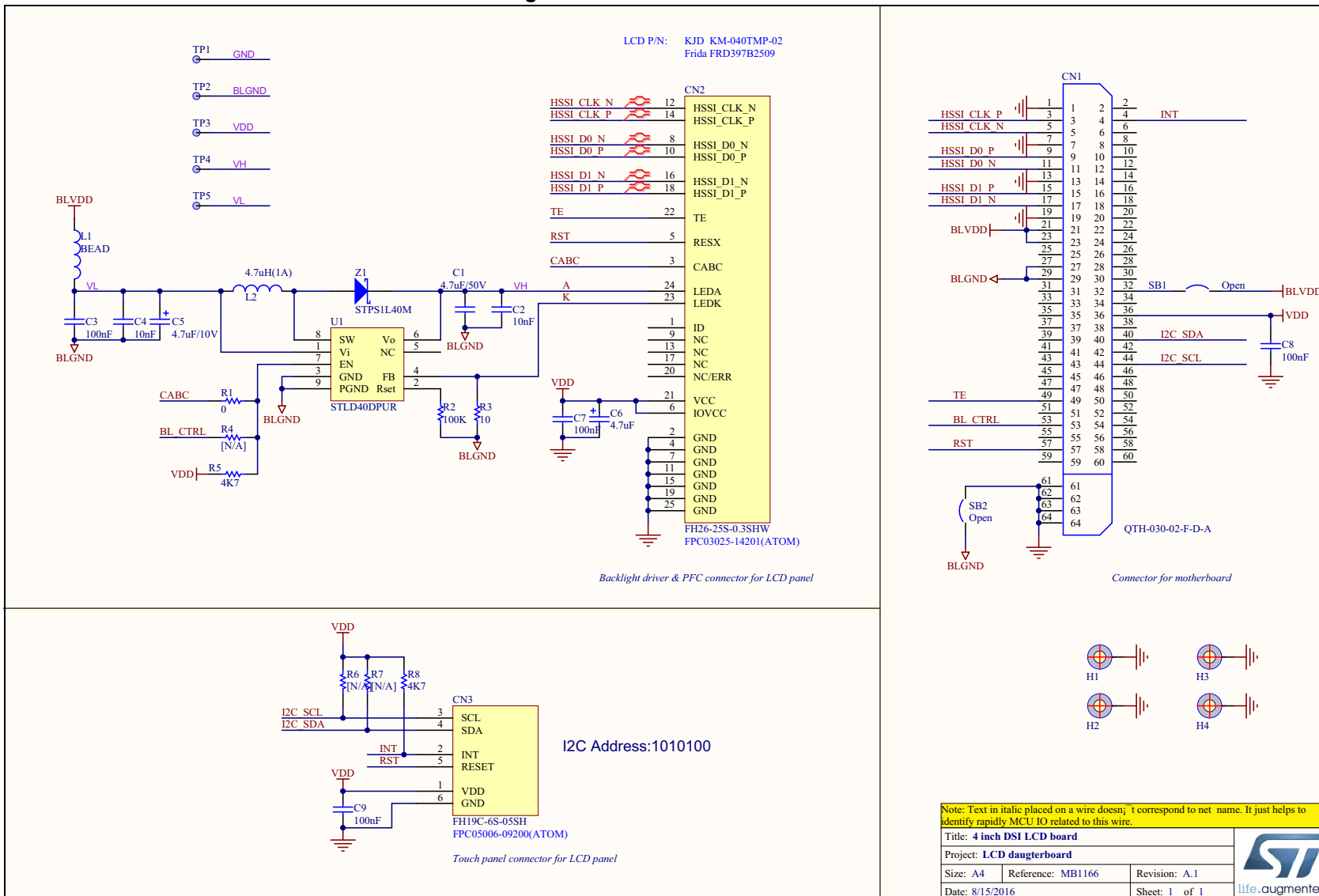




Figure 41. DSI to HDMI adapter

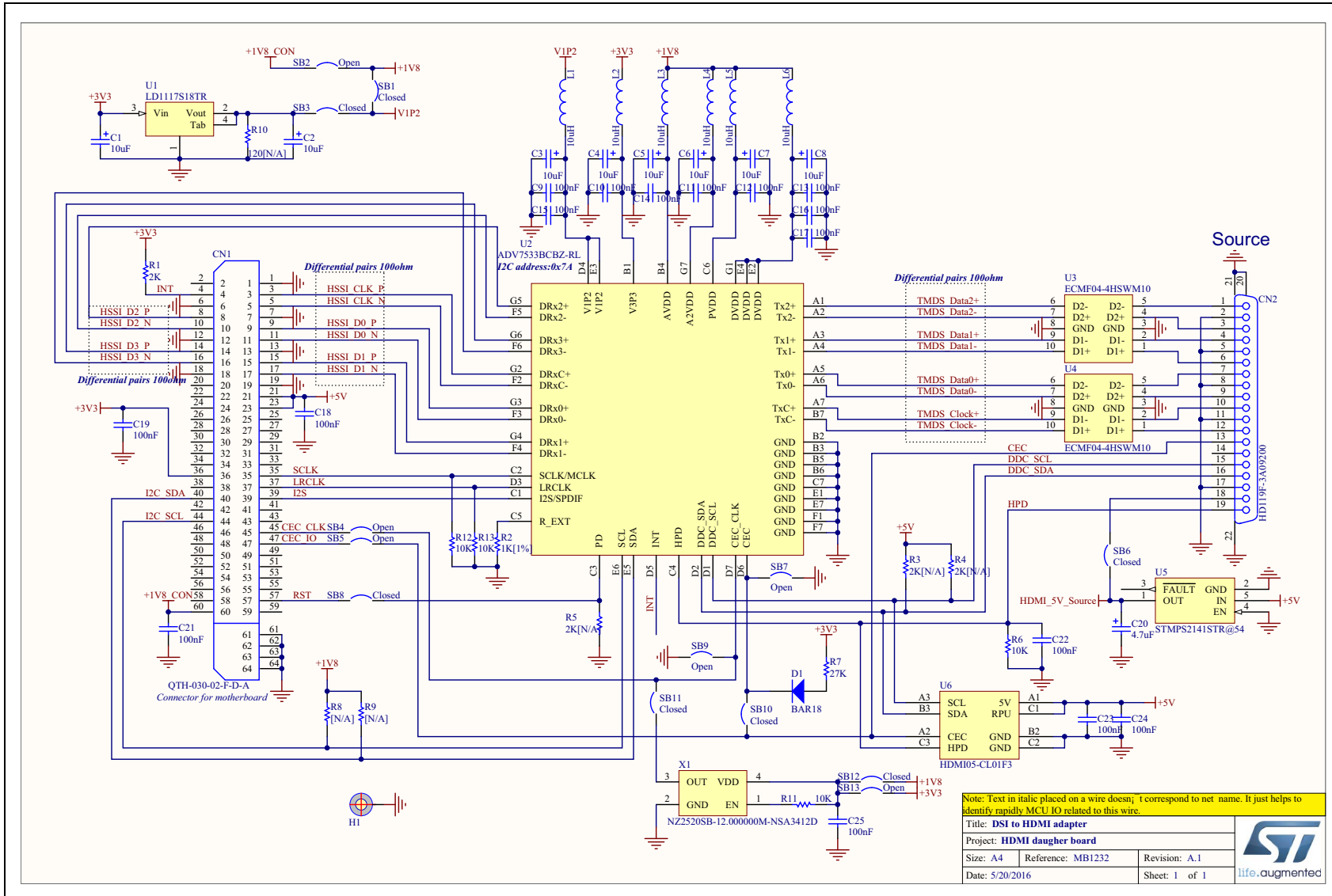
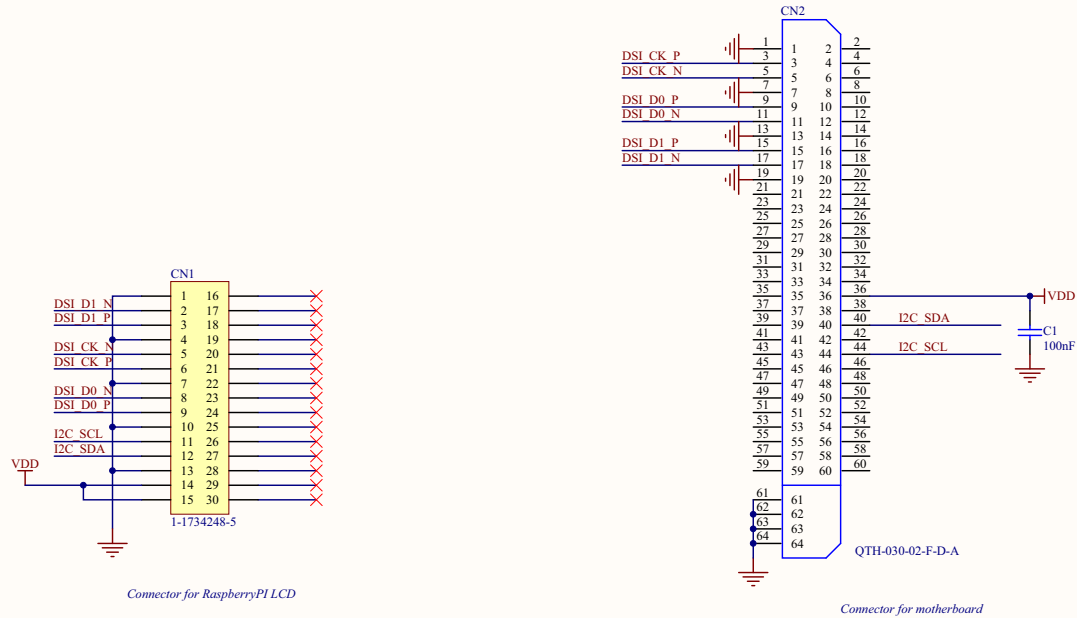


Figure 42. DSI connector adapter



Title: Overview		
Project: RaspberryPI Adapter		
Size: A4	Reference: MB1233	Revision: A.1
Date: 5/23/2016	Sheet: 1 of 1	

Appendix C Federal Communications Commission (FCC) and Industry Canada (IC) Compliance Statements

C.1 FCC Compliance Statement

C.1.1 Part 15.19

This device complies with Part 15 of the FCC Rules. Operation is subject to the following two conditions: (1) this device may not cause harmful interference, and (2) this device must accept any interference received, including interference that may cause undesired operation.

C.1.2 Part 15.105

This equipment has been tested and found to comply with the limits for a Class A digital device, pursuant to part 15 of the FCC Rules. These limits are designed to provide reasonable protection against harmful interference when the equipment is operated in a commercial environment. This equipment generates, uses, and can radiate radio frequency energy and, if not installed and used in accordance with the instruction manual, may cause harmful interference to radio communications. Operation of this equipment in a residential area is likely to cause harmful interference in which case the user will be required to correct the interference at his own expense.

C.1.3 Part 15.21

Any changes or modifications to this equipment not expressly approved by STMicroelectronics may cause harmful interference and void the user's authority to operate this equipment.

C.2 IC Compliance Statement

7.12.1 Compliance Statement

Industry Canada ICES-003 Compliance Label: *CAN ICES-3 (A)/NMB-3(A)*

7.12.2 Déclaration de conformité

Étiquette de conformité à la NMB-003 d'Industrie Canada: *CAN ICES-3 (B)/NMB-3(B)*

Revision history

Table 14. Document revision history

Date	Revision	Changes
20-May-2016	1	Initial release.
03-Oct-2016	2	<p>Updates to introduce optional display accessories: Section 1: Features and Section 4: Ordering information Section 6.4: Power supply</p> <p>New sections added: Section 6.18: Adapter board from on-board DSI to HDMI (optional accessory display) Section 6.19: Adapter board from on-board DSI to external DSI (optional accessory display)</p> <p>New figures added: Figure 3: 32F769IDISCOVERY board (bottom view), Figure 15: 4-inch WVGA TFT DSI LCD daughterboard, Figure 16: DSI to HDMI adapter board, Figure 17: DSI to HDMI adapter board, Figure 18: On-board DSI to external DSI, Figure 19: On-board DSI to external DSI, Figure 20: Wi-Fi module (ESP8266-01), Figure 39: 4-inch DSI LCD board, Figure 40: DSI to HDMI adapter, Figure 41: DSI connector adapter.</p>
13-Apr-2018	3	<p>Updated the former order code STM32F769I-DISCO1 to STM32F769I-DISC1 across the whole document. Added note about U device suffix in Chapter 3: Product marking. Corrected PI3 to PJ3 in Table 5: Arduino™ connectors (CN11, CN14, CN13 and CN9). Corrected USART3 to USART1 in chapter Section 6.15: Virtual COM port. Added missing SDRAM schematic as Figure 32: SDRAM (MICRON). Attributed Quad-SPI Flash memory to MACRONIX.</p>

IMPORTANT NOTICE – PLEASE READ CAREFULLY

STMicroelectronics NV and its subsidiaries ("ST") reserve the right to make changes, corrections, enhancements, modifications, and improvements to ST products and/or to this document at any time without notice. Purchasers should obtain the latest relevant information on ST products before placing orders. ST products are sold pursuant to ST's terms and conditions of sale in place at the time of order acknowledgement.

Purchasers are solely responsible for the choice, selection, and use of ST products and ST assumes no liability for application assistance or the design of Purchasers' products.

No license, express or implied, to any intellectual property right is granted by ST herein.

Resale of ST products with provisions different from the information set forth herein shall void any warranty granted by ST for such product.

ST and the ST logo are trademarks of ST. All other product or service names are the property of their respective owners.

Information in this document supersedes and replaces information previously supplied in any prior versions of this document.

© 2018 STMicroelectronics – All rights reserved