

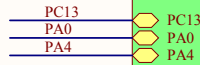
1

2

3

4

IDD_CNT_EN
IDD_WAKEUP
IDD_Measurement



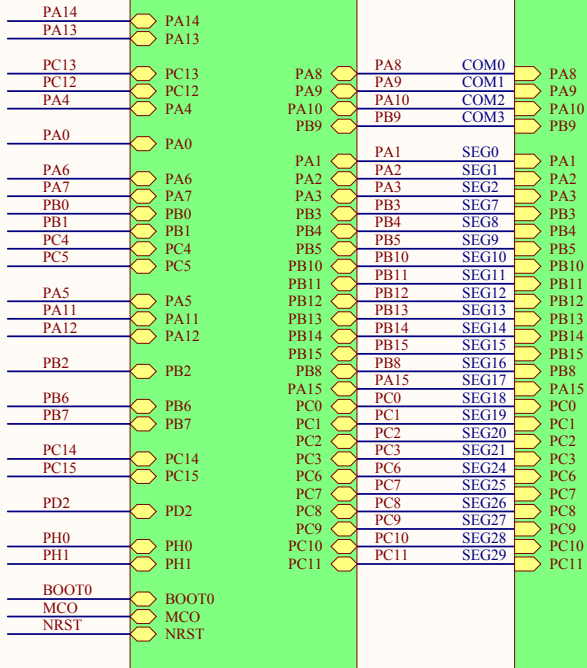
IDD_measurement.SchDoc
U Power

ST_LINK.SCHDOC
U_ST_LINK

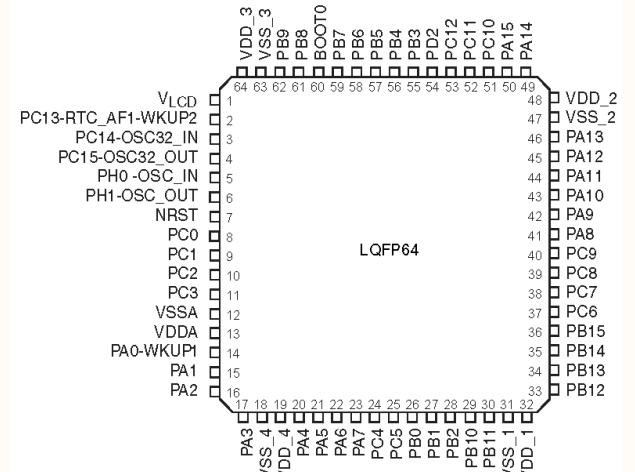


TCK/SWCLK
TMS/SWDIO
T_NRST
T_SWO

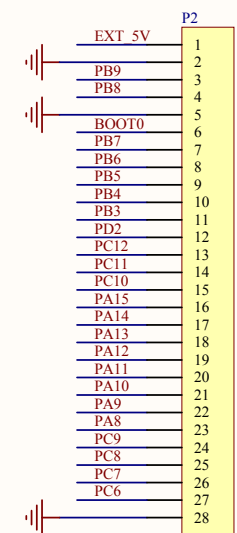
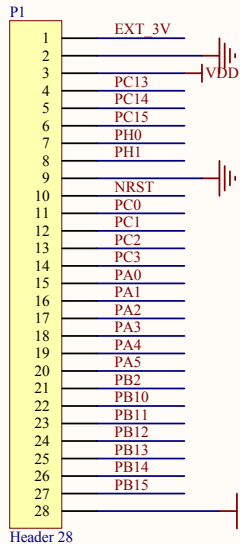
U_STM32L
STM32L.SchDoc



U_LCD_GH08172
LCD_GH08172.SchDoc



LQFP64



Rev C.1:
- Silkscreen update for the web site: "www.st.com/stm32l152c-discovery"
- MCU replacement by STM32L152RCT6

STMicroelectronics

Title: **STM32L1-DISCOVERY**

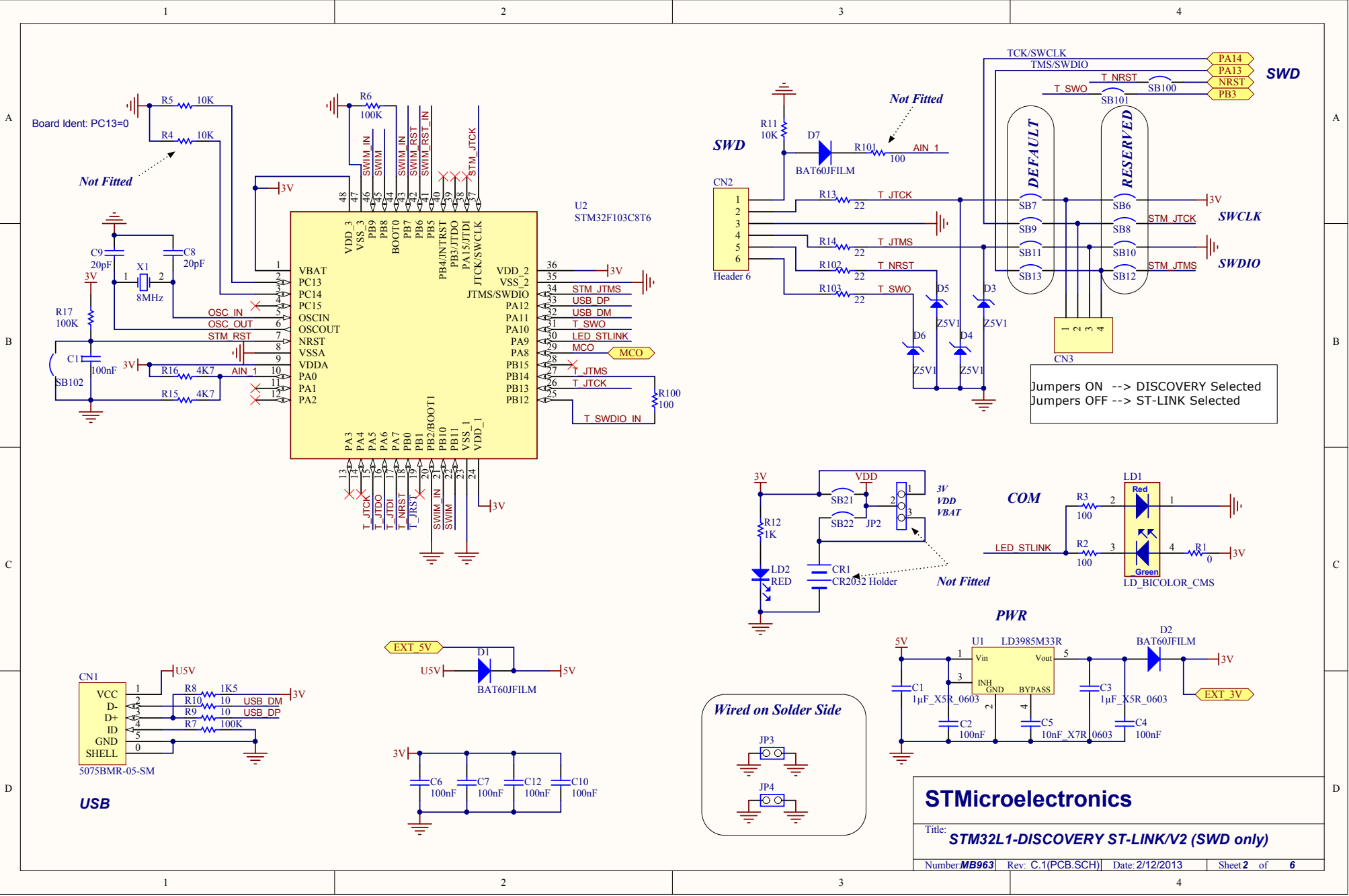
Number **MB963** | Rev: C.1(PCB.SCH) | Date: 2/15/2013 | Sheet 1 of 6

1

2

3

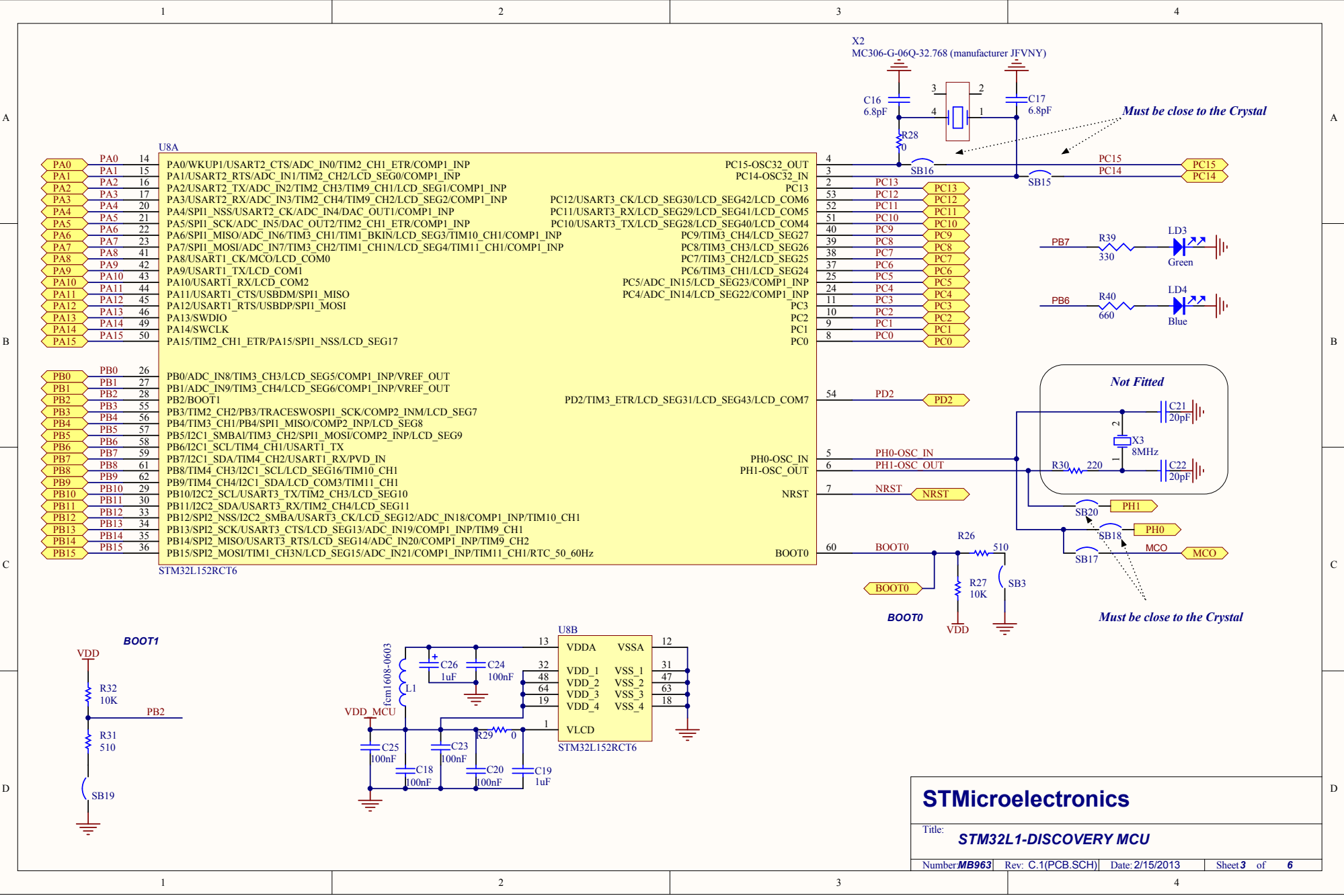
4



STMicroelectronics

Title: **STM32L1-DISCOVERY ST-LINK/V2 (SWD only)**

Number **MB963** | Rev: C.1(PCB.SCH) | Date: 2/12/2013 | Sheet **2** of **6**



USA		
PA0	PA0	14
PA1	PA1	15
PA2	PA2	16
PA3	PA3	17
PA4	PA4	20
PA5	PA5	21
PA6	PA6	22
PA7	PA7	23
PA8	PA8	41
PA9	PA9	42
PA10	PA10	43
PA11	PA11	44
PA12	PA12	45
PA13	PA13	46
PA14	PA14	49
PA15	PA15	50

PB0	PB0	26
PB1	PB1	27
PB2	PB2	28
PB3	PB3	55
PB4	PB4	56
PB5	PB5	57
PB6	PB6	58
PB7	PB7	59
PB8	PB8	61
PB9	PB9	62
PB10	PB10	29
PB11	PB11	30
PB12	PB12	33
PB13	PB13	34
PB14	PB14	35
PB15	PB15	36

PC0	PC0	8
PC1	PC1	9
PC2	PC2	10
PC3	PC3	11
PC4	PC4	24
PC5	PC5	25
PC6	PC6	37
PC7	PC7	38
PC8	PC8	39
PC9	PC9	40
PC10	PC10	51
PC11	PC11	52
PC12	PC12	53
PC13	PC13	54
PC14	PC14	3
PC15	PC15	4

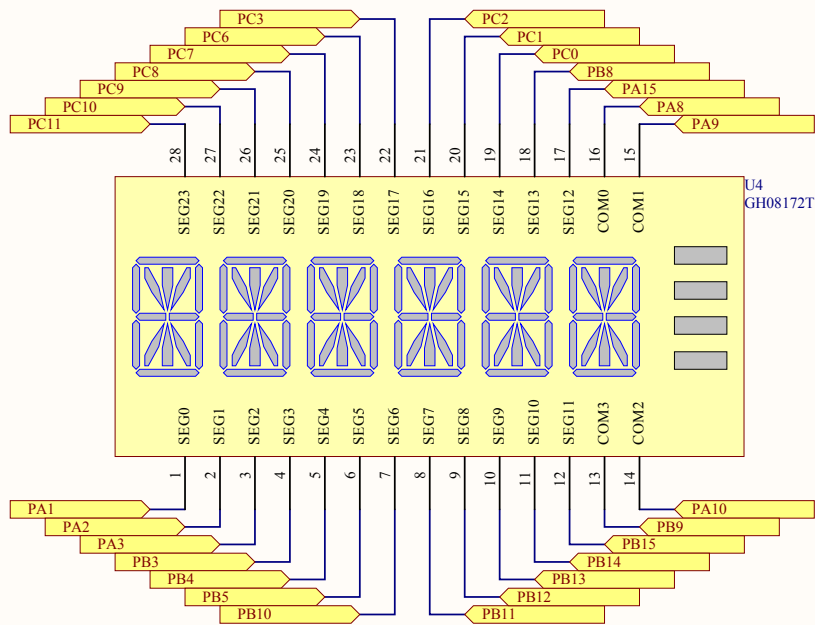
PD2	PD2	54
PH1	PH1	5
PH0	PH0	6
MCO	MCO	7
BOOT0	BOOT0	60

STMicroelectronics

Title: **STM32L1-DISCOVERY MCU**

Number: **MB963** | Rev: C.1(PCB.SCH) | Date: 2/15/2013 | Sheet **3** of **6**

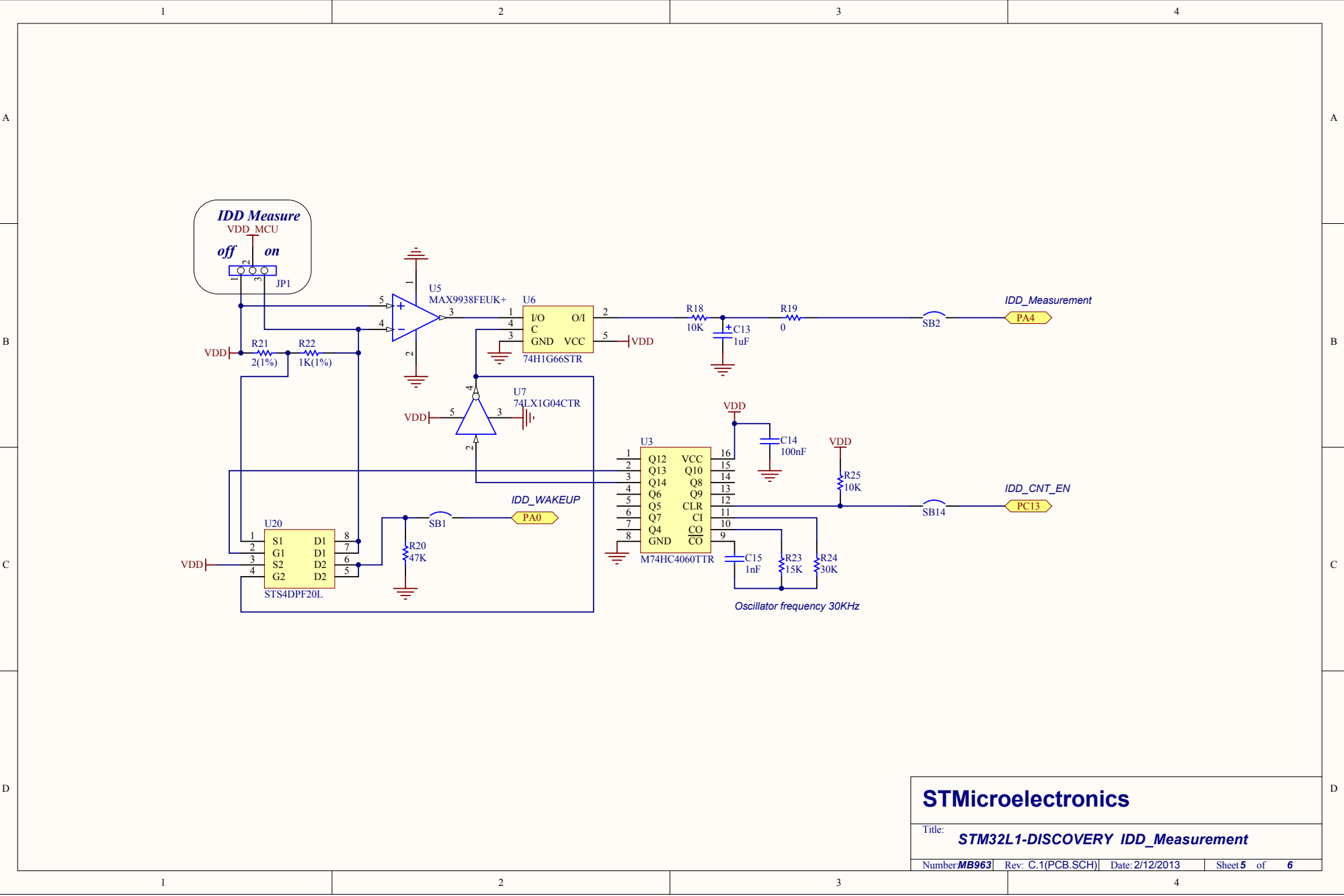
LCD



STMicroelectronics

Title: **STM32L1-DISCOVERY LCD**

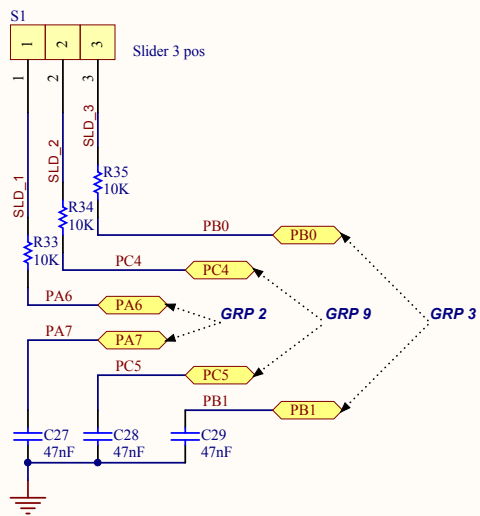
Number: **MB963** | Rev: C.1(PCB.SCH) | Date: 2/12/2013 | Sheet **4** of **6**



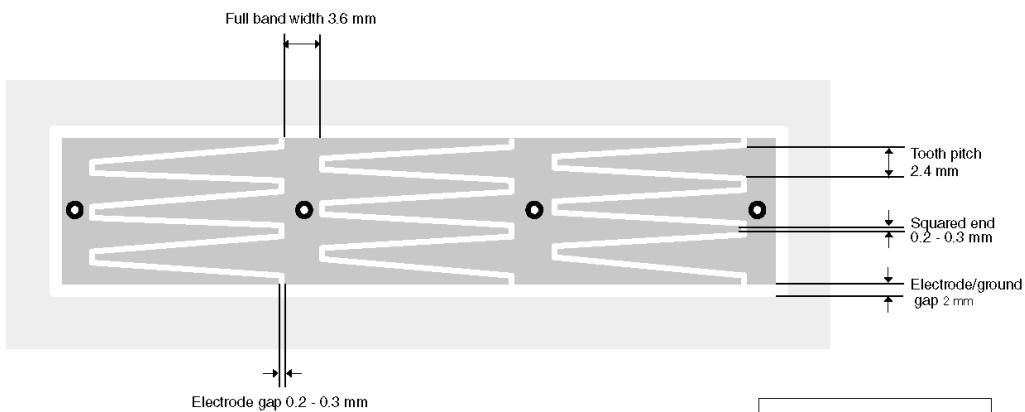
STMicroelectronics

Title: **STM32L1-DISCOVERY IDD_Measurement**

Number: **MB963** | Rev: C.1(PCB.SCH) | Date: 2/12/2013 | Sheet **5** of **6**



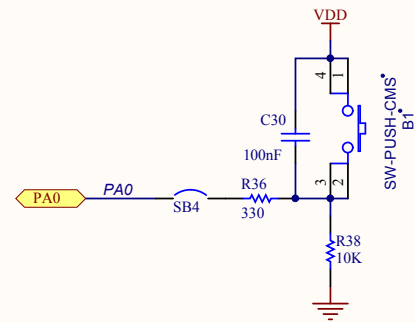
SLIDER 3 Positions



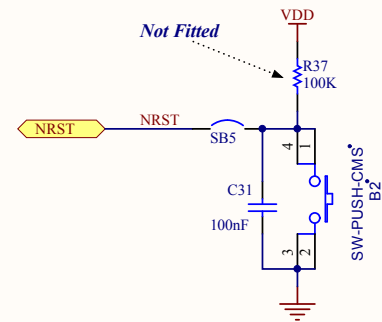
Interlaced slider with three elements (up to 60 mm long)

LEGEND:

- Via between layers
- 10 % meshed ground plane
- Copper electrode



USER & WAKE-UP Button



RESET Button

STMicroelectronics

Title: **STM32L1-DISCOVERY Linear Sensor and Push Button**

Number: **MB963** | Rev: C.1(PCB.SCH) | Date: 2/12/2013 | Sheet **6** of **6**