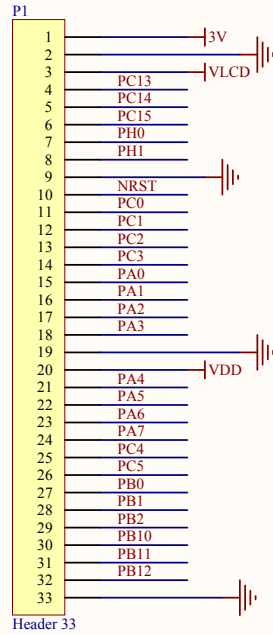
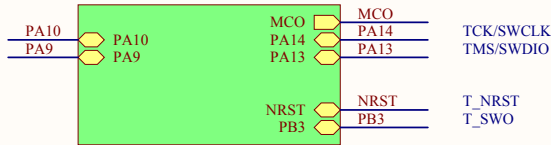
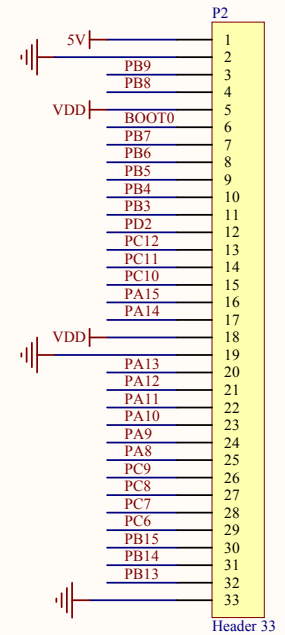
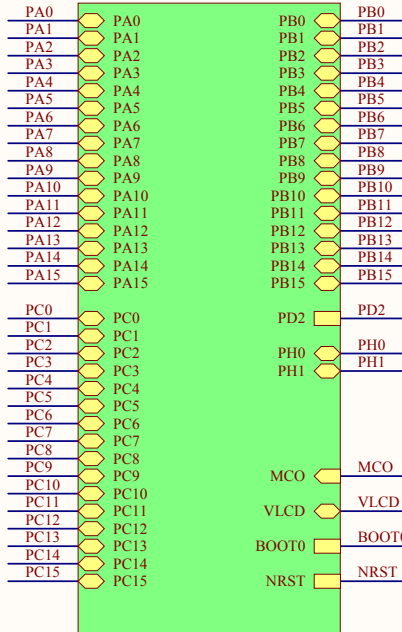


ST_LINK_V2.SCHDOC
U_ST_LINK



U_STM32L100RCT6
STM32L100RCT6.SchDoc



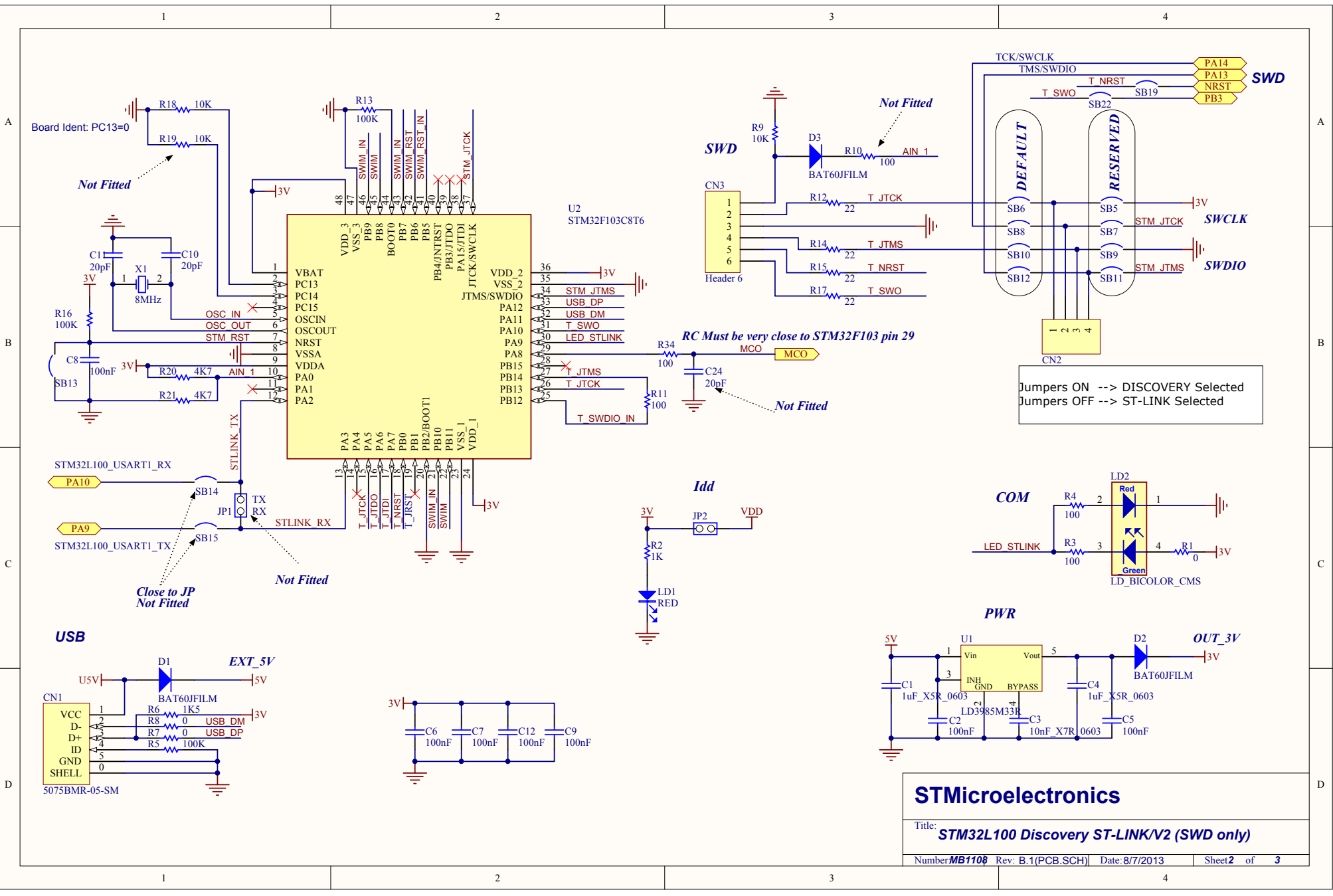
RevB.1 --> increased PADS of P1 & P2 for easying PCB manufacture.

RevA.1 --> PCB label MB1108 Rev. A

STMicroelectronics

Title: **STM32L100 Discovery**

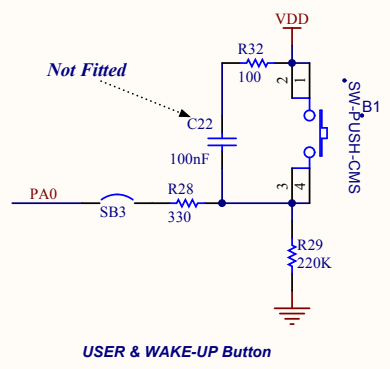
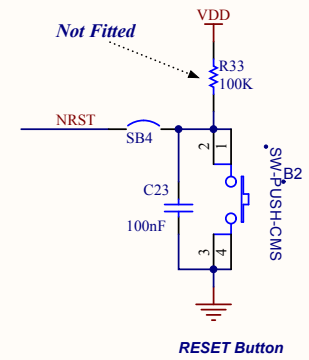
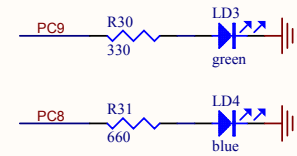
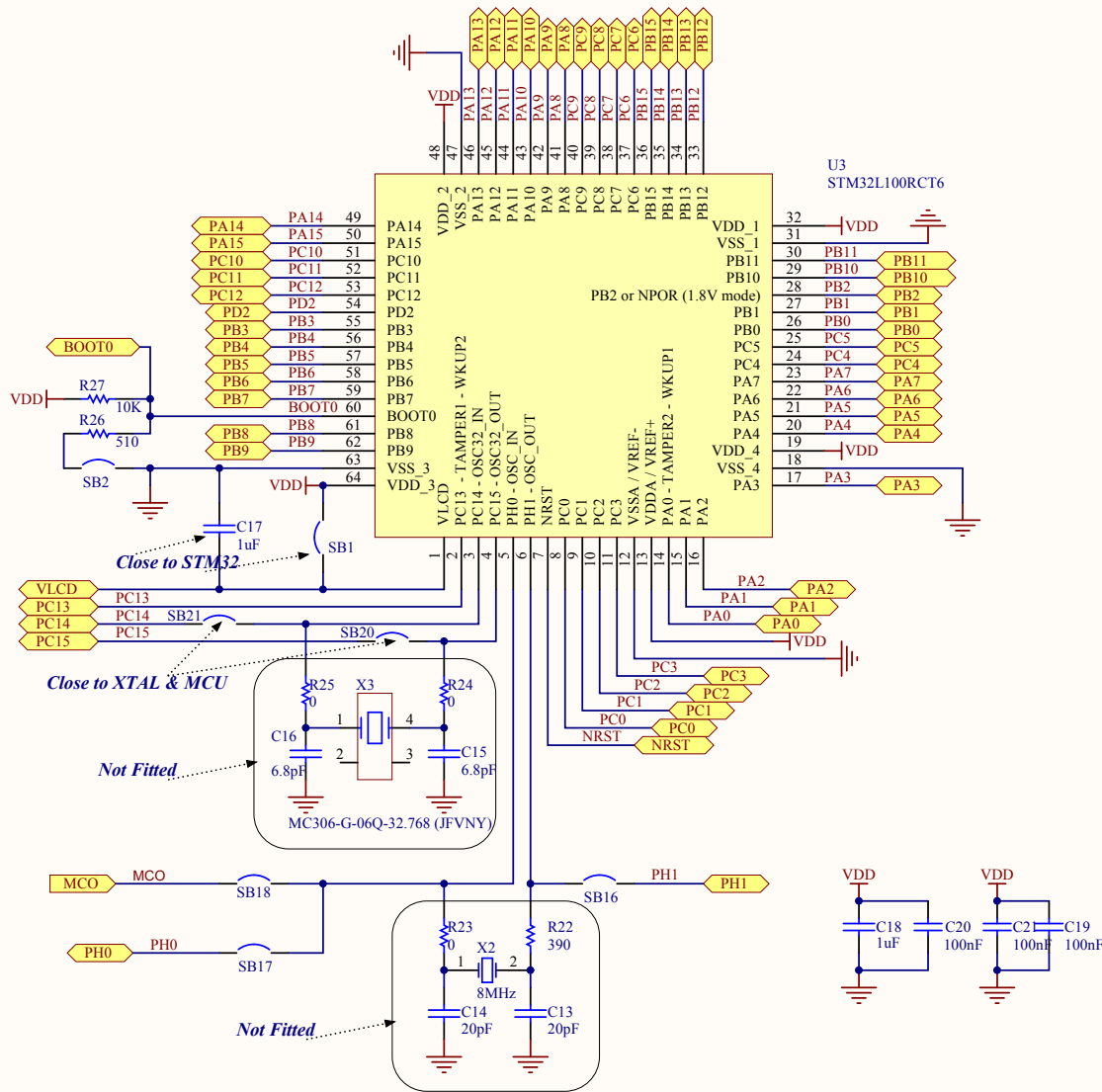
Number **MB1108** Rev: B.1(PCB.SCH) Date: 7/1/2013 Sheet **1** of **3**



STMicroelectronics

Title: **STM32L100 Discovery ST-LINK/V2 (SWD only)**

Number **MB1108** Rev: B.1(PCB.SCH) Date: 8/7/2013 Sheet 2 of 3



STMicroelectronics

Title: **STM32L100 Discovery MCU**

Number **MB1108** Rev: B.1(PCB.SCH) Date: 7/1/2013 Sheet **3** of **3**

1

2

3

4

1

2

3

4