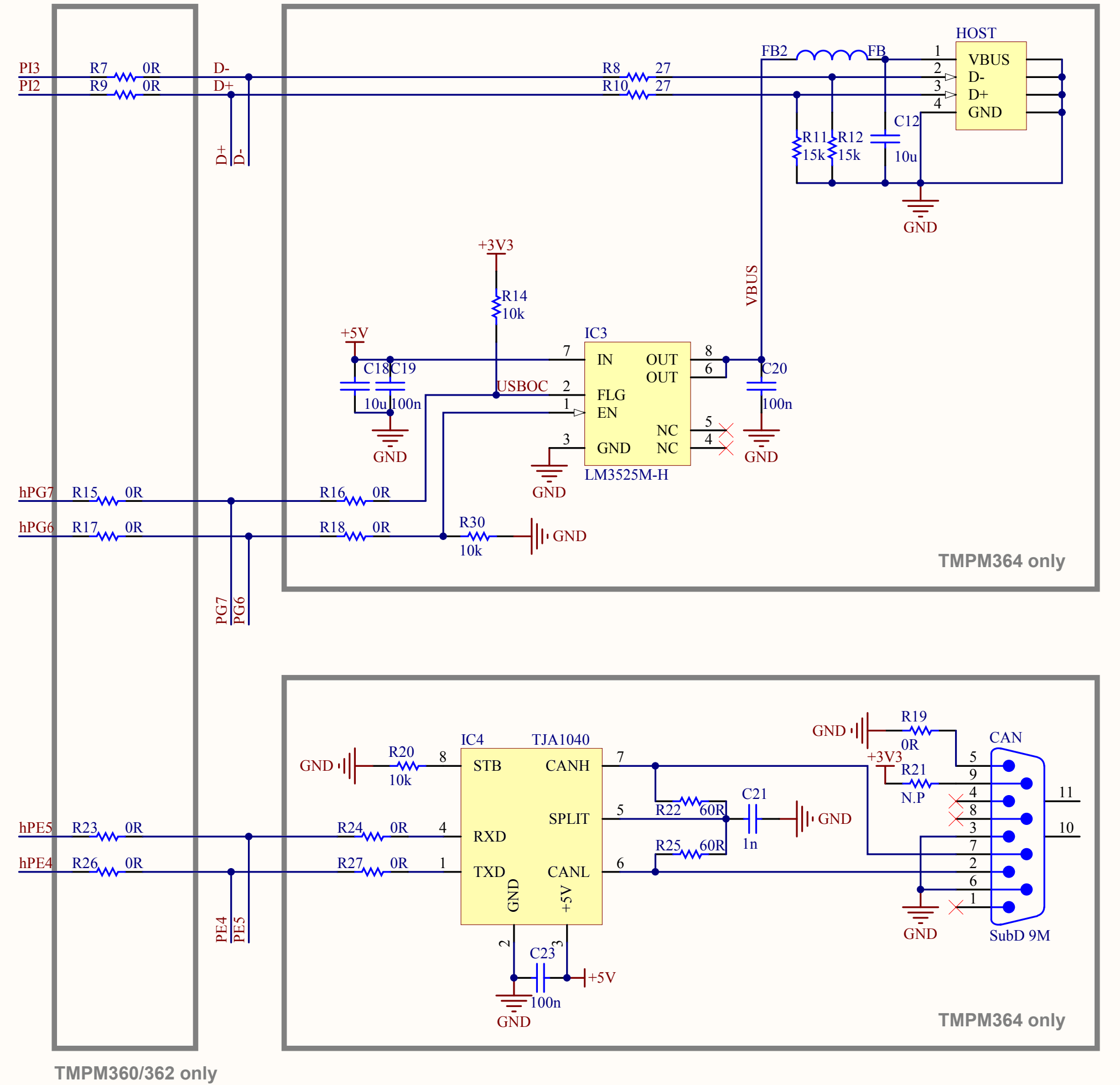
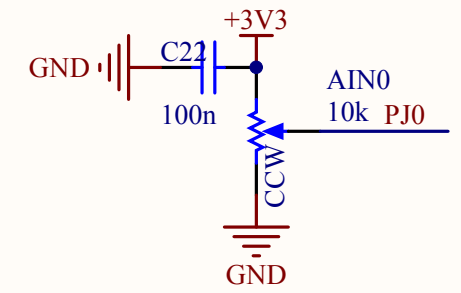
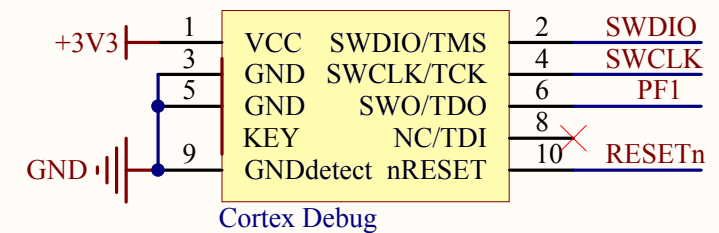
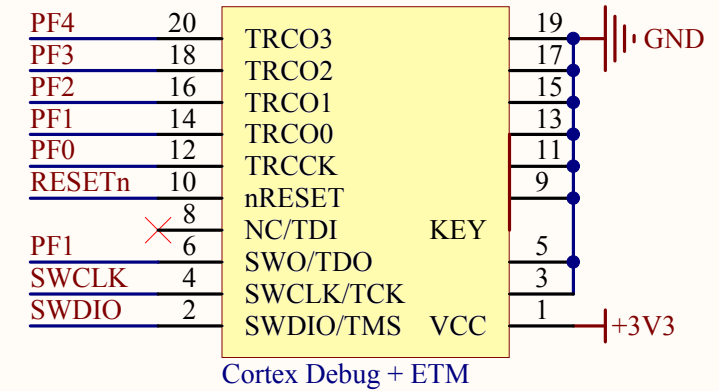
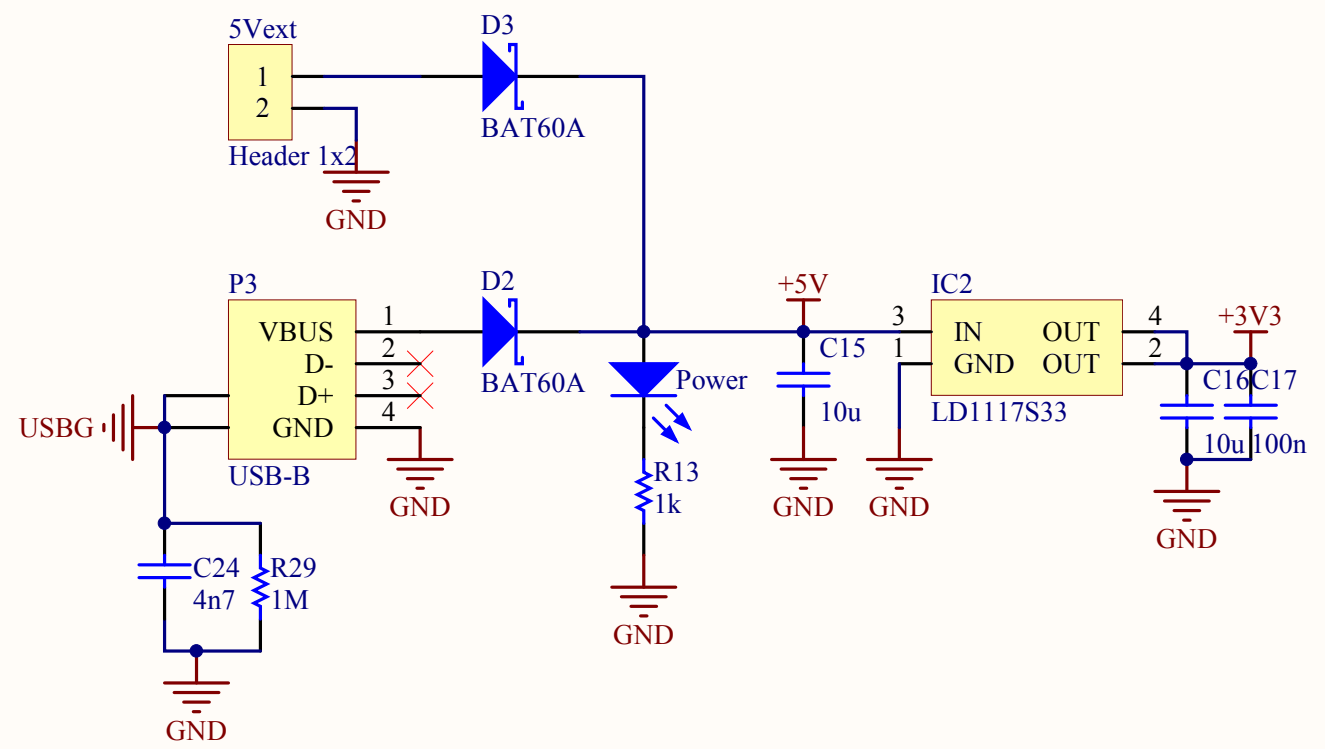


**MCBTMPM360**

TMPM364F10G.SchDoc  
 Size: A4  
 Date: 17.12.2010

Revision: 1.1  
 Sheet 1 of 3  
 Web: www.keil.com





TMPM360/362 only

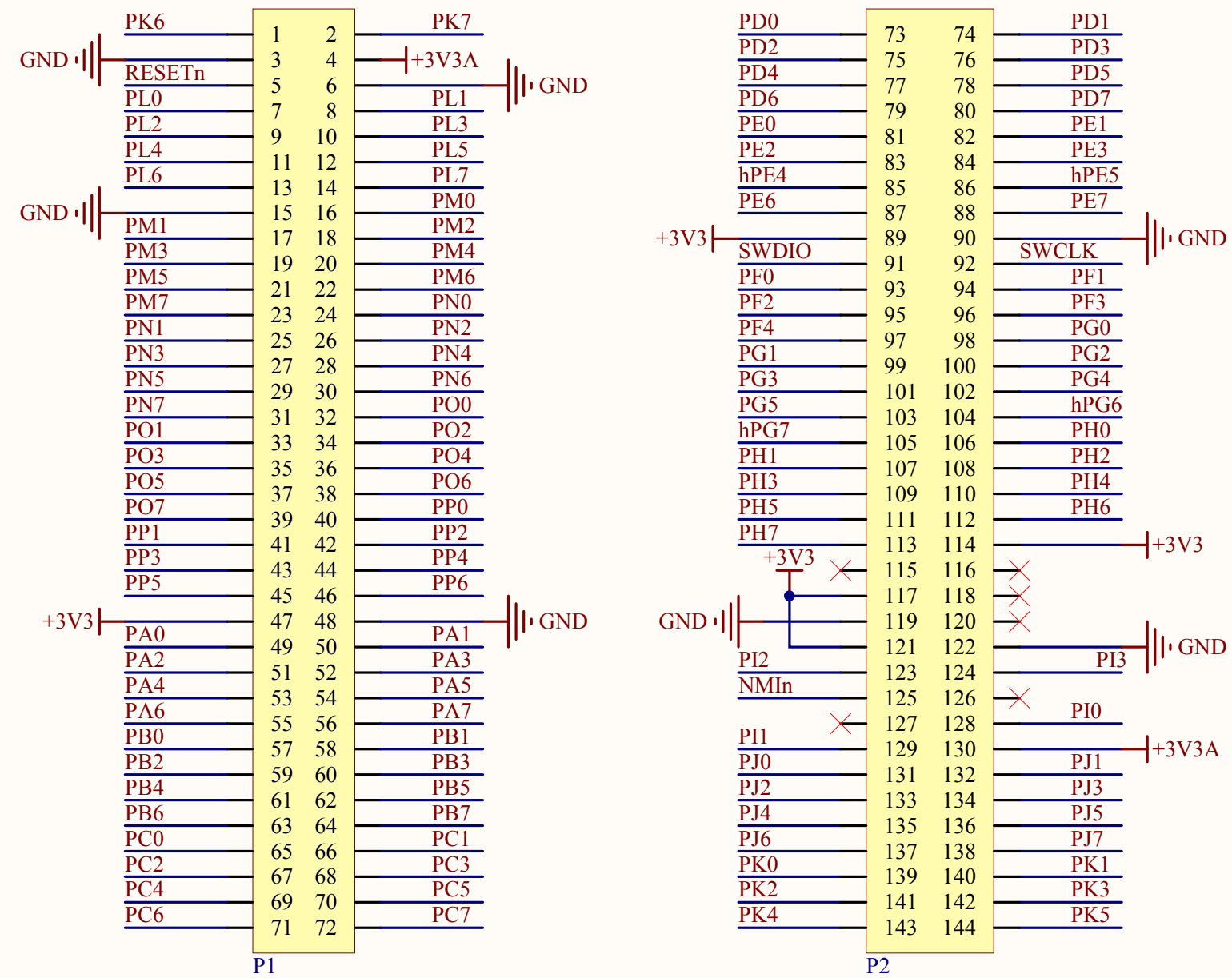
TMPM364 only

TMPM364 only

# MCBTMPM360

USB, CAN, POWER.sch	Revision: 1.1
Size: A4	Sheet 2 of 3
Date: 17.12.2010	Web: www.keil.com





Changes from revision 1.0 to 1.1:

- added PF1 (SWO) signal to pin 6 of Cortex-Debug and Cortex-Debug+ETM connector
- moved the Cortex-Debug and Cortex-Debug+ETM connectors to slightly different positions
- replaced SMT CAN connector with a through-hole version
- exchanged USB power switch LM3526M-L with LM3525M-H
- changed R30 from a pull-up to a pull-down resistor.

<b>MCBTMPM360</b>		
Headers.SchDoc	Revision: 1.1	
Size: A4	Sheet 3 of 3	
Date: 17.12.2010	Web: www.keil.com	